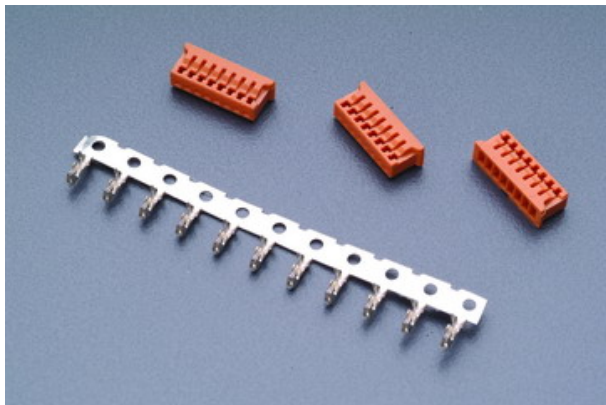


11251 SERIES

.049" (1.25mm) PITCH WIRE TO BOARD CONNECTOR



Specifications

Current rating: 1A AC,DC

Voltage rating: 30V AC,DC

Temperature range: -25°C to $+85^{\circ}\text{C}$
(including temperature rise)

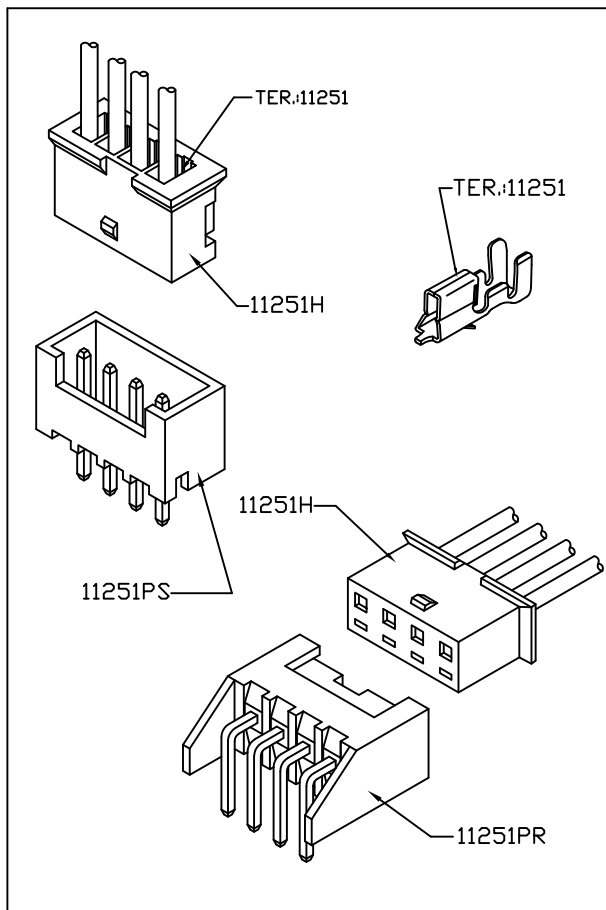
Contact resistance: Initial value/ $10\text{m}\Omega$ Max.

After environmental testing/ $20\text{m}\Omega$ Max.

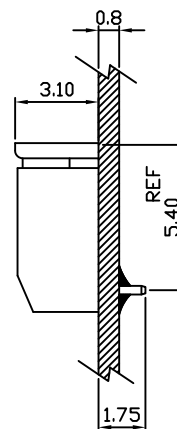
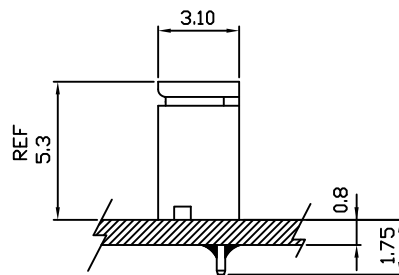
Insulation resistance: $1000\text{M}\Omega$ MIN.

Withstanding voltage: 1000V AC/minute

Applicable wire: AWG#28-32



Assembly layout

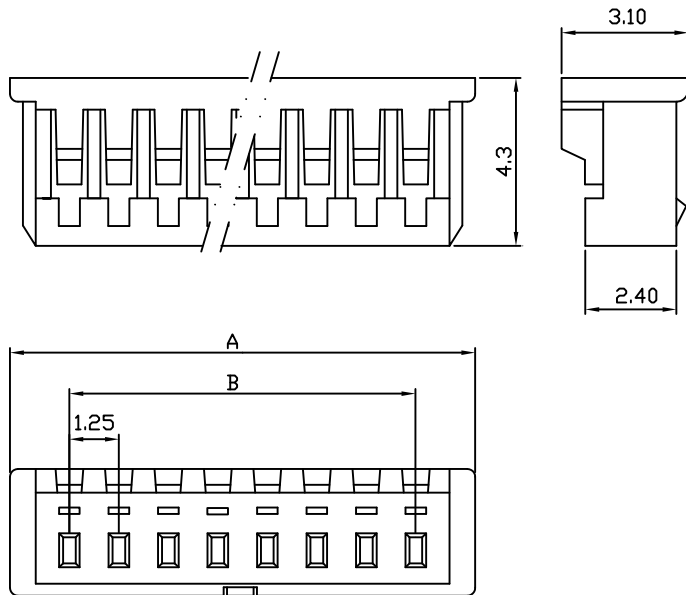


11251H .049" (1.25mm) PITCH HOUSING

unit:mm

Features:

- * MAT'L: NYLON 66 UL94V-0
- * MATES WITH: 11251 SERIES TERMINAL
- * ACCEPTS WITH: 11251PS 11251PR SERIES WAFER



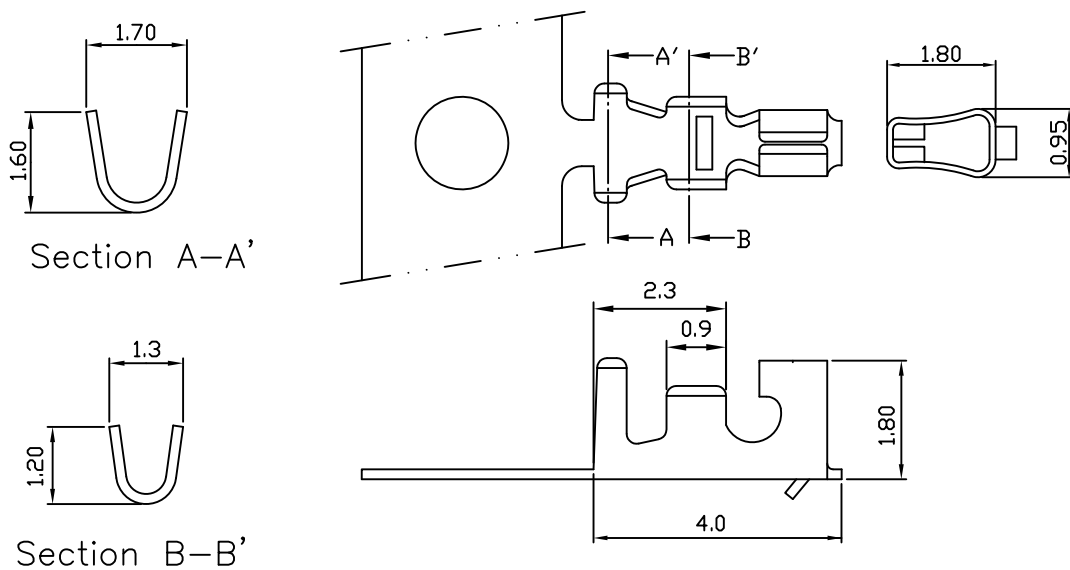
PRAT NO.	A	B
11251H-02	3.95	1.25
11251H-03	5.20	2.50
11251H-04	6.45	3.75
11251H-05	7.70	5.00
11251H-06	8.95	6.25
11251H-07	10.20	7.50
11251H-08	11.45	8.75
11251H-09	12.70	10.00
11251H-10	13.95	11.25
11251H-11	15.20	12.50
11251H-12	16.45	13.75
11251H-13	17.70	15.00
11251H-14	18.95	16.25
11251H-15	20.20	17.50

11251 .049" (1.25mm) PITCH TERMINAL

unit:mm

Features:

- * THICKNESS: 0.15mm
- * MAT'L: PHOSPHOR BRONZE TIN PLATED
- * MATES WITH: 11251H SERIES HOUSING



PART NO.	WIRE RANGE	MATERIAL	FINISH	QTY/REEL
11251	AWG#18-32	phosphor bronze	Tin-plated	25,000

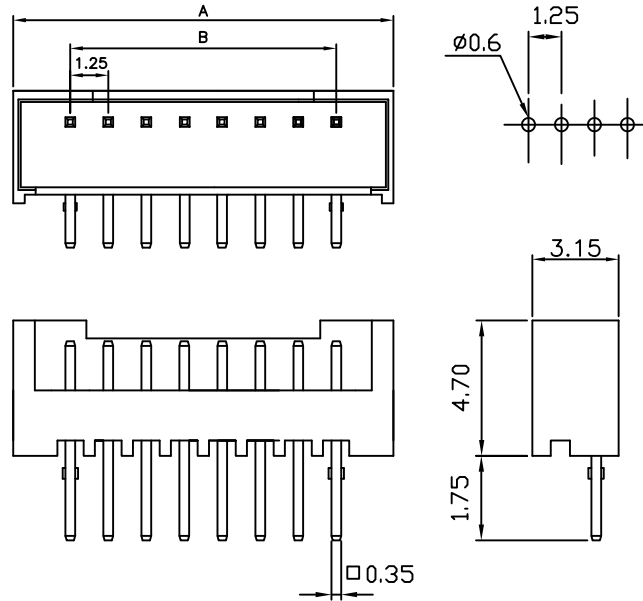
11251PS .049" (1.25mm) PITCH Headers—Straight

unit:mm

Features:

- * MAT'L:BODY: NYLON 66 UL94V-0
PINS: BRASS TIN PLATED
- * MATES WITH: 11251H SERIES HOUSING
- * ACCEPTS WITH: 11251 SERIES TERMINAL

PRAT NO.	A	B
11251PS-02	4.3	1.25
11251PS-03	5.55	2.50
11251PS-04	6.80	3.75
11251PS-05	8.05	5.00
11251PS-06	9.30	6.25
11251PS-07	10.55	7.50
11251PS-08	11.80	8.75
11251PS-09	13.05	10.00
11251PS-10	14.30	11.25
11251PS-11	15.55	12.50
11251PS-12	16.80	13.75
11251PS-13	18.05	15.00
11251PS-14	19.30	16.25
11251PS-15	20.55	17.50



11251PR .049" (1.25mm) PITCH Headers—Right Angle

unit:mm

Features:

- * MAT'L:BODY: NYLON 66 UL94V-0
PINS: BRASS TIN PLATED
- * MATES WITH: 11251H SERIES HOUSING
- * ACCEPTS WITH: 11251 SERIES TERMINAL

PRAT NO.	A	B
11251PR-02	4.25	1.25
11251PR-03	5.55	2.50
11251PR-04	6.75	3.75
11251PR-05	8.00	5.00
11251PR-06	9.25	6.25
11251PR-07	10.5	7.50
11251PR-08	11.75	8.75
11251PR-09	13.0	10.00
11251PR-10	14.25	11.25
11251PR-11	15.5	12.50
11251PR-12	16.75	13.75
11251PR-13	18.0	15.00
11251PR-14	19.25	16.25
11251PR-15	20.50	17.50

