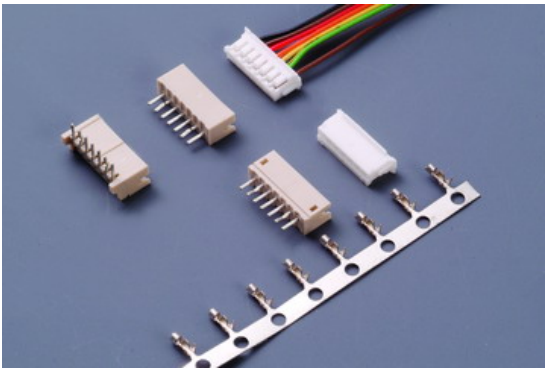


1510H SERIES

— .059" (1.50mm) PITCH WIRE TO BOARD CONNECTOR —



Specifications

Current rating: 1A AC, DC

Voltage rating: 100V AC, DC

Temperature range: -25°C to $+85^{\circ}\text{C}$
(including temperature rise)

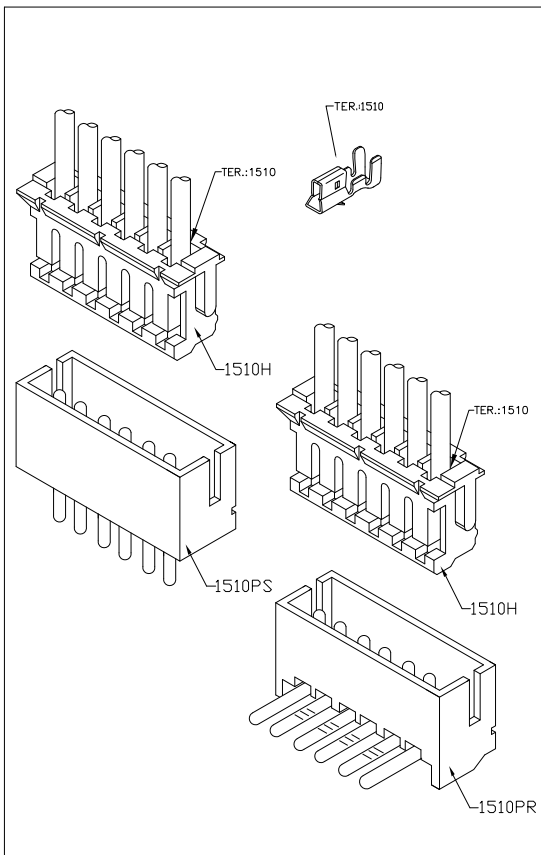
Contact resistance: Initial value/10 $\text{m}\Omega$ Max.

After environmental testing/20 $\text{m}\Omega$ Max.

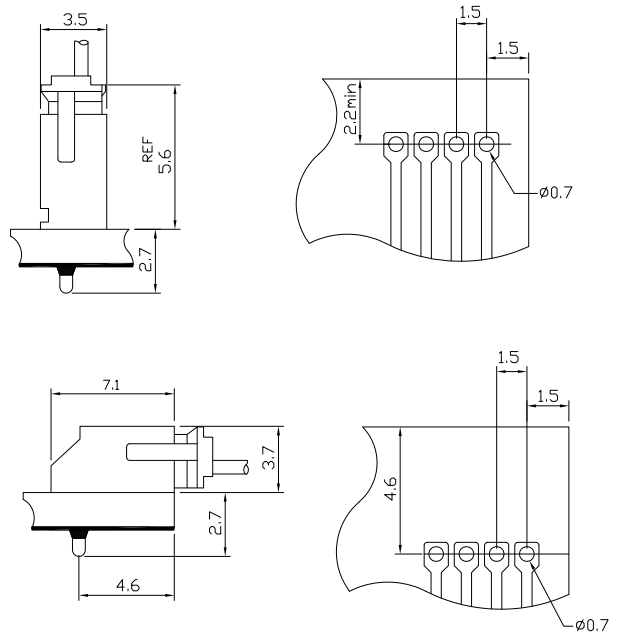
Insulation resistance: 500 $\text{M}\Omega$ MIN.

Withstanding voltage: 500V AC/minute

Applicable wire: AWG#26-32



Side enter type

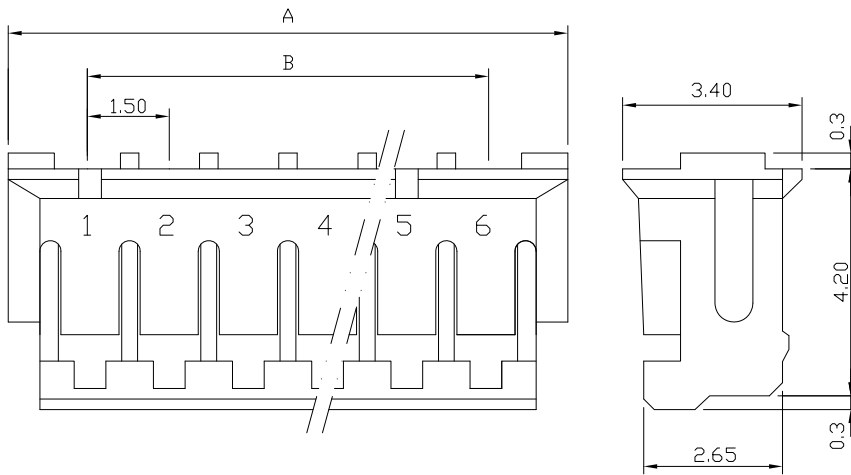


1510H .059" (1.50mm) PITCH HOUSING

Features:

- * MAT'L: NYLON 66 UL94V-0
- * MATES WITH: 1510 SERIES TERMINAL
- * ACCEPTS WITH: 1510PS & 1510PR SERIES WAFER

unit:mm



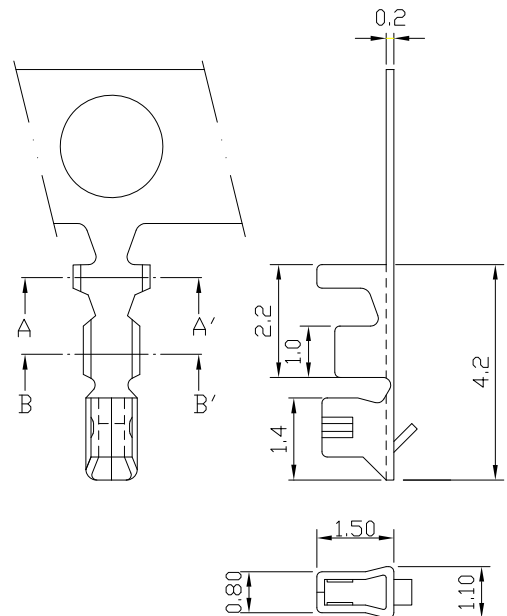
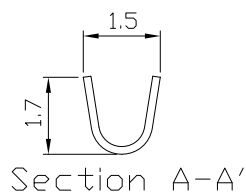
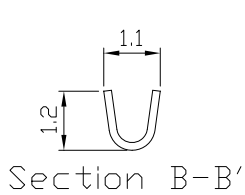
PART NO.	A	B
1510H-02	4.5	1.5
1510H-03	6.0	3.0
1510H-04	7.5	4.5
1510H-05	9.0	6.0
1510H-06	10.5	7.5
1510H-07	12.0	9.0
1510H-08	13.5	10.5
1510H-09	15.0	12.0
1510H-10	16.5	13.5
1510H-11	18.0	15.0
1510H-12	19.5	16.5
1510H-13	21.0	18.0

1510 .059" (1.50mm) PITCH CRIMP TERMINAL

Features:

- * THICKNESS: 0.2mm
- * MAT'L: PHOSPHOR BRONZE TIN PLATED
- * MATES WITH: 1510H SERIES HOUSING

unit:mm



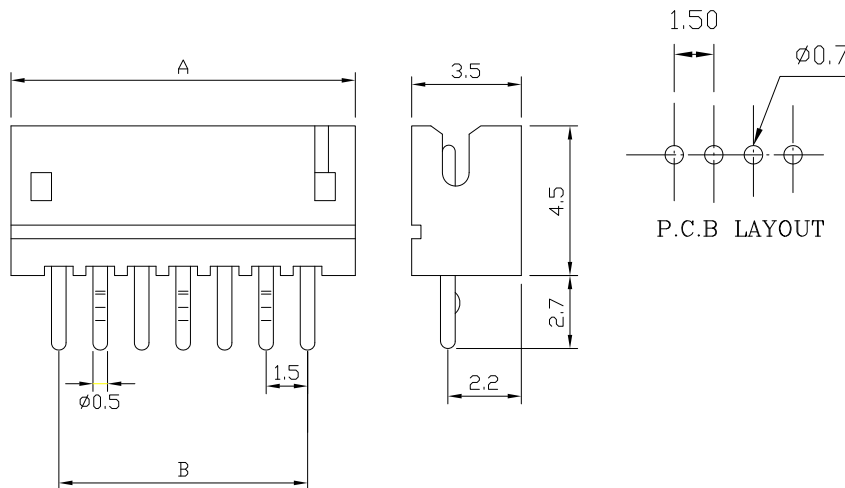
PART NO.	WIRE RANGE	INSUATION O.D.	MATERIAL	FINISH	QTY/REEL
1510	AWG#28-#26	ø1.35mm max	PHOSPHOR BRONZE	Tin-plated	15000
1511	AWG#32-#28	ø1.25mm max	PHOSPHOR BRONZE	Tin-plated	16000

1510PS .059" (1.50mm) PITCH Headers-Straight

unit:mm

Features:

- * MAT'L: BODY: NYLON 66 UL94V-0
PINS: BRASS TIN PLATED
- * MATES WITH : 1510H SERIES HOUSING
- * ACCEPTS WITH: 1510 SERIES TERMINAL



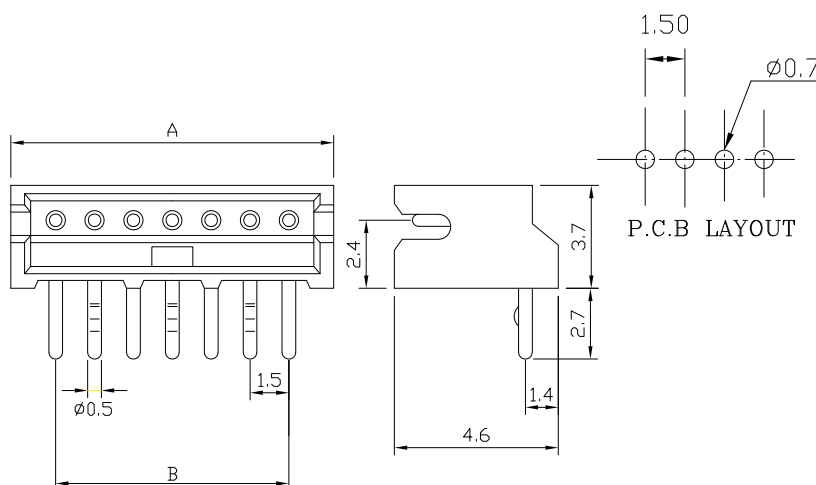
PART NO.	A	B
1510PS-02	4.5	1.5
1510PS-03	6.0	3.0
1510PS-04	7.5	4.5
1510PS-05	9.0	6.0
1510PS-06	10.5	7.5
1510PS-07	12.0	9.0
1510PS-08	13.5	10.5
1510PS-09	15.0	12.0
1510PS-10	16.5	13.5
1510PS-11	18.0	15.0
1510PS-12	19.5	16.5
1510PS-13	21.0	18.0

1510PR .059" (1.50mm) PITCH Headers-Right Angle

unit:mm

Features:

- * MAT'L: BODY: NYLON 66 UL94V-0
PINS: BRASS TIN PLATED
- * MATES WITH : 1510H SERIES HOUSING
- * ACCEPTS WITH: 1510 SERIES TERMINAL



PART NO.	A	B
1510PR-02	4.5	1.5
1510PR-03	6.0	3.0
1510PR-04	7.5	4.5
1510PR-05	9.0	6.0
1510PR-06	10.5	7.5
1510PR-07	12.0	9.0
1510PR-08	13.5	10.5
1510PR-09	15.0	12.0
1510PR-10	16.5	13.5
1510PR-11	18.0	15.0
1510PR-12	19.5	16.5
1510PR-13	21.0	18.0