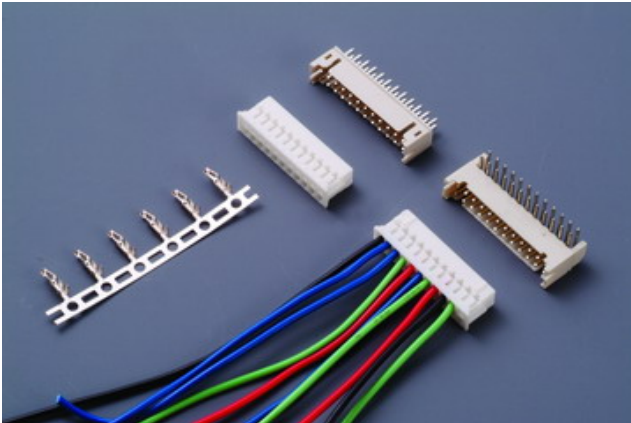


2220H SERIES

.079" (2.0mm) PITCH WIRE TO BOARD CONNECTOR



Specifications

Current rating: 1A AC,DC

Voltage rating: 100V AC,DC

Temperature range: -25°C to $+85^{\circ}\text{C}$
(including temperature rise)

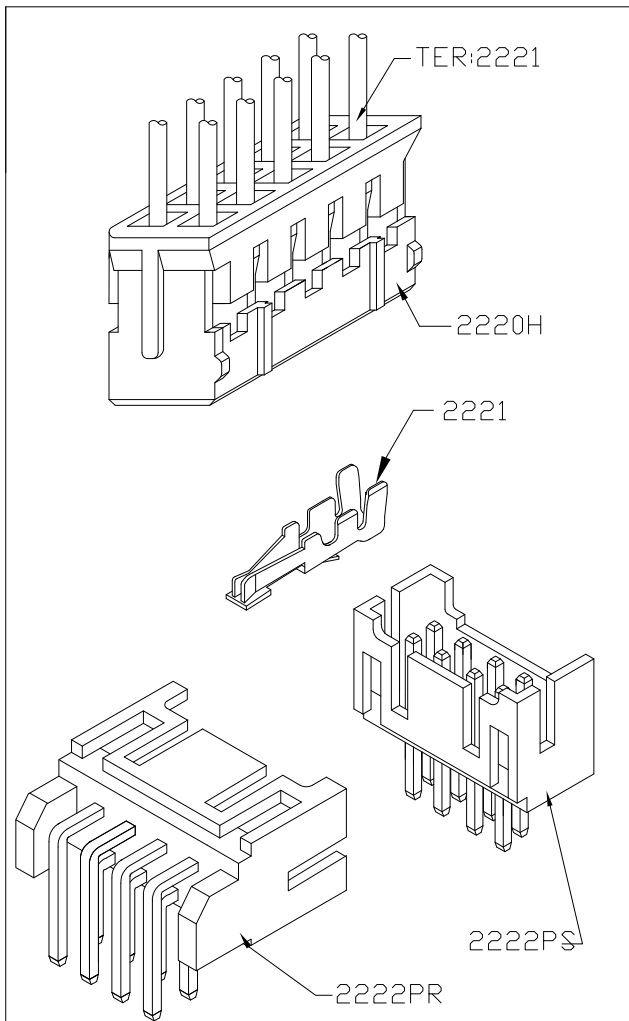
Contact resistance: Initial value/ $20\text{m}\Omega$ Max.

After environmental testing/ $20\text{m}\Omega$ Max.

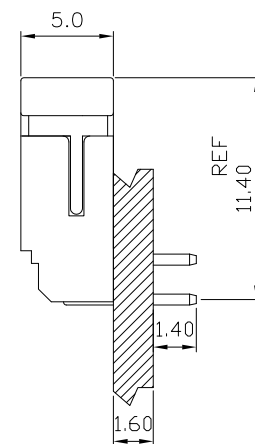
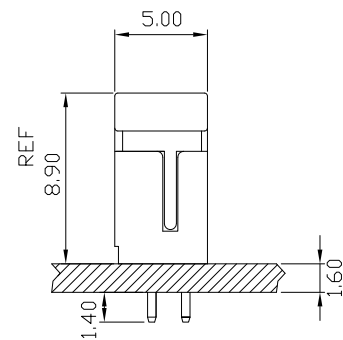
Insulation resistance: $1000\text{M}\Omega$ MIN.

Withstanding voltage: 800V AC /minute

Applicable wire: AWG#24-28



Assembly layout

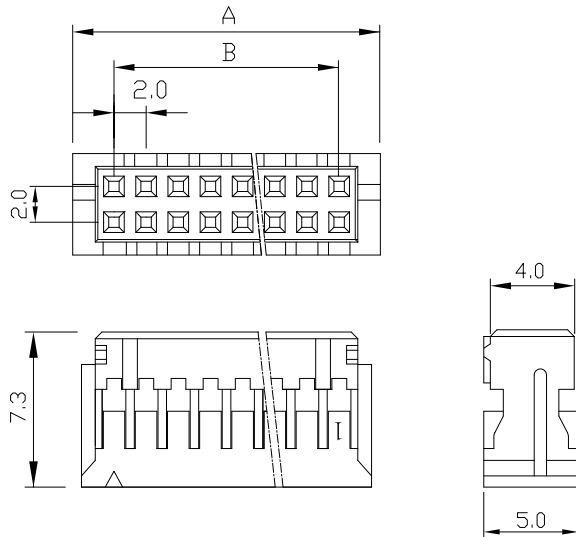


2220H .079" (2.0mm) PITCH HOUSING

unit:mm

Features:

- * MAT'L: NYLON 66 UK 94V-0
- * MATES WITH: 2221 SERIES TERMINAL
- * ACCEPTS WITH: 2222PS & 2222PR SERIES WAFER



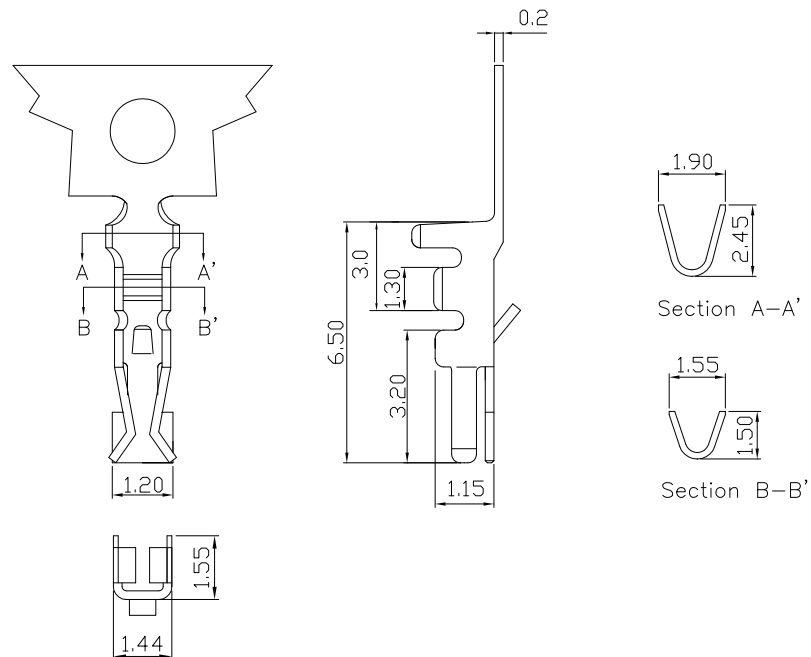
MODEL NO.	DIMENSIONS	
	A	B
2220H-2x2	5.9	2.00
2220H-2x3	7.90	4.00
2220H-2x4	9.90	6.00
2220H-2x5	11.90	8.00
2220H-2x6	13.90	10.00
2220H-2x7	15.90	12.00
2220H-2x8	17.90	14.00
2220H-2x9	19.90	16.00
2220H-2x10	21.90	18.00
2220H-2x11	23.90	20.00
2220H-2x12	25.90	22.00
2220H-2x13	27.90	24.00
2220H-2x14	29.90	26.00
2220H-2x15	31.90	28.00
2220H-2x16	33.90	30.00

2221 .079" (2.0mm) PITCH TERMINAL

unit:mm

Features:

- * THICKNESS: 0.20mm
- * MATES WITH: 2220 SERIES HOUSING
- * ACCEPTS WITH: 2222PS 2222PR SERIES WAFER



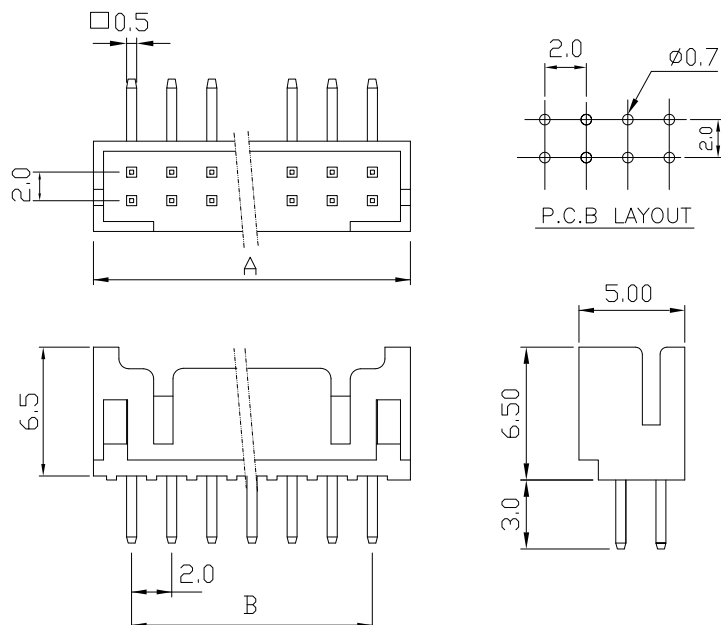
Part No	Wire Range	Insulation O.D.	Material	Finish	Qty/reel
2221	AWG#24-28	1.60mm(max)	Phosphor Bronze	Tin-plated	10,000

2222PS .079" (2.0mm) PITCH Headers—Straight

Features:

- * MAT'L: BODY: NYLON 66 UL 94V-0
PINS: BRASS TIN LATED
- * MATES WITH: 2221 SERIES TERMINAL
- * ACCEPTS WITH: 2220H SERIES HOUSING

unit:mm

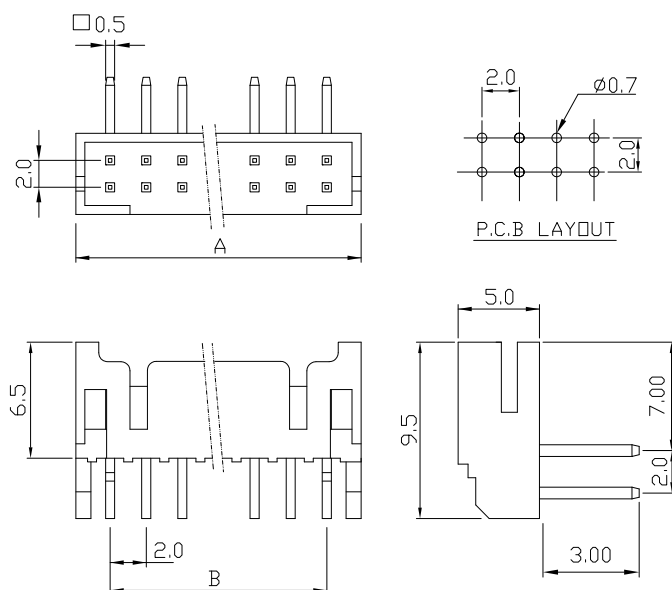


MODEL NO.	DIMENSIONS	
	A	B
2222PS-2x2	5.9	2.00
2222PS-2x3	7.90	4.00
2222PS-2x4	9.90	6.00
2222PS-2x5	11.90	8.00
2222PS-2x6	13.90	10.00
2222PS-2x7	15.90	12.00
2222PS-2x8	17.90	14.00
2222PS-2x9	19.90	16.00
2222PS-2x10	21.90	18.00
2222PS-2x11	23.90	20.00
2222PS-2x12	25.90	22.00
2222PS-2x13	27.90	24.00
2222PS-2x14	29.90	26.00
2222PS-2x15	31.90	28.00
2222PS-2x16	33.90	30.00

2222PR .079" (2.0mm) PITCH Headers—Right Angle

Features:

- * MAT'L: BODY: NYLON 66 UL 94V-0
PINS: BRASS TIN LATED
- * MATES WITH: 2221 SERIES TERMINAL
- * ACCEPTS WITH: 2220H SERIES HOUSING



MODEL NO	DIMENSIONS	
	A	B
2222PR-2x2	5.9	2.00
2222PR-2x3	7.90	4.00
2222PR-2x4	9.90	6.00
2222PR-2x5	11.90	8.00
2222PR-2x6	13.90	10.00
2222PR-2x7	15.90	12.00
2222PR-2x8	17.90	14.00
2222PR-2x9	19.90	16.00
2222PR-2x10	21.90	18.00
2222PR-2x11	23.90	20.00
2222PR-2x12	25.90	22.00
2222PR-2x13	27.90	24.00
2222PR-2x14	29.90	26.00
2222PR-2x15	31.90	28.00
2222PR-2x16	33.90	30.00