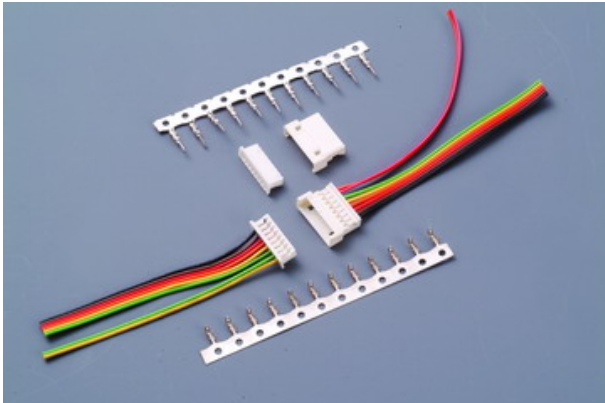


M125CH SERIES

.049" (1.25mm) WIRE TO WIRE CONNECTORS



Specifications

Current rating: 1A AC,DC

Voltage rating: 125V AC,DC

Temperature range: -25°C to $+85^{\circ}\text{C}$
(including temperature rise)

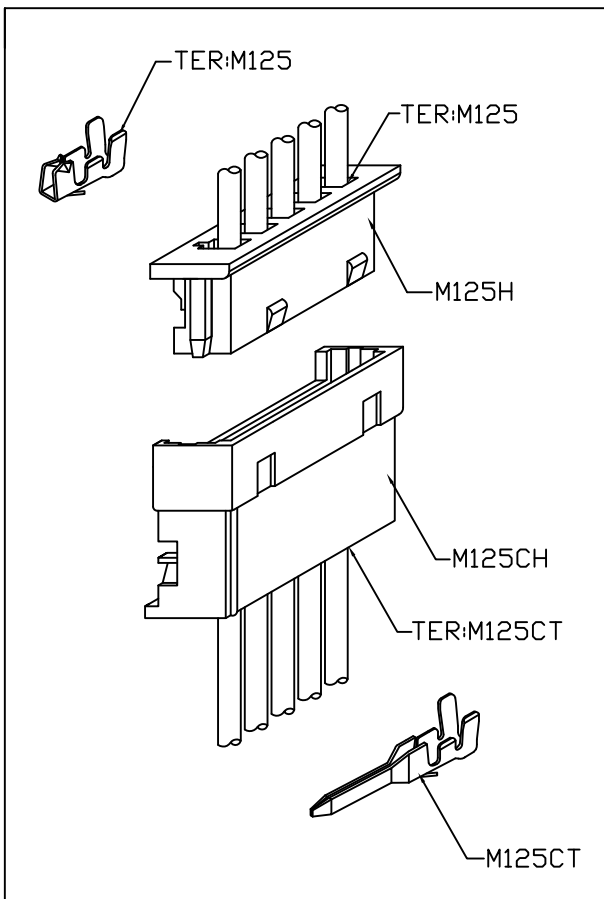
Contact resistance: Initial value/ $10\text{m}\Omega$ Max.

After environmental testing/ $20\text{m}\Omega$ Max.

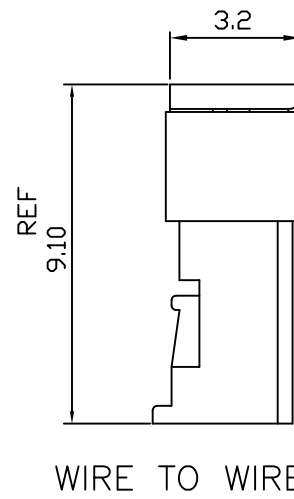
Insulation resistance: $500\text{M}\Omega$ MIN.

Withstanding voltage: 500V AC/minute

Applicable wire: AWG#28-26



Assembly layout

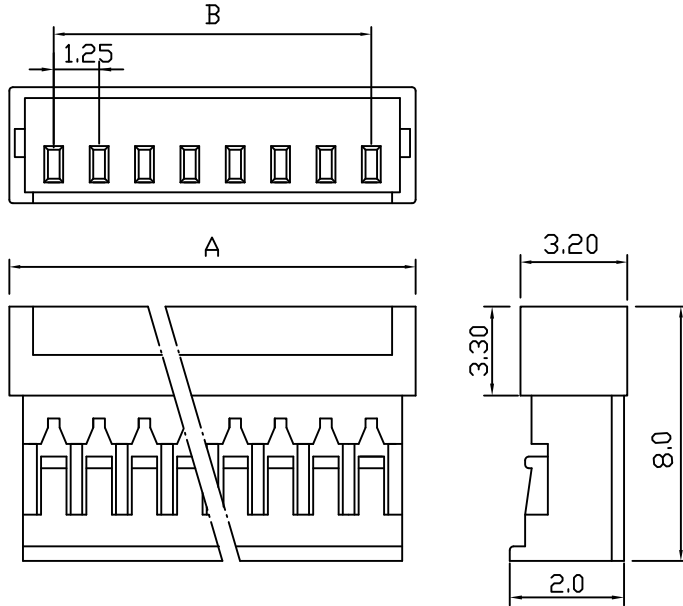


M125CH .049" (1.25mm) PITCH HOUSING

Features:

unit:mm

- * MAT'L: NYLON UL94V-0
- * MATES WITH: M125CT SERIES TERMINAL
- * ACCEPTS WITH: M125H SERIES HOUSING

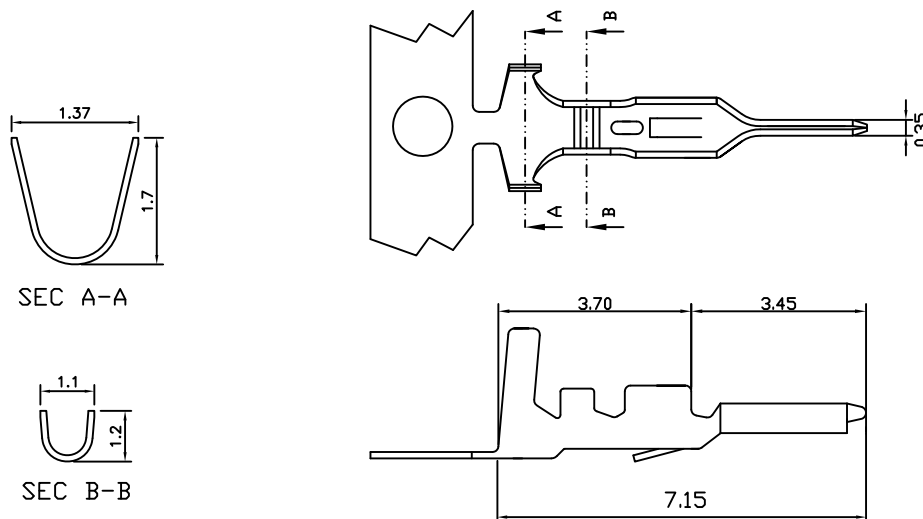


PART NO.	Dim A	Dim B
M125CH-02	7.75	1.25
M125CH-03	9.00	2.50
M125CH-04	10.25	3.75
M125CH-05	11.50	5.00
M125CH-06	12.75	6.25
M125CH-07	14.00	7.50
M125CH-08	15.25	8.75

M125CT .049" (1.25mm) PITCH TERMINAL

Features:

- * THICKNESS: 0.2mm
- * MAT'L: PHOSPHOR BRONZE TIN PLATED
- * MATES WITH: M125CH SERIES HOUSING



PART NO.	WIRE RANGE	INSULATION O.D.	MATERIAL	FINISH	QTY/REEL
M125CT	AWG#28-26	ø0.9mm MAX	PHOSPHOR BRONZE	Tin-plated	15,000