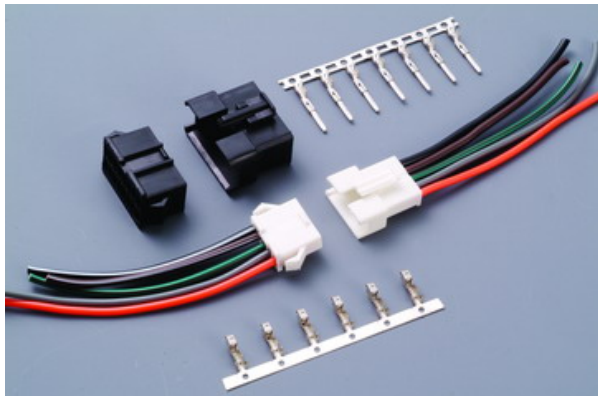


# 2501CH/2601CH SERIES

.098" (2.5mm) PITCH WIRE TO WIRE CONNECTOR



## Specifications

Current rating: 3A AC,DC

Voltage rating: 250V AC,DC

Temperature range: -25°C to +85°C  
(including temperature rise)

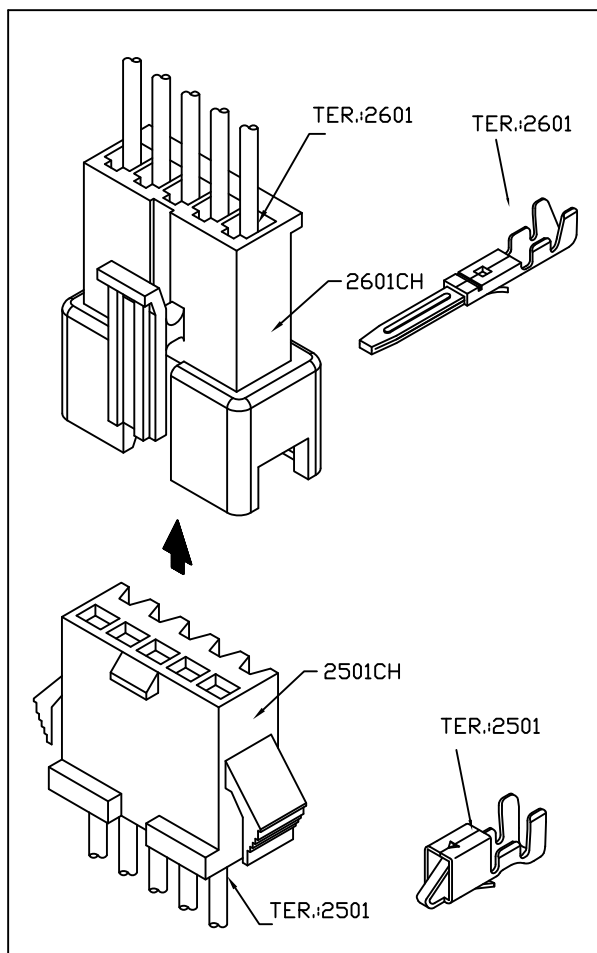
Contact resistance: Initial value/10mΩ Max.

After environmental testing/20mΩ Max.

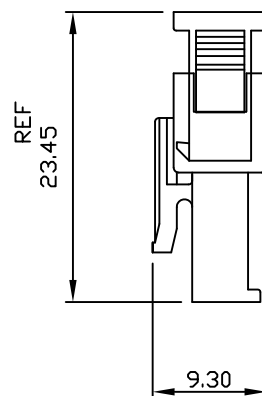
Insulation resistance: 500MΩ MIN.

Withstanding voltage: 1500V AC/minute

Applicable wire: AWG#22-26



## Assembly layout



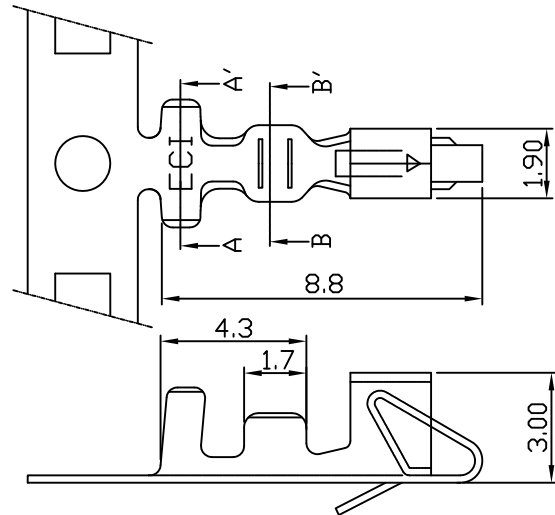
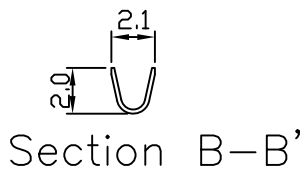
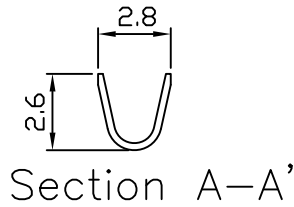
WIRE TO WIRE

**2501 .098" (2.5mm) PITCH CRIMP TERMINAL**

Features:

unit:mm

- \* THICKNESS: 0.20mm
- \* MAT'L: BRASS TIN PLATED
- \* MATES WITH :2501H 2501CH SERIES HOUSING



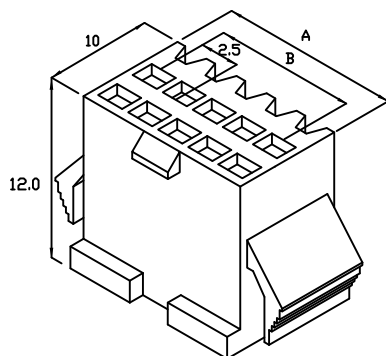
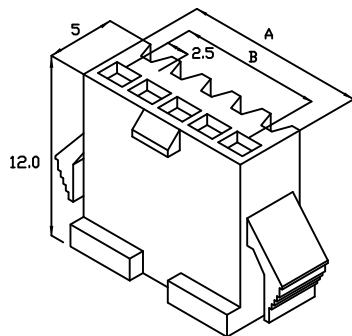
PART NO.	WIRE RANGE	INSULATION O.D.	MATERIAL	FINISH	QTY/REEL
2501	#22-#26	ø1.7mm max	BRASS	Tin-plated	7,000

**2501CH .098" (2.5mm) PITCH HOUSING**

Features:

unit:mm

- \* MAT'L: NYLON 66 UL 94V-2
- \* MATES WITH: 2501 SERIES TERMINAL
- \* ACCEPTS WITH: 2601CH SERIES HOUSING



PART NO.	A	B
2501CH-02	5.5	2.5
2501CH-03	8.0	5.0
2501CH-04	10.5	7.5
2501CH-05	13.0	10.0
2501CH-06	15.5	12.5
2501CH-07	18.0	15.0
2501CH-08	20.5	17.5
2501CH-09	23.0	20.0
2501CH-10	25.5	22.5

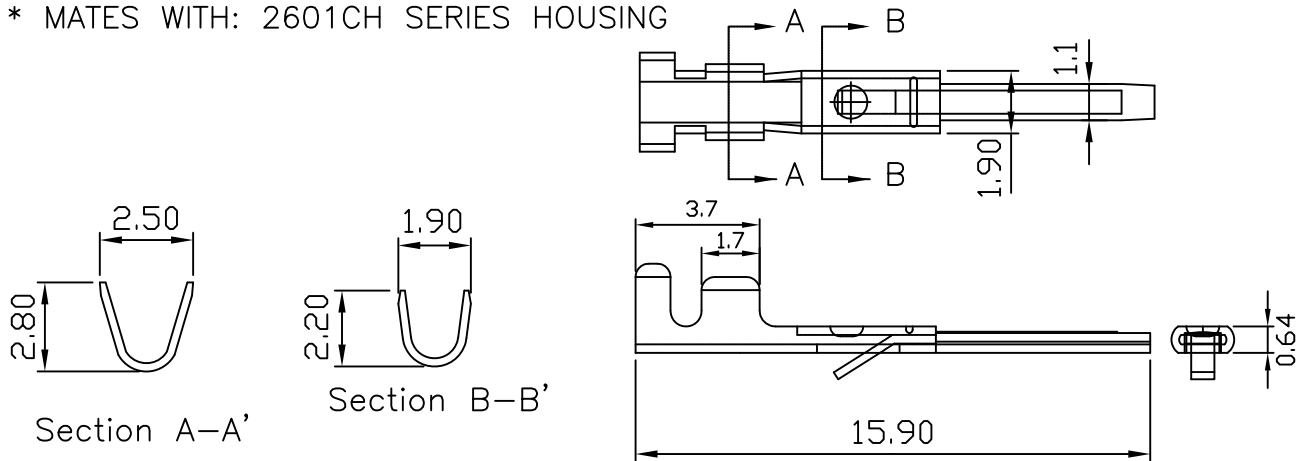
PART NO.	A	B
2501CH-04(2X2)	5.5	2.5
2501CH-06(2X3)	8.0	5.0
2501CH-08(2X4)	10.5	7.5
2501CH-10(2X5)	13.0	10.0
2501CH-12(2X6)	15.5	12.5
2501CH-14(2X7)	18.0	15.0
2501CH-16(2X8)	20.5	17.5
2501CH-18(2X9)	23.0	20.0
2501CH-20(2X10)	25.5	22.5

## 2601 .098" (2.5mm) PITCH CRIMP TERMINAL

Features:

unit:mm

- \* THICKNESS: 0.25mm
- \* MAT'L: BRASS TIN PLATED
- \* MATES WITH: 2601CH SERIES HOUSING



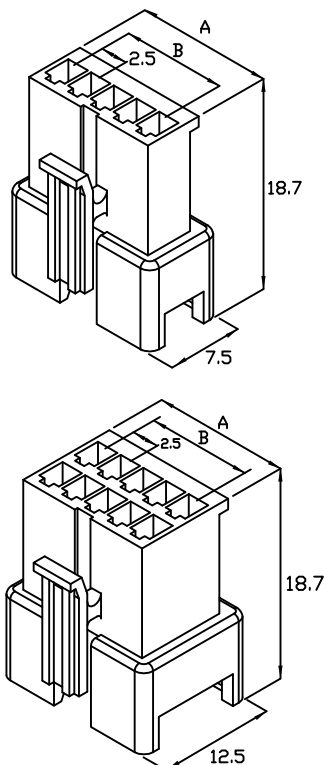
PART NO.	WIRE RANGE	INSULATION O.D.	MATERIAL	FINISH	QTY/REEL
2601	#22-#26	ø1.7 mm MAX	BRASS	Tin-plated	7,000

## 2601CH .098" (2.5mm) PITCH CRIMP HOUSING

Features:

unit:mm

- \* MAT'L: NYLON 66 UL 94V-2
- \* MATES WITH: 2601 SERIES TERMINAL
- \* ACCEPTS WITH: 2501CH SERIES HOUSING



PART/NO.	A	B
2601CH-02	8.0	2.5
2601CH-03	10.5	5.0
2601CH-04	13.0	7.5
2601CH-05	15.5	10.0
2601CH-06	18.0	12.5
2601CH-07	20.5	15.0
2601CH-08	23.0	17.5
2601CH-09	25.5	20.0
2601CH-10	28.0	22.5

PART/NO.	A	B
2601CH-04(2X2)	8.0	2.5
2601CH-06(2X3)	10.5	5.0
2601CH-08(2X4)	13.0	7.5
2601CH-10(2X5)	15.5	10.0
2601CH-12(2X6)	18.0	12.5
2601CH-14(2X7)	20.5	15.0
2601CH-16(2X8)	23.0	17.5
2601CH-18(2X9)	25.5	20.0
2601CH-20(2X10)	28.0	22.5