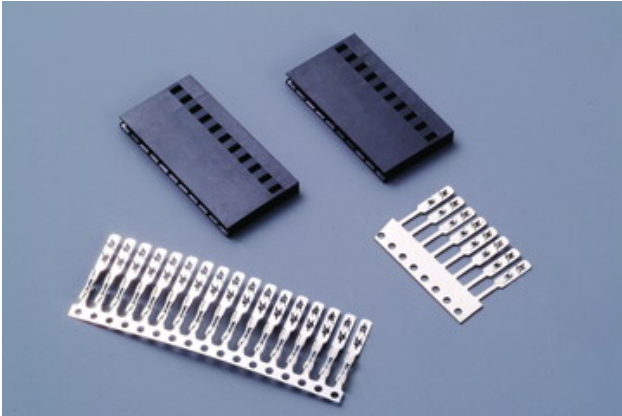


2556H SERIES

.100" (2.54mm) F.P.C connectors



Specifications

Current rating: 3A AC,DC

Voltage rating: 250V AC,DC

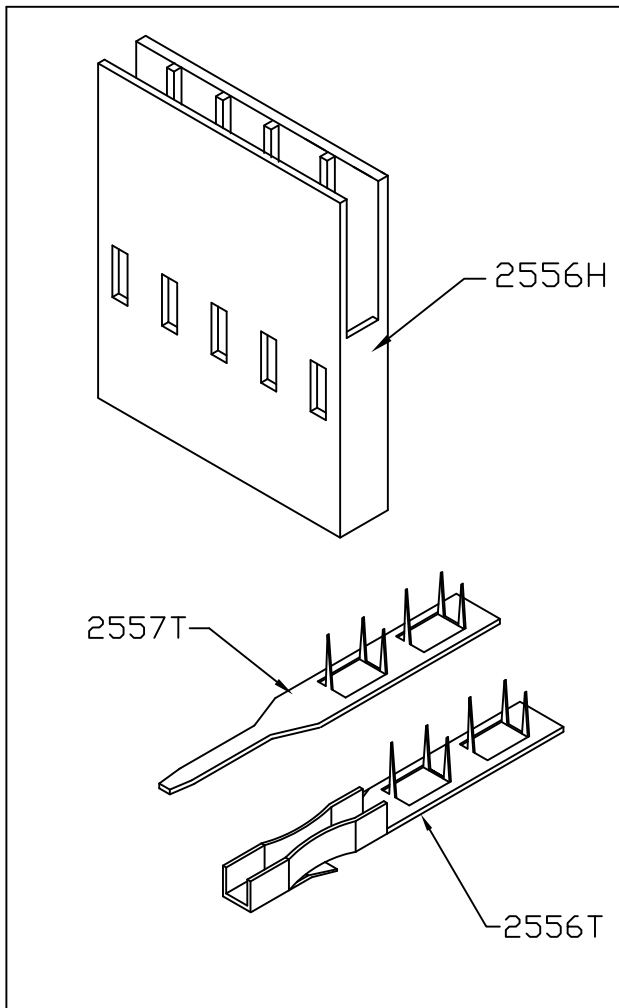
Temperature range: -40°C to $+105^{\circ}\text{C}$
(including temperature rise)

Contact resistance: Initial value/20m Ω Max.

After environmental testing/20m Ω Max.

Insulation resistance: 1000M Ω MIN.

Withstanding voltage: 800V AC/minute



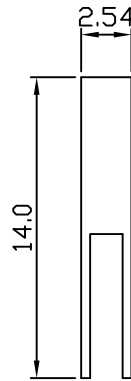
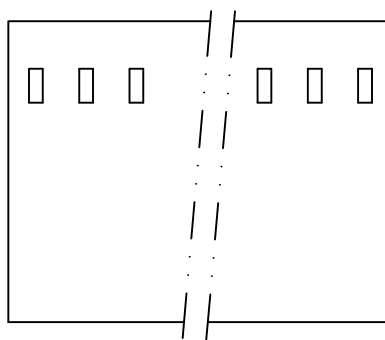
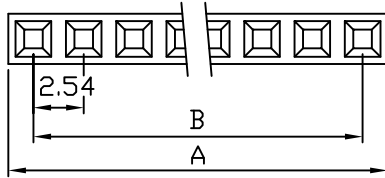
Assembly layout

2556H .100" (2.54mm) PITCH HOUSING

Features:

unit:mm

- * MAT'L: NYLON UL94V-0
- * MATES WITH 2556T SERIES TERMINAL



PART NO.	A	B
2556H-02	5.05	2.54
2556H-03	7.59	5.08
2556H-04	10.13	7.62
2556H-05	12.67	10.16
2556H-06	15.21	12.70
2556H-07	17.75	15.24
2556H-08	20.29	17.17
2556H-09	22.83	20.32
2556H-10	25.37	22.86
2556H-11	27.91	25.40
2556H-12	30.45	27.94
2556H-13	32.99	30.48

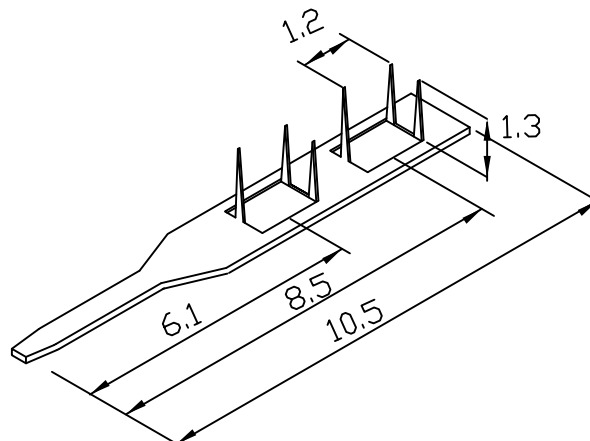
PART NO.	A	B
2556H-14	35.53	33.02
2556H-15	38.07	35.56
2556H-16	40.61	38.10
2556H-17	43.15	40.64
2556H-18	45.69	43.18
2556H-19	48.23	45.72
2556H-20	50.77	48.26
2556H-21	53.31	50.80
2556H-22	55.85	53.34
2556H-23	58.39	55.88
2556H-24	60.93	58.42
2556H-25	63.47	60.96

2557T (MALE) .100" (2.54mm) PITCH MALE TERMINAL

Features:

unit:mm

- * TERMINAL: 0.2mm
- * MAT'L: PHOSPHOR BRONZE TIN PLATED
- * MATES WITH 2556H SERIES HOUSING



2556T (FEMALE) .100" (2.54mm) PITCH FEMALE TERMINAL

unit:mm

Features:

- * TERMINAL: 0.2mm
- * MAT'L: PHOSPHOR BRONZE TIN PLATED
- * MATES WITH 2556H SERIES HOUSING

