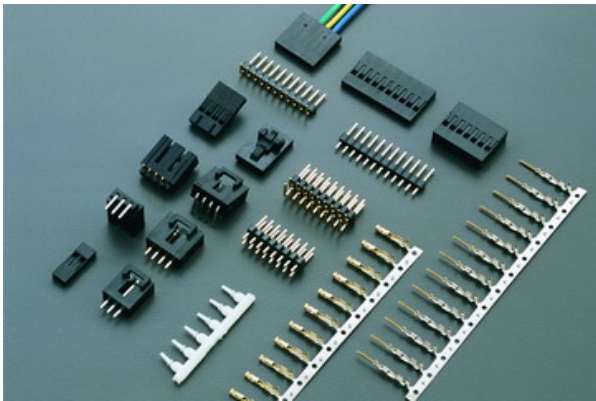


# 2562H SERIES

.100" (2.54mm) PITCH WIRE TO BOARD CONNECTOR



## Specifications

Current rating: 3A AC,DC

Voltage rating: 250V AC,DC

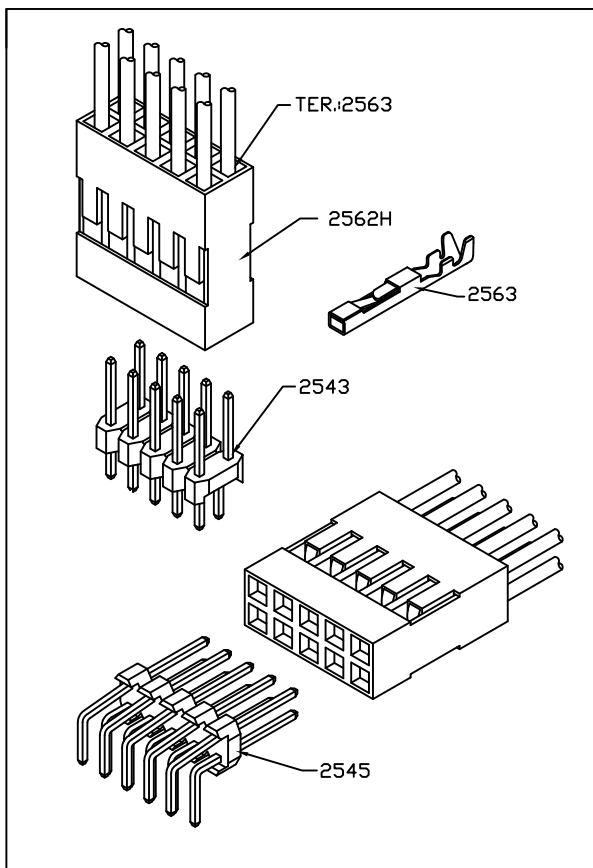
Temperature range:  $-25^{\circ}\text{C}$  to  $+85^{\circ}\text{C}$   
(including temperature rise)

Contact resistance: Initial value/10m $\Omega$  Max.  
After environmental testing/20m $\Omega$  Max.

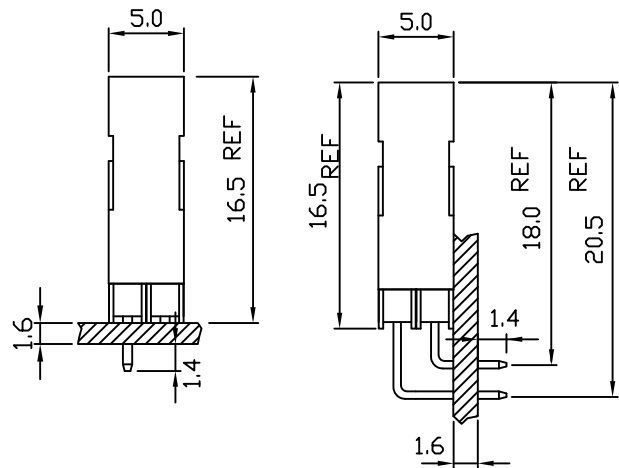
Insulation resistance: 500M $\Omega$  MIN.

Withstanding voltage: 1000V AC/minute

Applicable wire: AWG#24-28



## Assembly layout

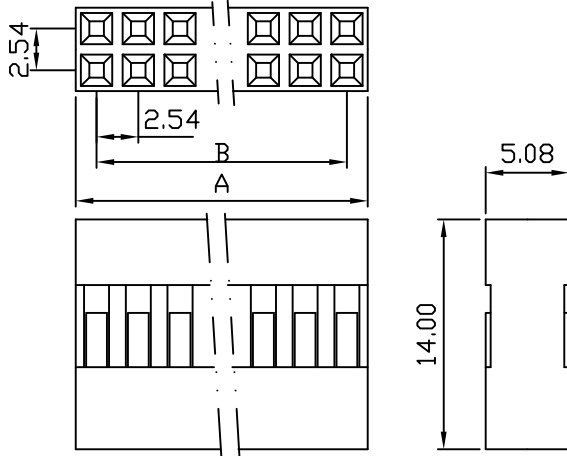


# 2562H .100" (2.54mm) PITCH CRIMP HOUSING

Features:

unit:mm

- \* MAT'L: NYLON 66 UL 94V-0
- \* MATES WITH: 2563 2564 SERIES TERMINAL
- \* ACCEPTS WITH: 2543 & 2545 SERIES WAFER



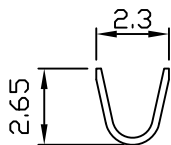
PART NO.	A	B
2562H- 04(2X2)	5.08	2.54
2562H- 06(2X3)	7.62	5.08
2562H- 08(2X4)	10.16	7.62
2562H- 10(2X5)	12.70	10.16
2562H- 12(2X6)	15.24	12.70
2562H- 14(2X7)	17.78	15.24
2562H- 16(2X8)	20.32	17.78
2562H- 18(2X9)	22.86	20.32
2562H- 20(2X10)	25.40	22.86
2562H- 22(2X11)	27.94	25.40
2562H- 24(2X12)	30.48	27.94
2562H- 26(2X13)	33.02	30.48
2562H- 28(2X14)	35.56	33.02
2562H- 30(2X15)	38.10	35.56
2562H- 32(2X16)	40.64	38.10
2562H- 34(2X17)	43.18	40.64
2562H- 36(2X18)	45.72	43.18
2562H- 38(2X19)	48.26	45.72
2562H- 40(2X20)	50.80	48.26

# 2563 .100" (2.54mm) PITCH CRIMP TERMINAL

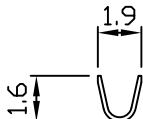
Features:

unit:mm

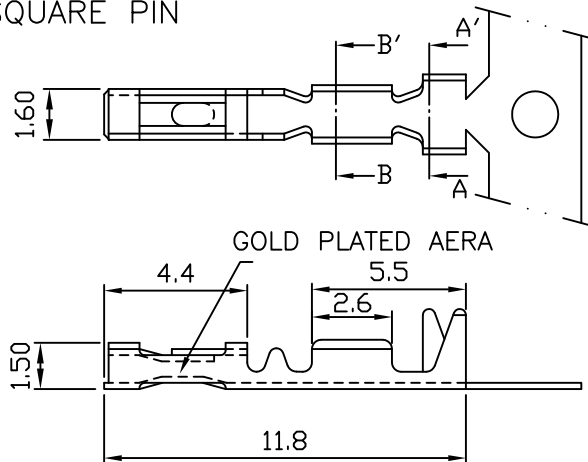
- \* THICKNESS: 0.2mm
- \* MAT'L: BRASS OR PHOSPHOR BRONZE GOLD PLATED
- \* MATES WITH: 2663 SERIES TERMINAL
- \* ACCEPTS WITH: 2561H & 2562H & 2561H-04K SERIES HOUSING
- \* ACCEPTS WITH: 2540 2541 2543 2545 SERIES WAFER
- \* ACCEPTS WITH: 2561PS-04K 2561PR-04K WAFER
- \* ACCEPTS WITH: 0.64(.025") SQUARE PIN



Section A-A'



Section B-B'



PART NO.	WIRE RANGE	INSULATION O.D.	MATERIAL	FINISH	QTY/REEL
2563	AWG#24-#26	ø1.2~ø1.0mm	Brass	GOLD PLATED- OVER NIKEL	10,000
2563-P	AWG#24-#26	ø1.2~ø1.0mm	Phosphor bronze	GOLD PLATED- OVER NIKEL	10,000

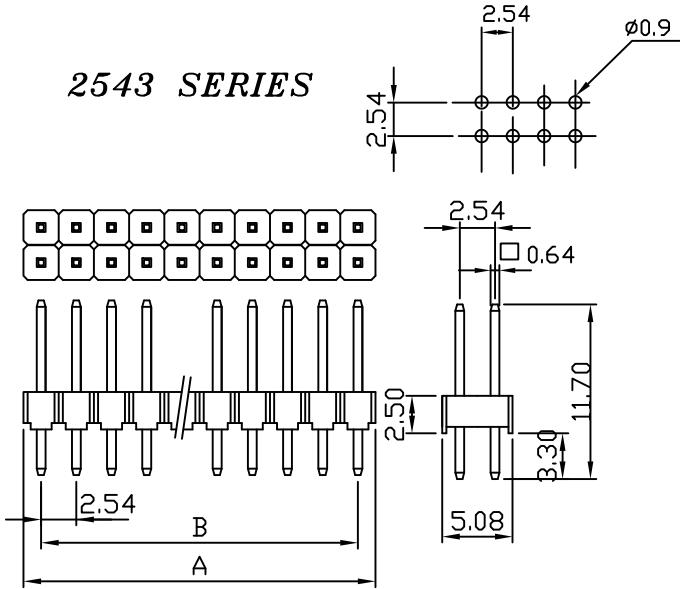
# 2543 .100" (2.54mm) PITCH Headers—Straight

Features:

unit:mm

- \* MAT'L: BODY: PBT 94V-0  
PINS: BRASS GOLD PLATED
- \* MATES WITH: 2551 2563 2564 SERIES TERMINAL
- \* ACCEPTS WITH: 2561 2550 & 2562H SERIES HOUSING

## 2543 SERIES



PART NO.	DIM"A"	DIM"B"
2543-04(2X2)	5.08	2.54
2543-06(2X3)	7.62	5.08
2543-08(2X4)	10.16	7.62
2543-10(2X5)	12.70	10.16
2543-12(2X6)	15.24	12.70
2543-14(2X7)	17.78	15.24
2543-16(2X8)	20.32	17.78
2543-18(2X9)	22.86	20.32
2543-20(2X10)	25.40	22.86
2543-22(2X11)	27.94	25.40
2543-24(2X12)	30.48	27.94
2543-26(2X13)	33.02	30.48
2543-28(2X14)	35.56	33.02
2543-30(2X15)	38.10	35.56
2543-32(2X16)	40.64	38.10
2543-34(2X17)	43.18	40.64
2543-36(2X18)	45.72	43.18
2543-38(2X19)	48.26	45.72
2543-40(2X20)	50.80	48.26

PART NO.	DIM"A"	DIM"B"
2543-42(2X21)	53.34	50.80
2543-44(2X22)	55.88	53.34
2543-46(2X23)	58.42	55.88
2543-48(2X24)	60.96	58.42
2543-50(2X25)	63.50	60.96
2543-52(2X26)	66.04	63.50
2543-54(2X27)	68.58	66.04
2543-56(2X28)	71.12	68.58
2543-58(2X29)	73.66	71.12
2543-60(2X30)	76.20	73.66
2543-62(2X31)	78.74	76.20
2543-64(2X32)	81.28	78.74
2543-66(2X33)	83.82	81.28
2543-68(2X34)	86.36	83.82
2543-70(2X35)	88.90	86.36
2543-72(2X36)	91.44	88.90
2543-74(2X37)	93.98	91.44
2543-76(2X38)	96.52	93.98
2543-78(2X39)	99.06	96.52
2543-80(2X40)	101.60	99.06

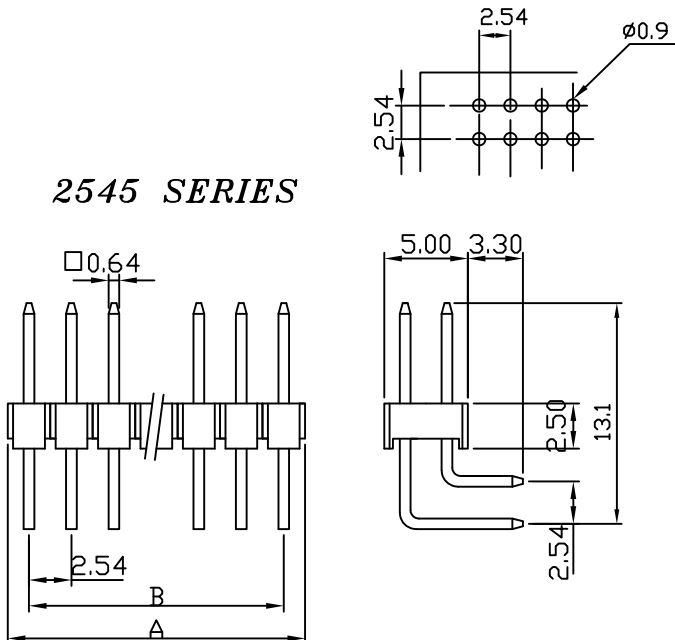
# 2545 .100" (2.54mm) PITCH Headers—Right Angle

Features:

unit:mm

- \* MAT'L: BODY: PBT 94V-0  
PINS: BRASS GOLD PLATED
- \* MATES WITH: 2551 2563 2564 SERIES TERMINAL
- \* ACCEPTS WITH: 2550 2561H & 2562H SERIES HOUSING

## 2545 SERIES



PART NO.	DIM"A"	DIM"B"
2545-04(2X2)	5.08	2.54
2545-06(2X3)	7.62	5.08
2545-08(2X4)	10.16	7.62
2545-10(2X5)	12.70	10.16
2545-12(2X6)	15.24	12.70
2545-14(2X7)	17.78	15.24
2545-16(2X8)	20.32	17.78
2545-18(2X9)	22.86	20.32
2545-20(2X10)	25.40	22.86
2545-22(2X11)	27.94	25.40
2545-24(2X12)	30.48	27.94
2545-26(2X13)	33.02	30.48
2545-28(2X14)	35.56	33.02
2545-30(2X15)	38.10	35.56
2545-32(2X16)	40.64	38.10
2545-34(2X17)	43.18	40.64
2545-36(2X18)	45.72	43.18
2545-38(2X19)	48.26	45.72
2545-40(2X20)	50.80	48.26

PART NO.	DIM"A"	DIM"B"
2545-42(2X21)	53.34	50.80
2545-44(2X22)	55.88	53.34
2545-46(2X23)	58.42	55.88
2545-48(2X24)	60.96	58.42
2545-50(2X25)	63.50	60.96
2545-52(2X26)	66.04	63.50
2545-54(2X27)	68.58	66.04
2545-56(2X28)	71.12	68.58
2545-58(2X29)	73.66	71.12
2545-60(2X30)	76.20	73.66
2545-62(2X31)	78.74	76.20
2545-64(2X32)	81.28	78.74
2545-66(2X33)	83.82	81.28
2545-68(2X34)	86.36	83.82
2545-70(2X35)	88.90	86.36
2545-72(2X36)	91.44	88.90
2545-74(2X37)	93.98	91.44
2545-76(2X38)	96.52	93.98
2545-78(2X39)	99.06	96.52
2545-80(2X40)	101.60	99.06