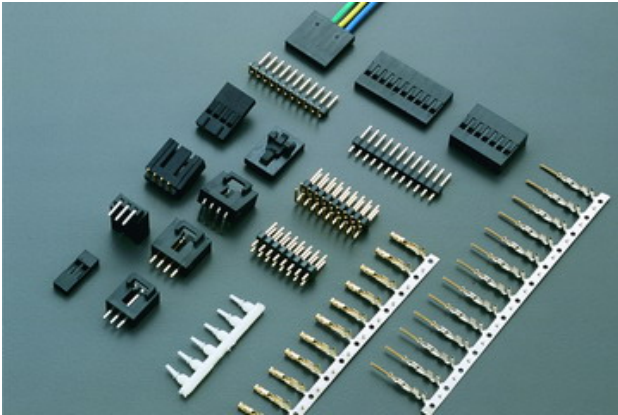


2561H-04K SERIES

.100" (2.54mm) PITCH WIRE TO BOARD CONNECTOR



Specifications

Current rating: 3A AC,DC

Voltage rating: 250V AC,DC

Temperature range: -25°C to +85°C
(including temperature rise)

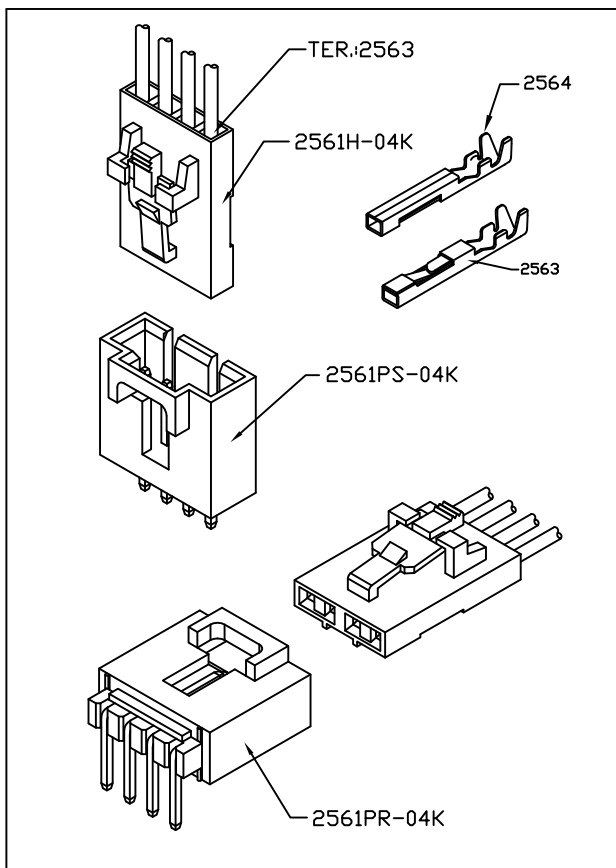
Contact resistance: Initial value/10mΩ Max.

After environmental testing/20mΩ Max.

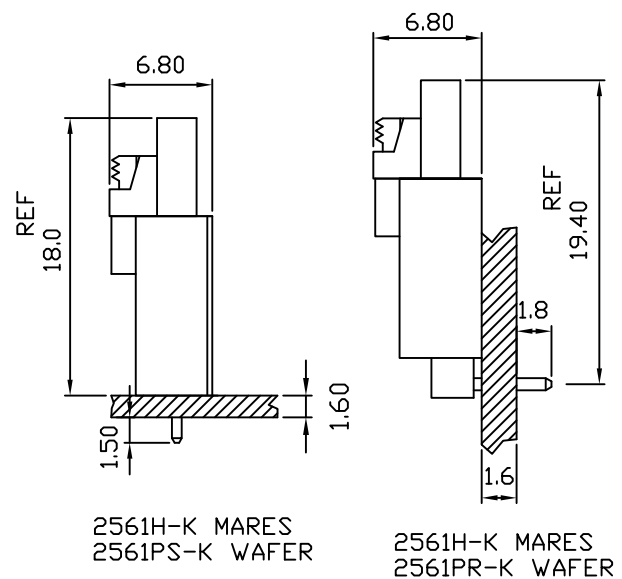
Insulation resistance: 500MΩ MIN.

Withstanding voltage: 1000V AC/minute

Applicable wire: AWG#24-28



Assembly layout

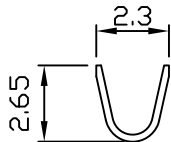


2563 .100" (2.54mm) PITCH CRIMP TERMINAL

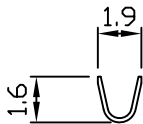
Features:

unit:mm

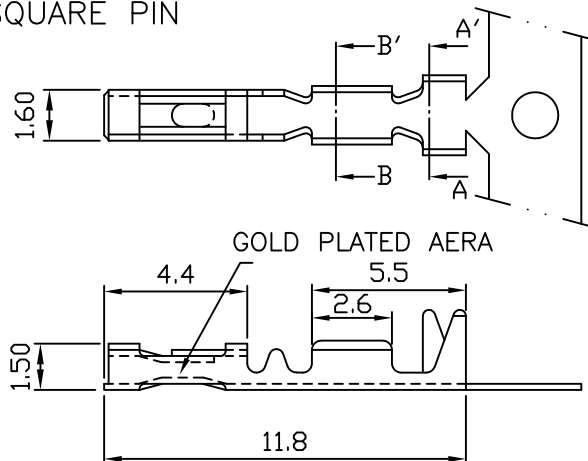
- * THICKNESS: 0.2mm
- * MAT'L: BRASS OR PHOSPHOR BRONZE GOLD PLATED
- * MATES WITH: 2663 SERIES TERMINAL
- * ACCEPTS WITH: 2561H & 2562H & 2561H-04K SERIES HOUSING
- * ACCEPTS WITH: 2540 2541 2543 2545 SERIES WAFER
- * ACCEPTS WITH: 2561PS-04K 2561PR-04K WAFER
- * ACCEPTS WITH: 0.64(.025") SQUARE PIN



Section A-A'



Section B-B'



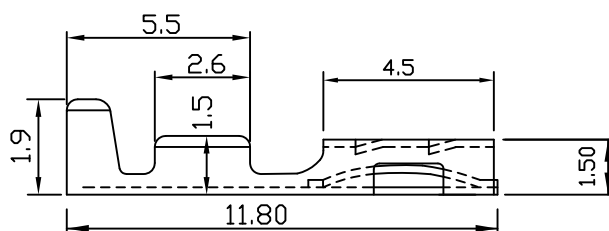
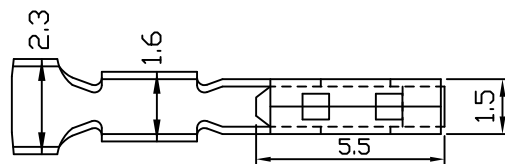
PART NO.	WIRE RANGE	INSULATION O.D.	MATERIAL	FINISH	QTY/REEL
2563	AWG#24-#26	φ1.2~φ1.0mm	Brass	GOLD PLATED- OVER NIKEL	10,000
2563-P	AWG#24-#26	φ1.2~φ1.0mm	Phosphor bronze	GOLD PLATED- OVER NIKEL	10,000

2564 .100" (2.54mm) PITCH TERMINAL

Features:

unit:mm

- * THICKNESS: 0.2mm
- * MAT'L: PHOSPHOR BRONZE GOLD PLATED
- * ACCEPTS WITH: 2561H & 2562H & 2561H-04K SERIES HOUSING
- * ACCEPTS WITH: 2540 2541 2543 2545 SERIES WAFER
- * ACCEPTS WITH: 2561PS-04K 2561PR-04K WAFER
- * ACCEPTS WITH: 0.64(.025") SQUARE PIN



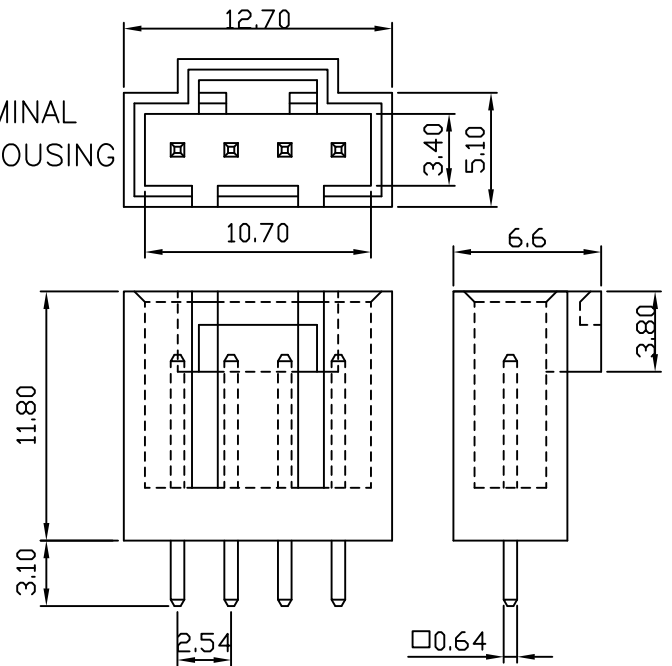
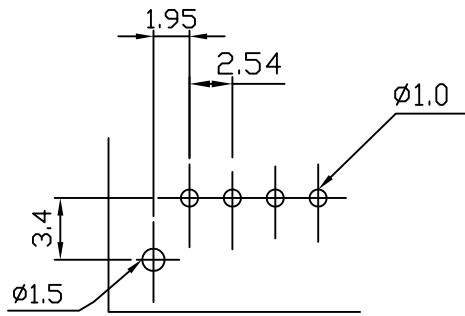
PART NO.	WIRE RANGE	INSULATION O.D.	MATERIAL	FINISH	QTY/REEL
2564	AWG#24-#28	φ1.2~φ1.0mm	Phosphor Bronze	GOLD PLATED- OVER NIKEL	10,000

2561PS-04K .100" (2.54mm) PITCH Headers—Straight

unit:mm

Features:

- * MAT'L: BODY: PBT 94V-0
PINS: BRASS TIN PLATED
- * MATES WITH: 2563 2564 SERIES TERMINAL
- * ACCEPTS WITH: 2561H-04K SERIES HOUSING

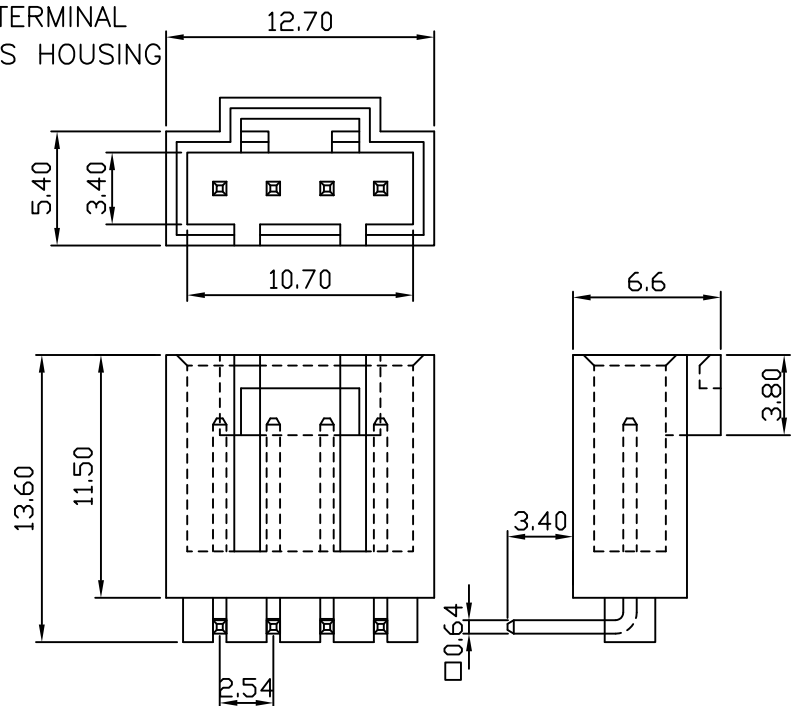
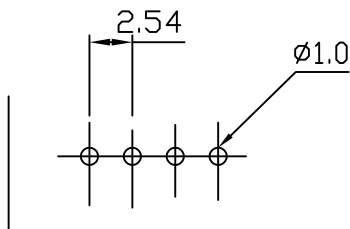


2561PR-04K .100" (2.54mm) PITCH Headers—Right Angle

unit:mm

Features:

- * MAT'L: BODY: PBT 94V-0
PINS: BRASS TIN PLATED
- * MATES WITH: 2563 2564 SERIES TERMINAL
- * ACCEPTS WITH: 2561H-04K SERIES HOUSING



2561H-04K .100" (2.54mm) PITCH CRIMP HOUSING

Features:

unit:mm

- * MAT,L: PBT UL94 V-0
- * MATES WITH: 2563 2564 SERIES TERMINAL
- * ACCEPTS WITH: 2561PS-04K OR 2561PR-04K SERIES WAFER

