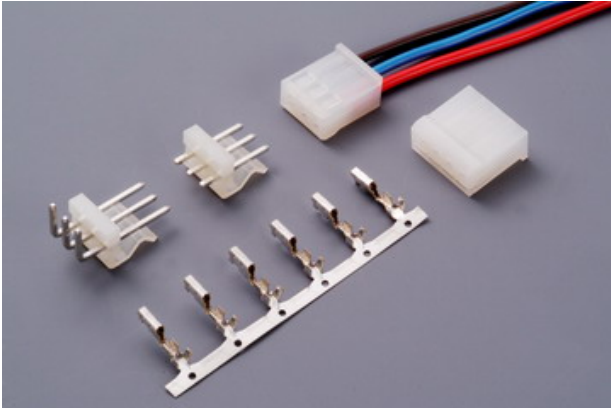


# 8396H SERIES

.156" (3.96mm) PITCH WIRE TO BOARD CONNECTOR



## Specifications

Current rating: 5A AC,DC

Voltage rating: 250V AC,DC

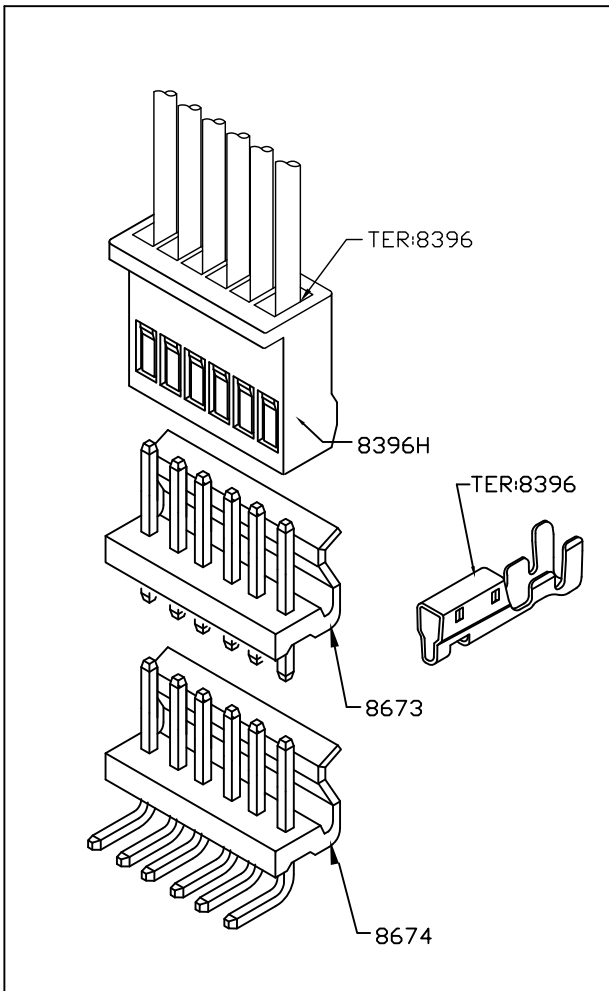
Temperature range: -40°C to +105°C  
(including temperature rise)

Contact resistance: Initial value/10 mΩ Max.

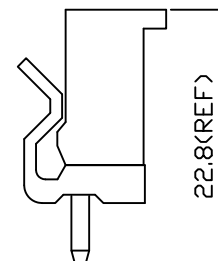
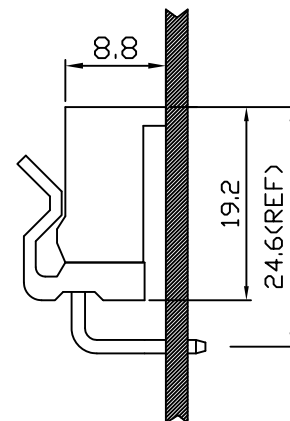
Insulation resistance: 1000MΩ MIN.

Withstanding voltage: 1500V AC/minute

Applicable wire: AWG#18-22



## Assembly layout

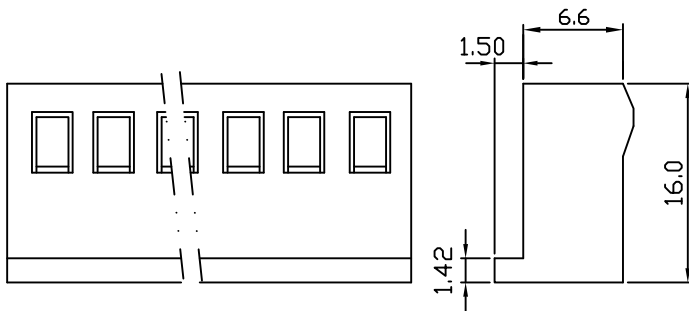
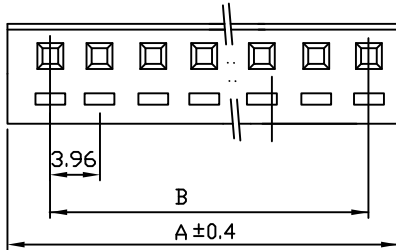


# 8396H SERIES .156" (3.96mm) PITCH HOUSING

## Features:

- \* MAT'L: NYLON 66 UL94V-2 OR V-0
- \* MATES WITH: 8396T SERIES TERMINAL
- \* ACCEPTS WITH: 8673 7674 SERIES WAFER

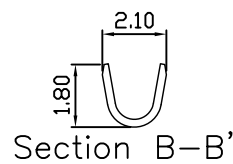
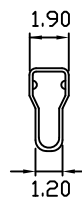
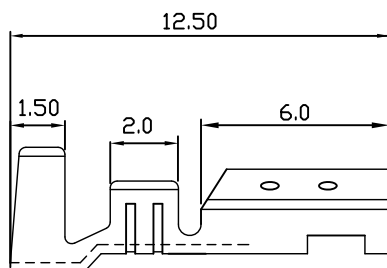
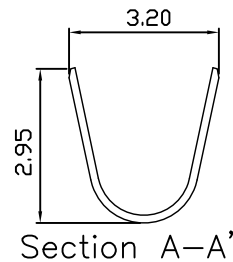
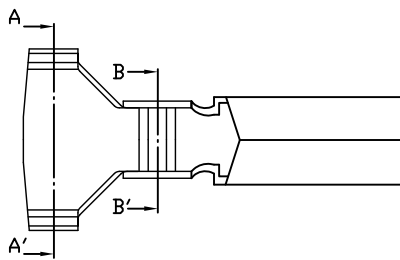
PART NO.	A	B	PART NO.	A	B
8396H-02	9.06	3.96	8396H-16	64.50	59.42
8396H-03	13.02	7.92	8396H-17	68.46	63.38
8396H-04	16.98	11.88	8396H-18	72.42	67.34
8396H-05	20.94	15.84	8396H-19	76.46	71.30
8396H-06	24.90	19.80	8396H-20	80.34	75.26
8396H-07	28.86	23.76	8396H-21	84.30	79.22
8396H-08	32.82	27.72	8396H-22	88.26	83.18
8396H-09	36.78	31.68	8396H-23	92.22	87.14
8396H-10	40.74	35.64	8396H-24	96.18	91.10
8396H-11	44.70	39.60	8396H-25	100.14	95.06
8396H-12	48.66	43.56			
8396H-13	52.62	47.52			
8396H-14	56.58	51.50			
8396H-15	60.54	55.46			



# 8396 SERIES .156" (3.96mm) PITCH CRIMP TERMINAL

## Features:

- \* THICKNESS: 0.2mm
- \* MAT'L: BRASS TIN PLATED
- \* MATES WITH: 8396H SERIES HOUSING



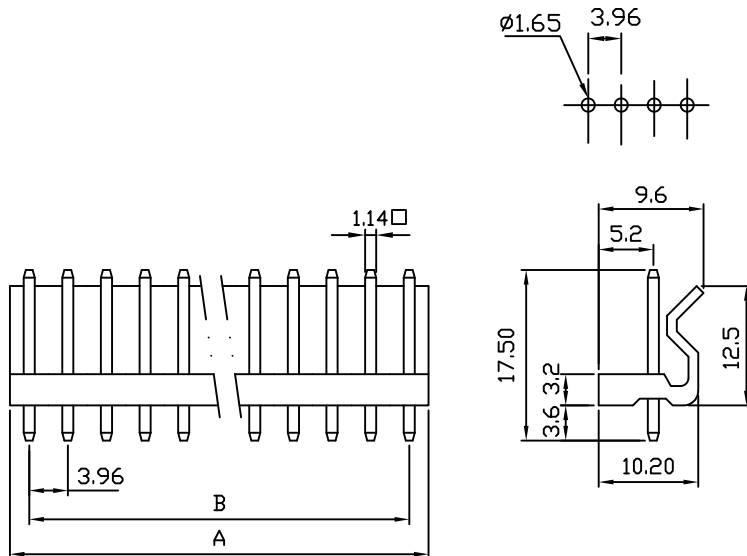
PART NO.	WIRE RANGE	INSULATION O.D.	MATERIAL	FINISH	QTY/REEL
8396	AWG#18-22	∅1.70~∅2.10mm	Brass	Tin-plated	5,000

# 8673 .156" (3.96mm) PITCH Headers—Straight

## Features:

unit:mm

- \* MAT'L: BODY: NYLON 66 UL 94V-2  
PINS: BRASS TIN PLATED
- \* MATES WITH: 8478 8578 8678 84783 85783  
SERIES TERMINAL
- \* ACCEPTS WITH: 8639 8669 SERIES HOUSING



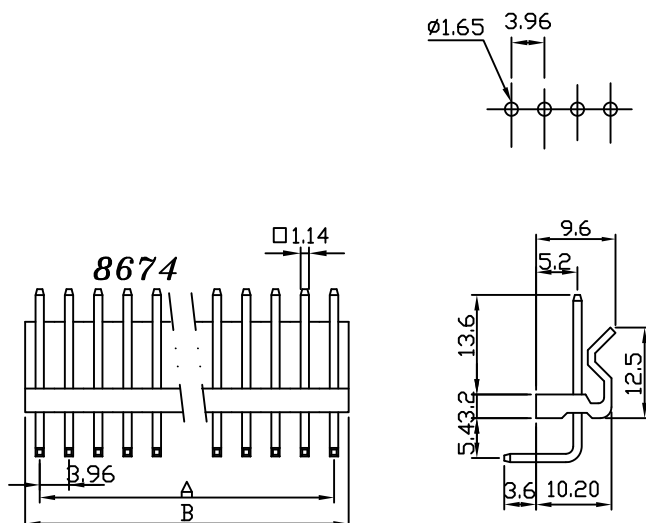
PART NO.	A	B
8673-02	7.92	3.96
8673-03	11.88	7.92
8673-04	15.84	11.88
8673-05	19.80	15.84
8673-06	23.76	19.80
8673-07	27.72	23.76
8673-08	31.68	27.72
8673-09	35.64	31.68
8673-10	39.60	35.64
8673-11	43.56	39.60
8673-12	47.52	43.56
8673-13	51.48	47.52
8673-14	55.44	51.48
8673-15	59.40	55.44
8673-16	63.36	59.40
8673-17	67.32	63.36
8673-18	71.28	67.32
8673-19	75.24	71.28
8673-20	79.20	75.24

# 8674 .156" (3.96mm) PITCH Headers—Right Angle

## Features:

unit:mm

- \* MAT'L: BODY: NYLON 66 UL 94V-2  
PINS: BRASS TIN PLATED
- \* MATES WITH: 8478 8578 8678 84783 85783  
SERIES TERMINAL
- \* ACCEPTS WITH: 8639 8669 SERIES HOUSING



PART NO.	A	B
8674-02	7.92	3.96
8674-03	11.88	7.92
8674-04	15.84	11.88
8674-05	19.80	15.84
8674-06	23.76	19.80
8674-07	27.72	23.76
8674-08	31.68	27.72
8674-09	35.64	31.68
8674-10	39.60	35.64
8674-11	43.56	39.60
8674-12	47.52	43.56
8674-13	51.48	47.52
8674-14	55.44	51.48
8674-15	59.40	55.44
8674-16	63.36	59.40
8674-17	67.32	63.36
8674-18	71.28	67.32
8674-19	75.24	71.28
8674-20	79.20	75.24