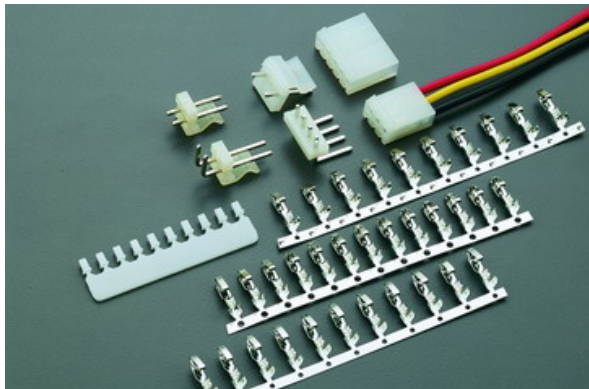


8639K SERIES

.156" (3.96mm) PITCH WIRE TO BOARD CONNECTOR



Specifications

Current rating: 5~7A AC,DC

Voltage rating: 250V AC,DC

Temperature range: -25°C to +85°C

(including temperature rise)

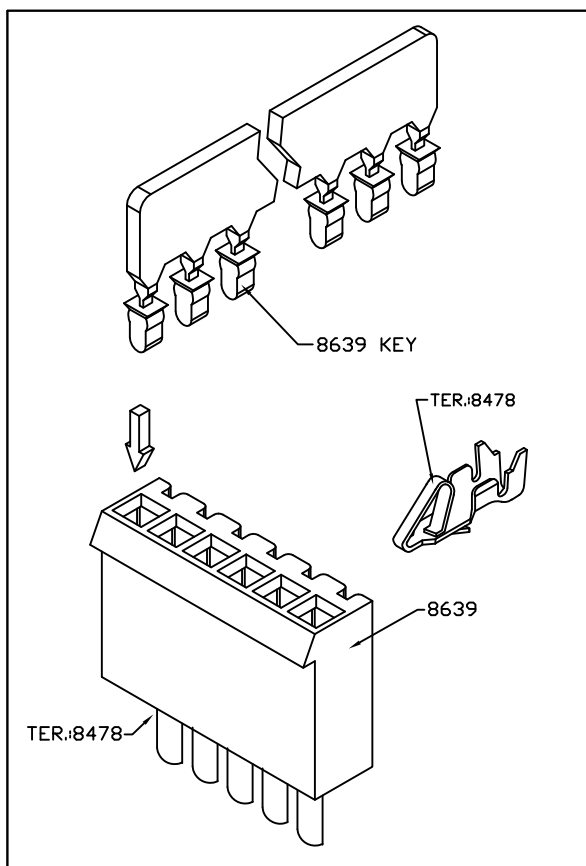
Contact resistance: Initial value/10 mΩ Max.

After environmental testing/20mΩ Max.

Insulation resistance: 500MΩ MIN.

Withstanding voltage: 1500V AC/minute

Applicable wire: AWG#18-22



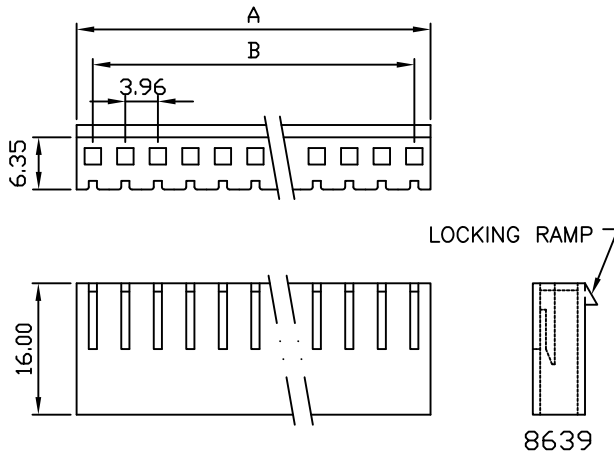
Assembly layout

8639 .156" (3.96mm) PITCH CRIMP HOUSING

Features:

unit:mm

- * MAT'L: NYLON 66 UL94V-2
- * MATES WITH: 8478 8578 8678 84783
85783 SERIES TERMINAL
- * ACCEPTS WITH: 8673 8674
SERIES WAFER



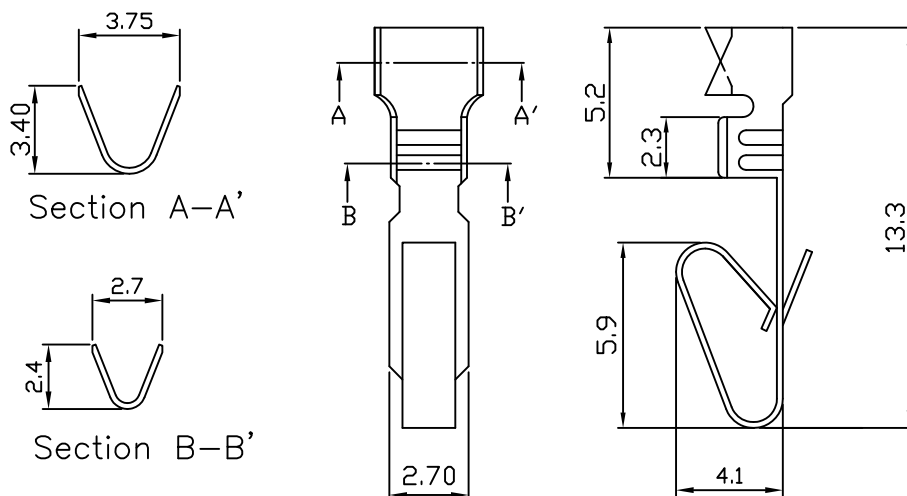
WITH LOCKING RAMP	DIM. A	DIM. B
8639-02	8.22	3.96
8639-03	12.18	7.92
8639-04	16.14	11.88
8639-05	20.10	15.84
8639-06	24.06	19.80
8639-07	28.02	23.76
8639-08	31.98	27.72
8639-09	35.94	31.68
8639-10	39.90	35.64
8639-11	43.86	39.60
8639-12	47.87	43.56
8639-13	51.78	47.52
8639-14	55.74	51.48
8639-15	59.70	55.44
8639-16	63.66	59.40
8639-17	67.62	63.36
8639-18	71.58	67.32
8639-19	75.54	71.28
8639-20	79.50	75.24

8478 3.96/5.0/5.08 .156" (5.0mm)x .295" (7.5mm) PITCH TERMINAL

Features:

unit:mm

- * THICKNESS: 0.25mm&0.30mm
- * MAT'L: BRASS OR PHOSPHOR BRONZE TIN PLATED
- * MATES WITH: 5000 5080 7500 8639 SERIES HOUSING



PART NO.	WIRE RANGE	INSULATION O.D.	MATERIAL	FINISH	QTY/REEL
8478	AWG #18-#22	ø2.8mm MAX	Brass	Tin-plated	7,000
8478-P	AWG #18-#22	ø2.8mm MAX	Phosphor brass	Tin-plated	7,000