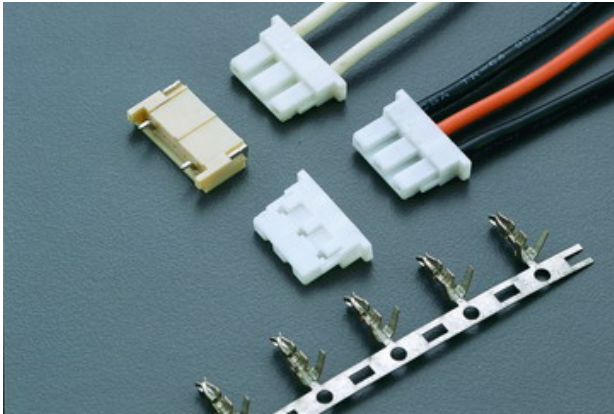


# 4001H SERIES

.157" (4.0mm) PITCH WIRE TO BOARD CONNECTOR



## Specifications

Current rating: 3A AC,DC

Voltage rating: 250V AC,DC

Temperature range: -25°C to +85°C  
(including temperature rise)

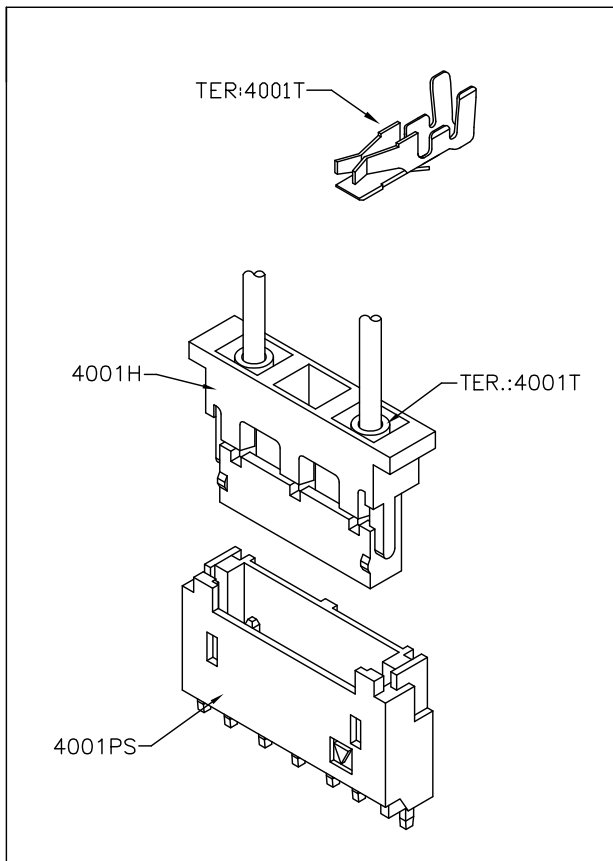
Contact resistance: Initial value/10 mΩ Max.

After environmental testing/20mΩ Max.

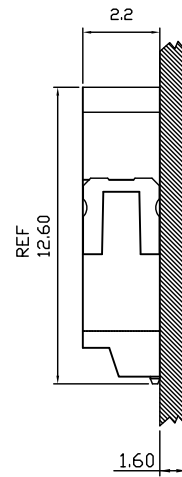
Insulation resistance: 500MΩ MIN.

Withstanding voltage: 1500V AC/minute

Applicable wire: AWG#22-24



## Assembly layout



SMT TYPE

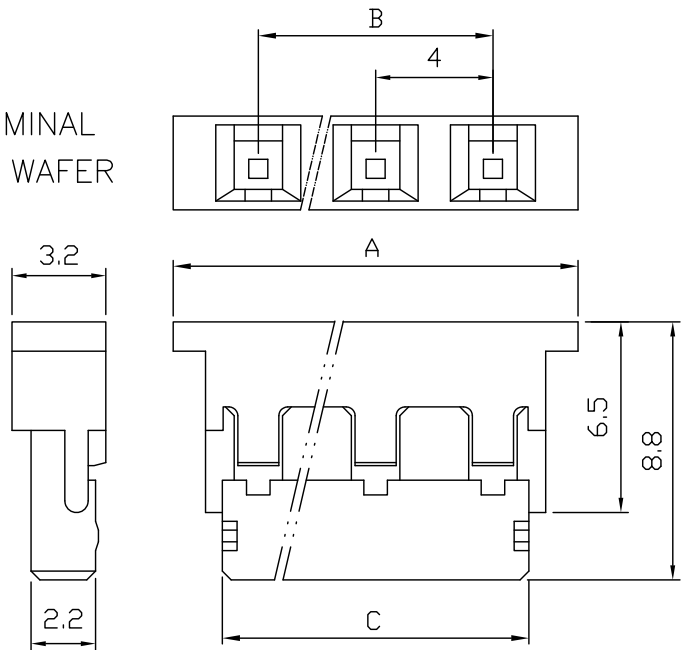
# 4001H .157" (4.0mm) PITCH HOUSING

Features:

unit:mm

- \* PART NO: 4001H
- \* MAT'L: NYLON 66 UL94V-0
- \* MATES WITH: 4001T SERIES TERMINAL
- \* ACCEPTS WITH: 4001PS SERIES WAFER

PART NO	A	B	C
4001H-02	9.8	4.0	6.4
4001H-03	13.8	8.0	10.4
4001H-04	17.8	12.0	14.4

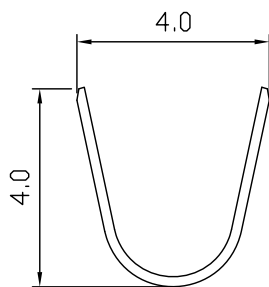


# 4001T .157" (4.0mm) PITCH CRIMP TERMINAL

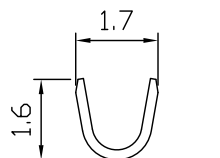
Features:

unit:mm

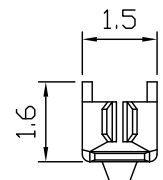
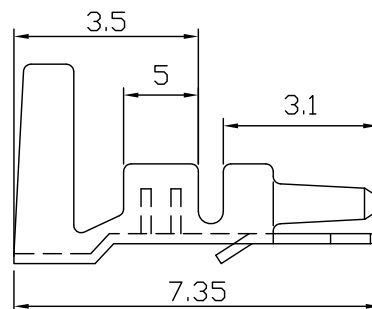
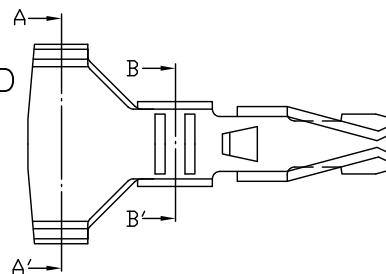
- \* THICKNESS: 0.2mm
- \* MAT'L: PHOSPHOR BRONZE TIN PLATED
- \* MATES WITH: 4001H SERIES HOUSING



Section A-A'



Section B-B'



PART/NO.	WIRE RANGE	INSULATION O.D	MATERIAL	FINISH	QTY/REEL
4001T	AWG#22-28	ø1.7 mm MAX	PHOSPHOR BRONZE	Tin-Plated	5,000

# 4001PS .157" (4.0mm) PITCH Headers—Right Angle

Features:

unit:mm

- \* MAT'L: NYLON 66 UL94V-0
- \* MATES WITH: 4001T SERIES TERMINAL
- \* ACCEPTS WITH: 4001H SERIES HOUSING

PART NO	A	B
4001PS-02	10	4
4001PS-03	14	8
4001PS-04	18	12

