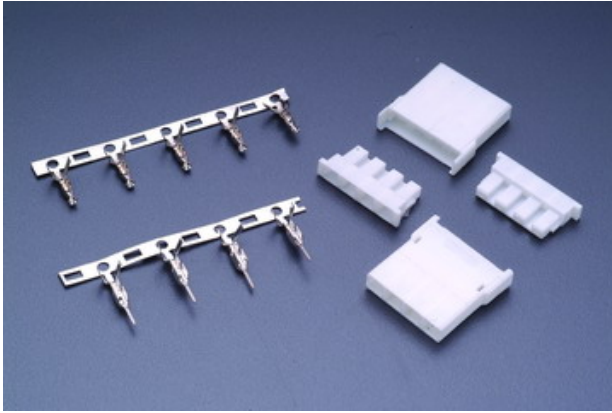


4001CH SERIES

.157" (4.0mm) PITCH WIRE TO WIRE CONNECTOR



Specifications

Current rating: 3A AC,DC

Voltage rating: 250V AC,DC

Temperature range: -25°C to +85°C
(including temperature rise)

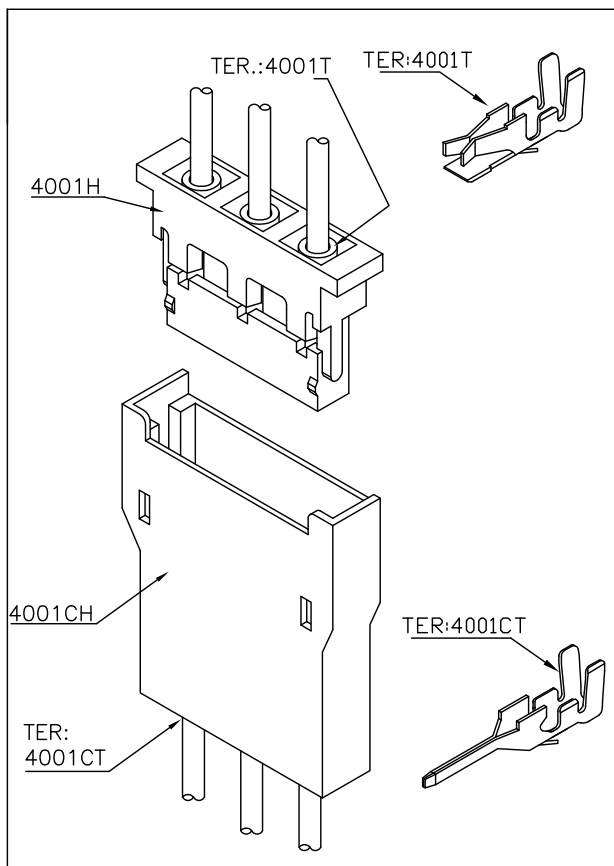
Contact resistance: Initial value/10 mΩ Max.

After environmental testing/20mΩ Max.

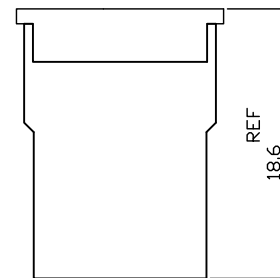
Insulation resistance: 500MΩ MIN.

Withstanding voltage: 1500V AC/minute

Applicable wire: AWG#22-24



Assembly layout



WIRE TO WIRE TYPE

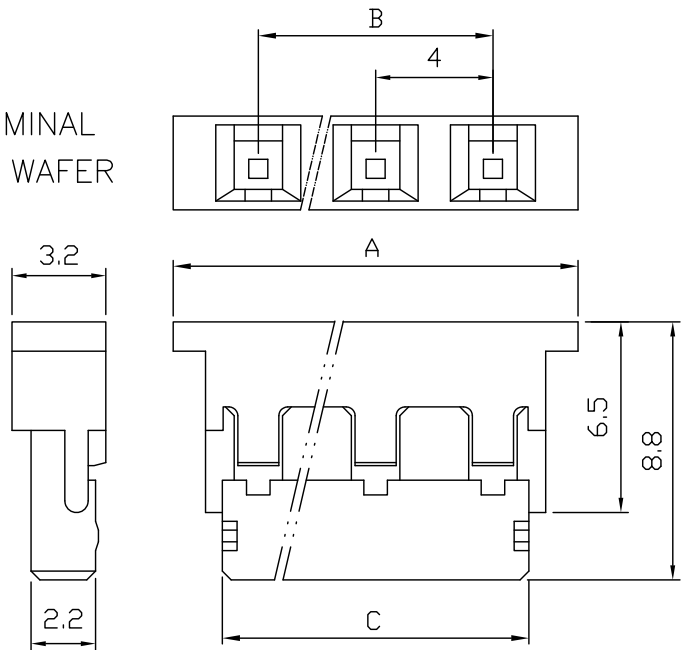
4001H .157" (4.0mm) PITCH HOUSING

Features:

unit:mm

- * PART NO: 4001H
- * MAT'L: NYLON 66 UL94V-0
- * MATES WITH: 4001T SERIES TERMINAL
- * ACCEPTS WITH: 4001PS SERIES WAFER

PART NO	A	B	C
4001H-02	9.8	4.0	6.4
4001H-03	13.8	8.0	10.4
4001H-04	17.8	12.0	14.4

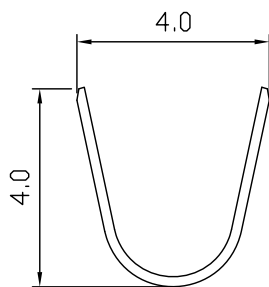


4001T .157" (4.0mm) PITCH CRIMP TERMINAL

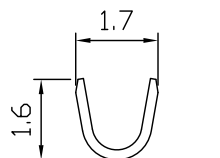
Features:

unit:mm

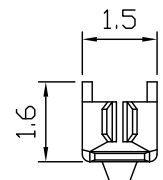
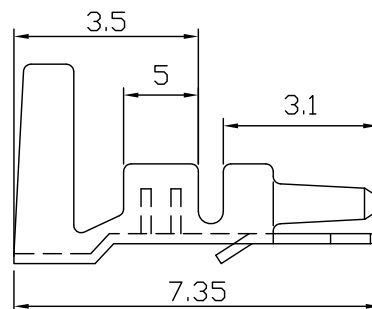
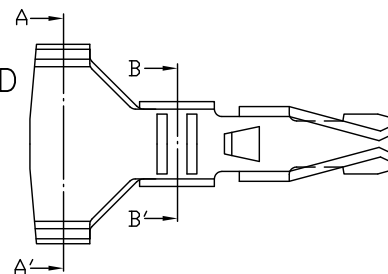
- * THICKNESS: 0.2mm
- * MAT'L: PHOSPHOR BRONZE TIN PLATED
- * MATES WITH: 4001H SERIES HOUSING



Section A-A'



Section B-B'



PART/NO.	WIRE RANGE	INSULATION O.D	MATERIAL	FINISH	QTY/REEL
4001T	AWG#22-28	ø1.7 mm MAX	PHOSPHOR BRONZE	Tin-Plated	5,000

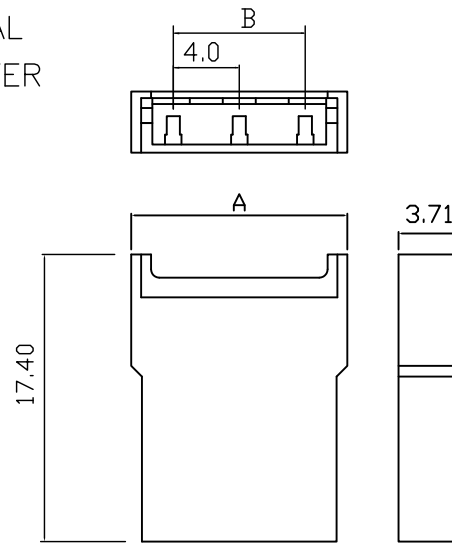
4001CH .157" (4.0mm) PITCH HOUSING

Features:

unit:mm

- * MAT'L: NYLON 66 UL94V-0
- * MATES WITH: 4001T SERIES TERMINAL
- * ACCEPTS WITH: 4001PS SERIES WAFER

PART NO	A	B
4001CH-02	9.1	4
4001CH-03	13.1	8
4001CH-04	17.1	12

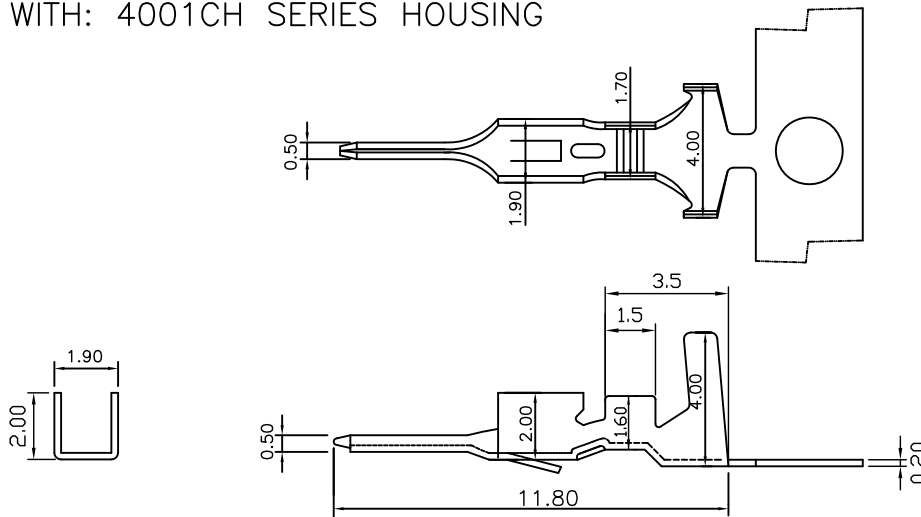


4001CT .157" (4.0mm) PITCH TERMINAL

Features:

unit:mm

- * THICKNESS: 0.2mm
- * MAT'L: PHOSPHOR BRONZE TIN PLATED
- * MATES WITH: 4001CH SERIES HOUSING



PART/NO.	WIRE RANGE	INSULATION O.D	MATERIAL	FINISH	QTY/REEL
4001CT	AWG#22-28	ø1.7 mm MAX	PHOSPHOR BRONZE	Tin-Plated	5,000