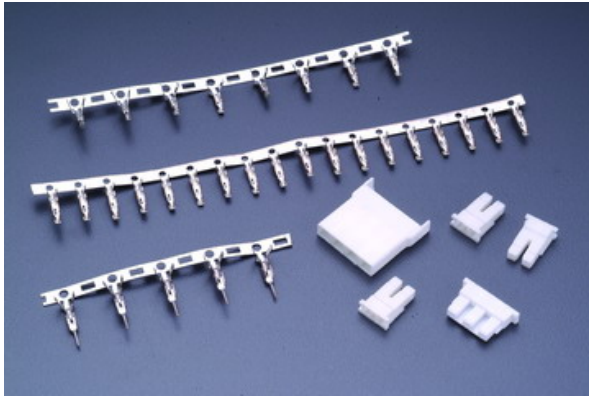


# 4001AH SERIES

.157" (4.0mm) WIRE TO WIRE CONNECTOR



## Specifications

Current rating: 3A AC,DC

Voltage rating: 250V AC,DC

Temperature range: -25°C to +85°C  
(including temperature rise)

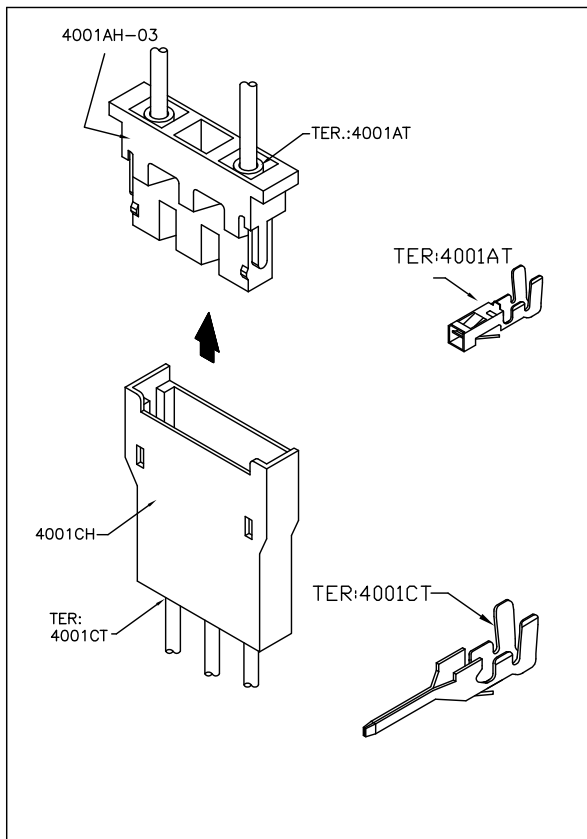
Contact resistance: Initial value/10 mΩ Max.

After environmental testing/20mΩ Max.

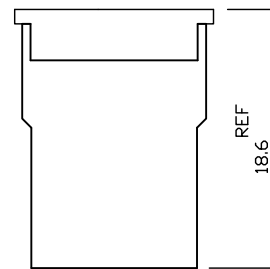
Insulation resistance: 500MΩ MIN.

Withstanding voltage: 1500V AC/minute

Applicable wire: AWG#22-24



## Assembly layout



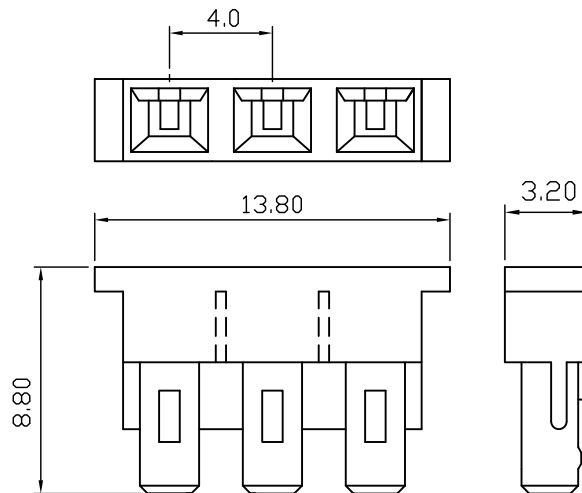
WIRE TO WIRE TYPE

**4001AH-03** .157" (4.0mm) PITCH HOUSING

Features:

unit:mm

- \* MAT'L: NYLON 66 UL94V-0
- \* MATES WITH: 4001AT SERIES TERMINAL
- \* ACCEPTS WITH: 4001CH SERIES HOUSING

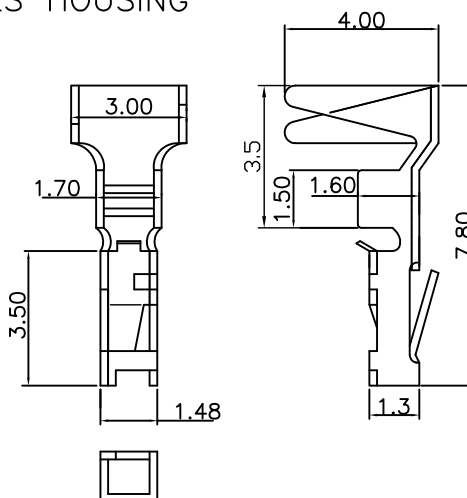


**4001AT** .157" (4.0mm)/(3.5mm) PITCH TERMINAL

Features:

unit:mm

- \* THICKNESS:0.2mm
- \* MAT'L: PHOSPHOR BRONZE TIN PLATED
- \* MATES WITH: 4001AH-03 SERIES HOUSING



PART/NO.	WIRE RANGE	INSULATION O.D	MATERIAL	FINISH	QTY/REEL
4001AT	AWG#22-28	ø1.7 mm max	PHOSPHOR BRONZE	Tin-Plated	5.000