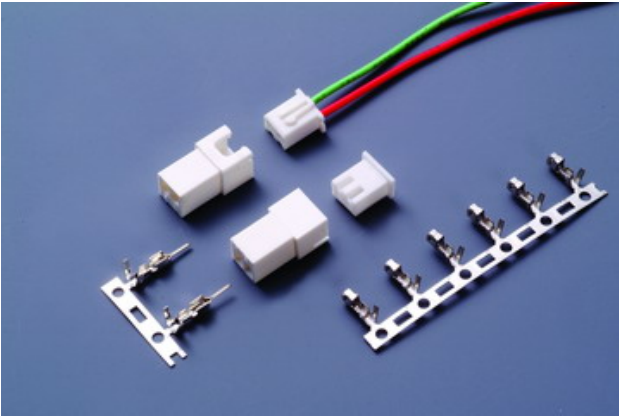


2530CH SERIES

.098" (2.5mm) PITCH WIRE TO WIRE CONNECTOR



Specifications

Current rating: 3A AC,DC

Voltage rating: 125V AC,DC

Temperature range: -25°C to +85°C
(including temperature rise)

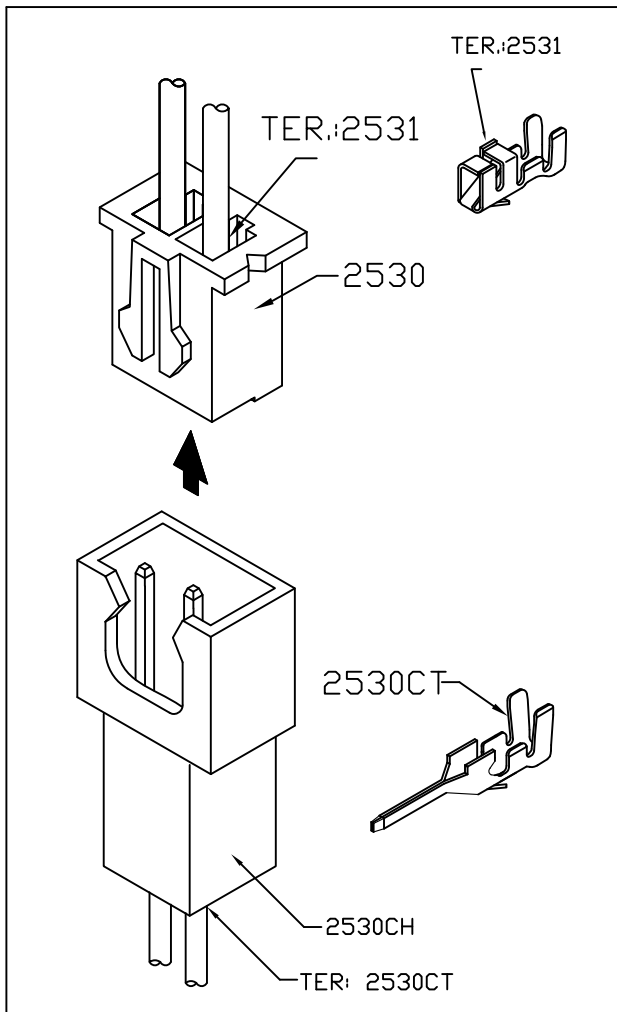
Contact resistance: Initial value/10mΩ Max.

After environmental testing/20mΩ Max.

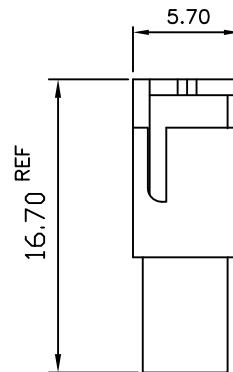
Insulation resistance: 1000MΩ MIN.

Withstanding voltage: 1000V AC/minute

Applicable wire: AWG#22-28



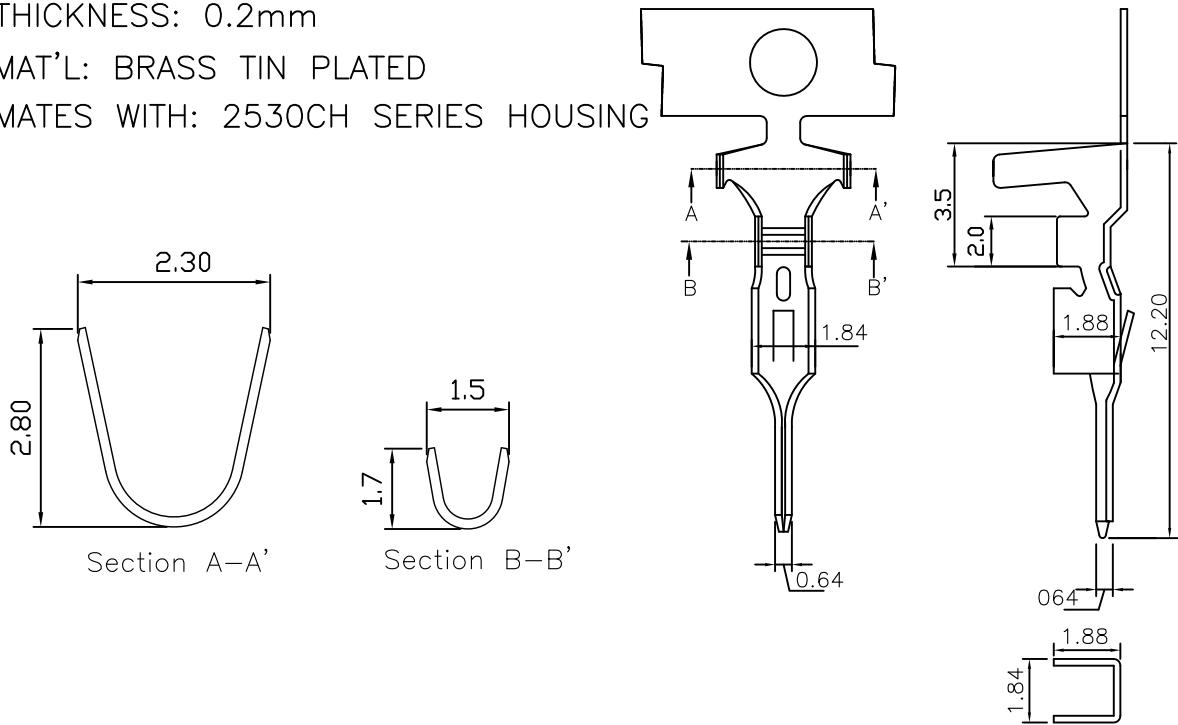
Assembly layout



2530CT .098" (2.5mm) PITCH TERMINAL

Features:

- * THICKNESS: 0.2mm
- * MAT'L: BRASS TIN PLATED
- * MATES WITH: 2530CH SERIES HOUSING

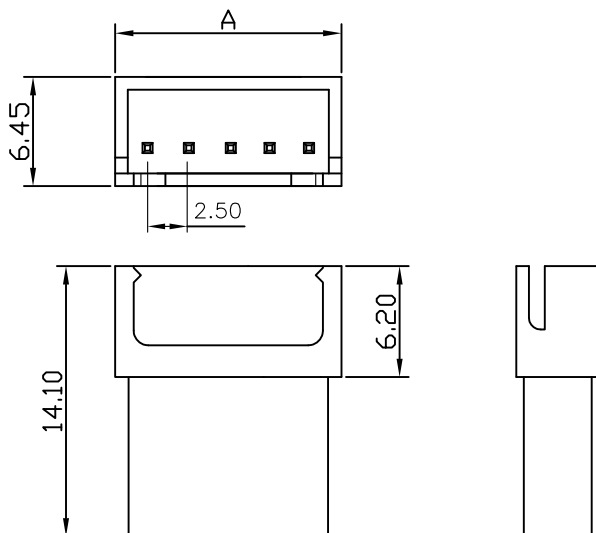


PART NO.	WIRE RANGE	MATERIAL	FINISH	QTY/REEL
2530CT	AWG#28-24	BRASS	Tin-Plated	5,000

2530CH .098" (2.5mm) PITCH HOUSING

Features:

- * MAT'L: NYLON 66 UL94V-0
- * MATES WITH: 2530CT SERIES TERMINAL
- * ACCEPTS WITH: 2530H SERIES HOUSING



PART NO.	A	B
2530CH-02	7.5	2.5
2530CH-03	10.0	5.0
2530CH-04	12.5	7.5
2530CH-05	15.0	10.0
2530CH-06	17.5	12.5
2530CH-07	20.0	15.0
2530CH-08	22.5	17.5
2530CH-09	25.0	20.0
2530CH-10	27.5	22.5
2530CH-11	30.0	25.0
2530CH-12	32.5	27.5
2530CH-13	35.0	30.0
2530CH-14	37.5	32.5
2530CH-15	40.0	35.0
2530CH-16	42.5	37.5
2530CH-17	45.0	40.0
2530CH-18	47.5	42.5
2530CH-19	50.0	45.0
2530CH-20	52.5	47.5