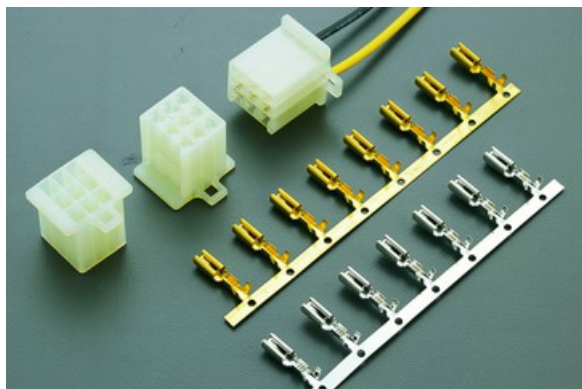


# E738H-K/E631H-K SERIES

.157" (4.0mm) PITCH WIRE TO WIRE CONNECTOR



## Specifications

Current rating: 3A AC,DC

Voltage rating: 250V AC,DC

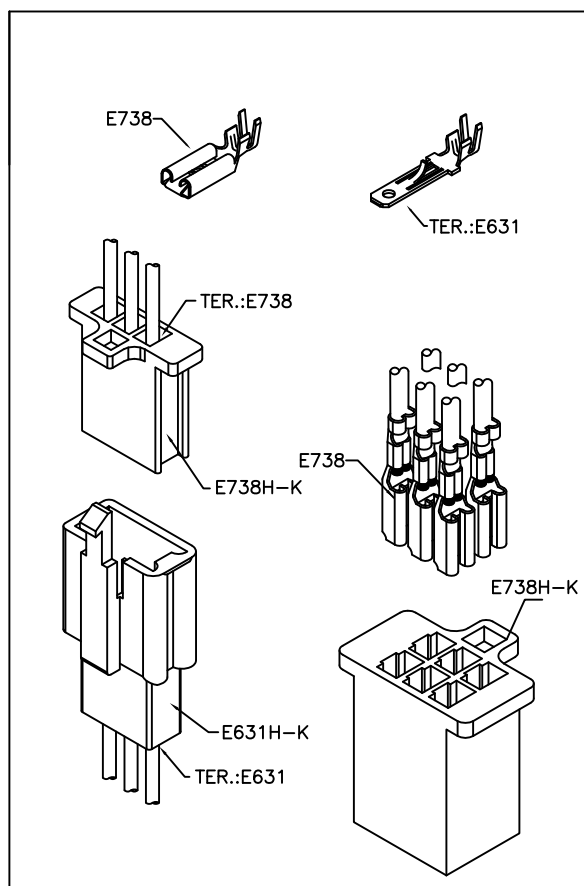
Temperature range: -25°C to +85°C  
(including temperature rise)

Contact resistance: Initial value/10 mΩ Max.  
After environmental testing/20mΩ Max.

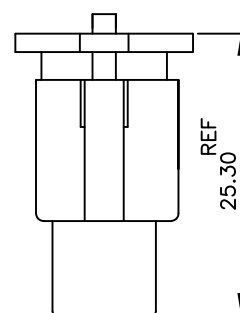
Insulation resistance: 500MΩ MIN.

Withstanding voltage: 1000V AC/minute

Applicable wire: AWG#18-22



## Assembly layout



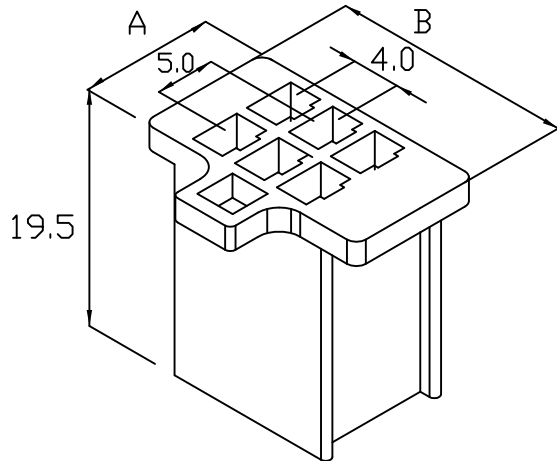
WIRE TO WIRE

# E738H-K .157" (4.0mm) PITCH HOUSING

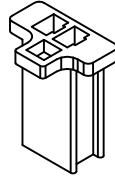
## Features:

- \* MAT'L: NYLON 66 UL 94V-2
- \* MATES WITH: E738 SERIES TERMINAL
- \* ACCEPTS WITH: E631-K SERIES HOUSING

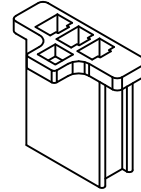
unit:mm



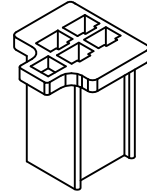
E738H-02K



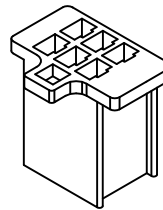
E738H-03K



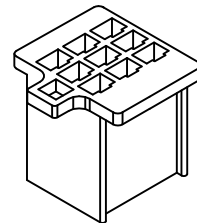
E738H-04K (2X2)



E738H-06K (2X3)



E738H-09K (3X3)



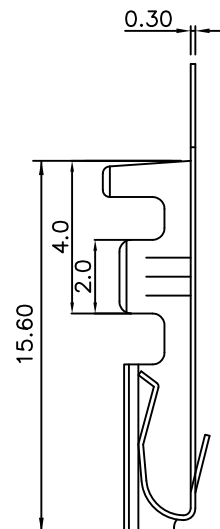
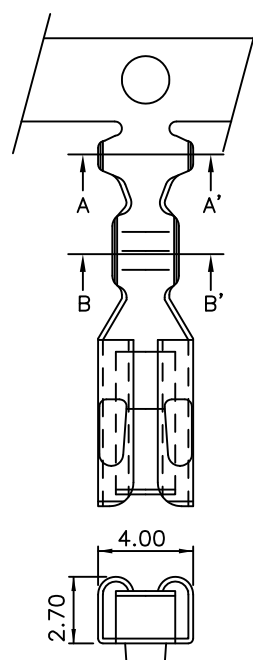
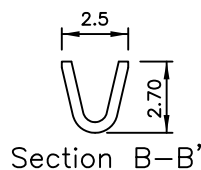
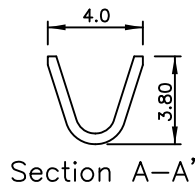
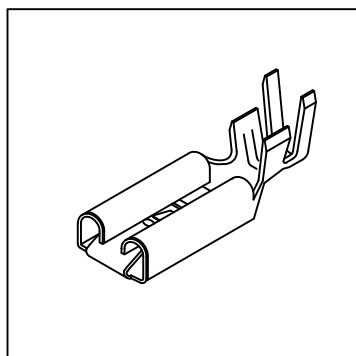
PRAT NO	A	B
E738H-02K(1X2)	6.2	16.4
E738H-03K(1X3)	6.2	20.4
E738H-04K(2X2)	11.2	16.4
E738H-06K(2X3)	11.2	20.4
E738H-09K(3X3)	16.2	20.4

# E738 ELECTRIC & MOTOR PARTS TERMINAL

## Features:

- \* THICKNESS: 0.3mm
- \* MAT'L: BRASS
- \* MATES WITH: E738H-K SERIES HOUSING

unit:mm



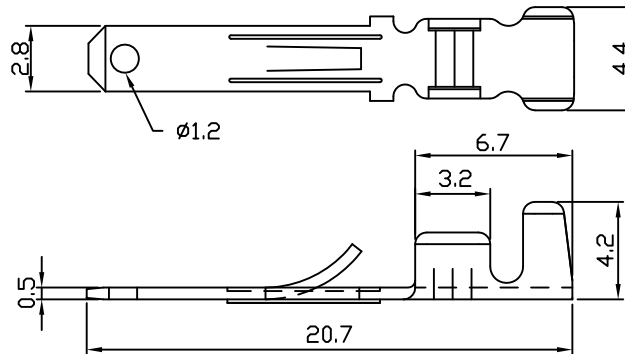
PART NO.	WIRE RANGE	INSULATION O.D.	MATERIAL	FINISH	QTY/REEL
E738	AWG#18-#22	φ1.5~φ2.0mm	BRASS	—	5000

# E631 FASTON TERMINAL

Features:

unit:mm

- \* THICKNESS: 0.5mm
- \* MATERIAL: BRASS
- \* TREATMENT: CHEMICAL GRADING
- \* ACCEPTS : E731 SERIES TERMINAL



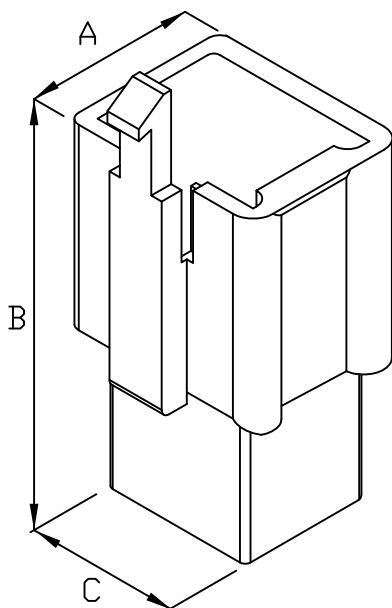
PART NO.	WIRE RANGE	INSULATION O.D.	MATERIAL	FINISH	QTY/REEL
E631	AWG#18-#22	φ1.9~φ2.5mm	BRASS	—	5000

# E631H-K .157" (4.0mm) PITCH HOUSING

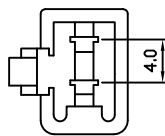
Features:

unit:mm

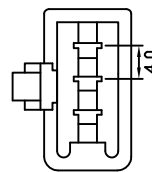
- \* MAT'L: NYLON 66 UL94V-2
- \* MATES WITH: E631 SERIES TERMINAL
- \* ACCEPTS WITH: E731-K SERIES HOUSING



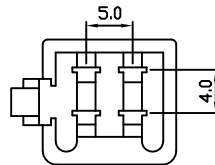
E631H-02K<1X2>



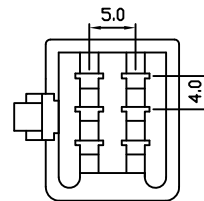
E631H-03K<1X3>



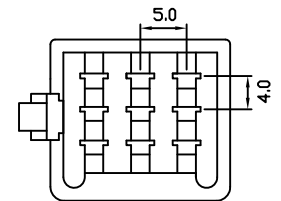
E631H-04K<2X2>



E631H-09K<2X3>



E631H-09K<3X3>



PART NO.	A	B	C
E631H-02K<1X2>	9.3	30.0	9.2
E631H-03K<1X3>	9.3	30.0	13.2
E631H-04K<2X2>	14.5	30.0	9.2
E631H-06K<2X3>	14.5	30.0	13.2
E631H-09K<3X3>	19.4	30.0	13.2