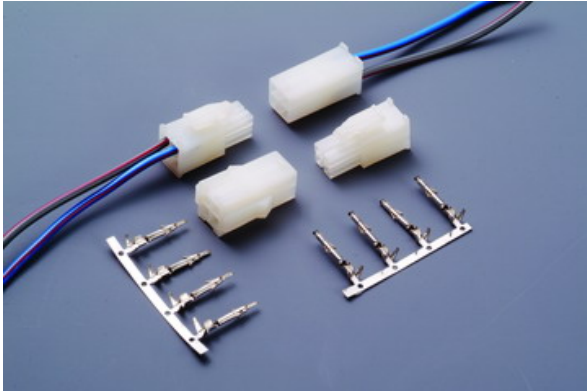


E010H/E110H SERIES

.163" (4.14mm) PITCH WIRE TO WIRE CONNECTOR



Specifications

Current rating: 5A AC,DC

Voltage rating: 300V AC,DC

Temperature range: -25°C to $+85^{\circ}\text{C}$
(including temperature rise)

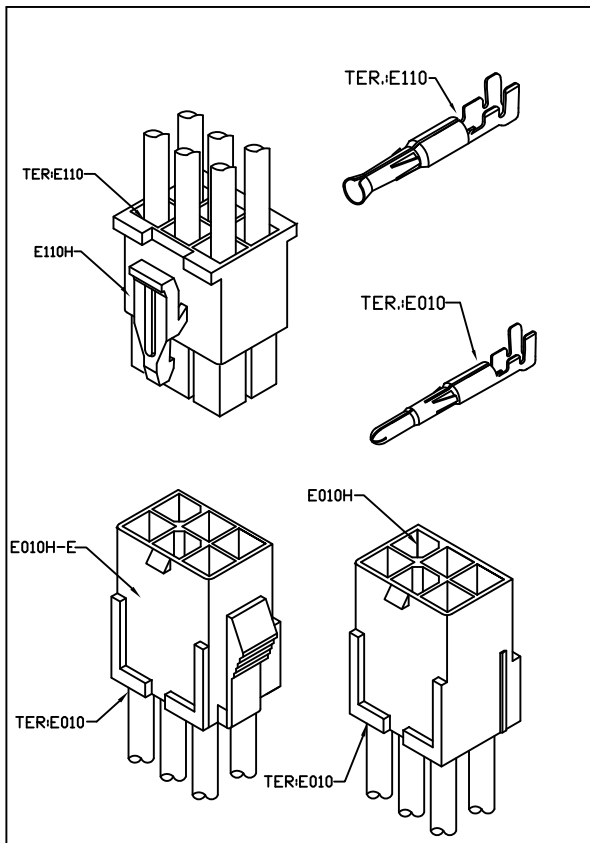
Contact resistance: Initial value/10m Ω Max.

After environmental testing/20m Ω Max.

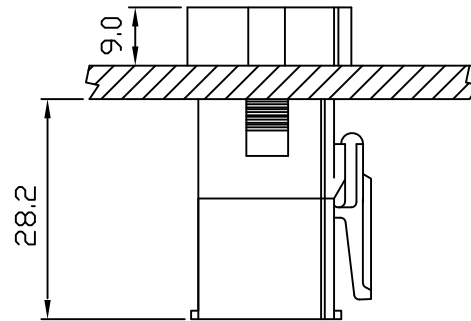
Insulation resistance: 1000M Ω MIN.

Withstanding voltage: 1500V AC/minute

Applicable wire: AWG#18~#24



Assembly layout



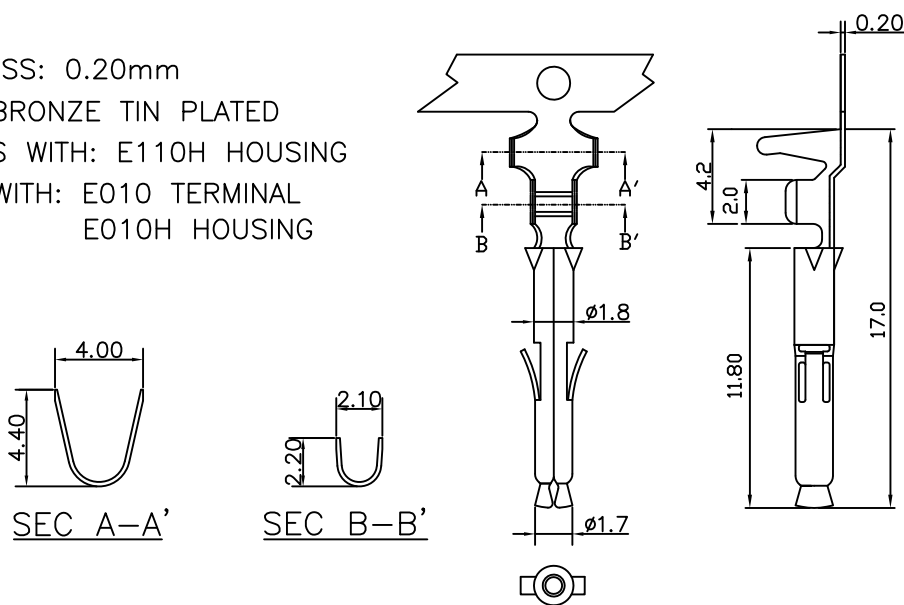
WIRE TO WIRE

E110 CRIMP TERMINAL

Features:

- * THICKNESS: 0.20mm
- * MAT'L: BRONZE TIN PLATED
- * ACCEPTS WITH: E110H HOUSING
- * MATES WITH: E010 TERMINAL
E010H HOUSING

unit:mm



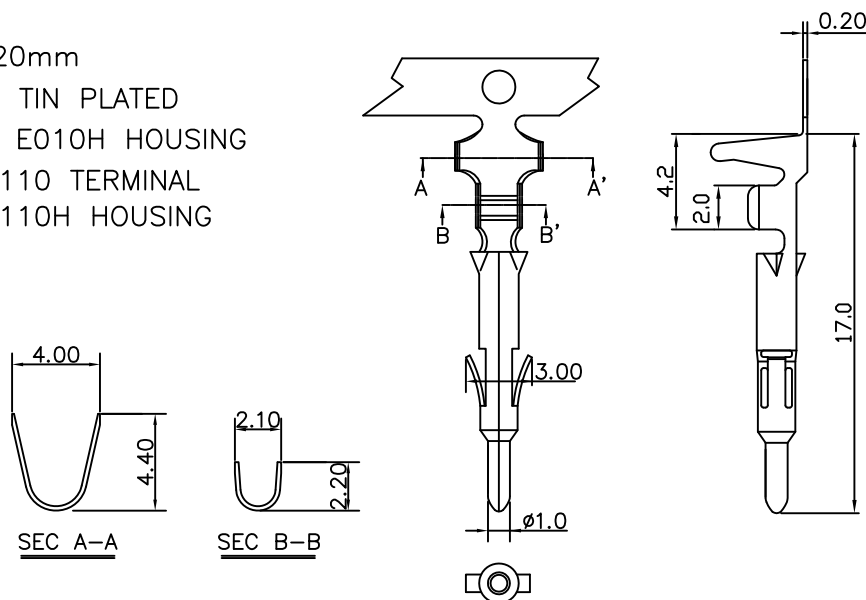
PART NO.	WIRE RANGE	INSULATION O.D.	MATERIAL	FINISH	QTY/REEL
E110	AWG#24-#18	$\phi 1.7-3.0$ mm	PHOSPHOR BRONZE	Tin-plated	4000

E010 CRIMP TERMINAL

Features:

- * THICKNESS: 0.20mm
- * MAT'L: BRONZE TIN PLATED
- * ACCEPTS WITH: E010H HOUSING
- * MATES WITH: E110 TERMINAL
E110H HOUSING

unit:mm



PART NO.	WIRE RANGE	INSULATION O.D.	MATERIAL	FINISH	QTY/REEL
E010	AWG#24-#18	$\phi 1.7-3.0$ mm	PHOSPHOR BRONZE	Tin-plated	4000

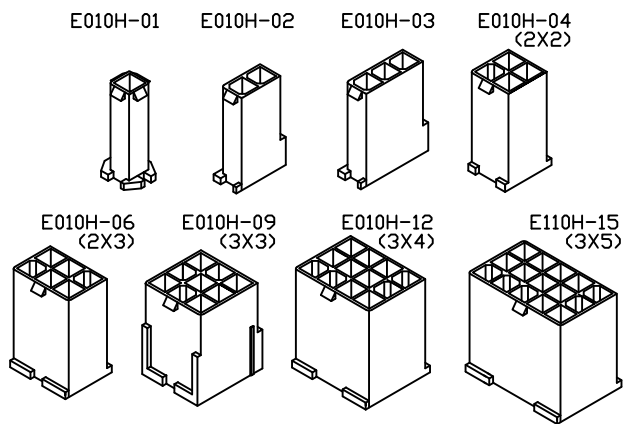
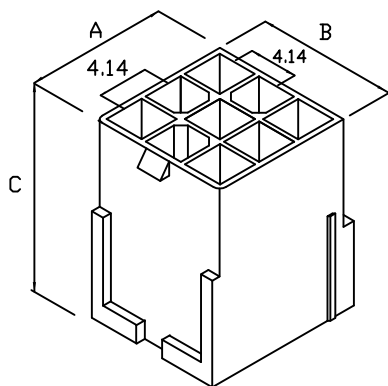
E010H E010H-E SERIES 4.14 pitch HOUSING

unit:mm

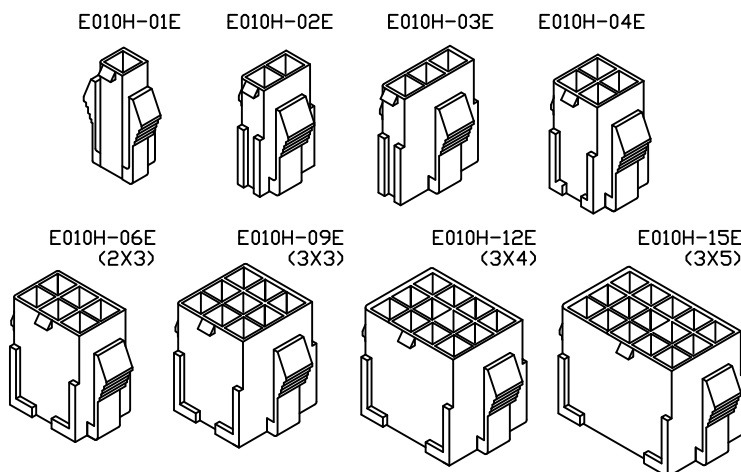
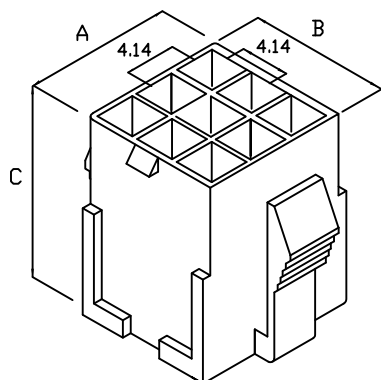
Features:

- * MAT'L:NYLON66 UL94 V-2
- * MATES E010 SERIES TERMINAL
- * ACCEPTS WITH: : E110H SERIES HOUSING

E010H



E010H-E



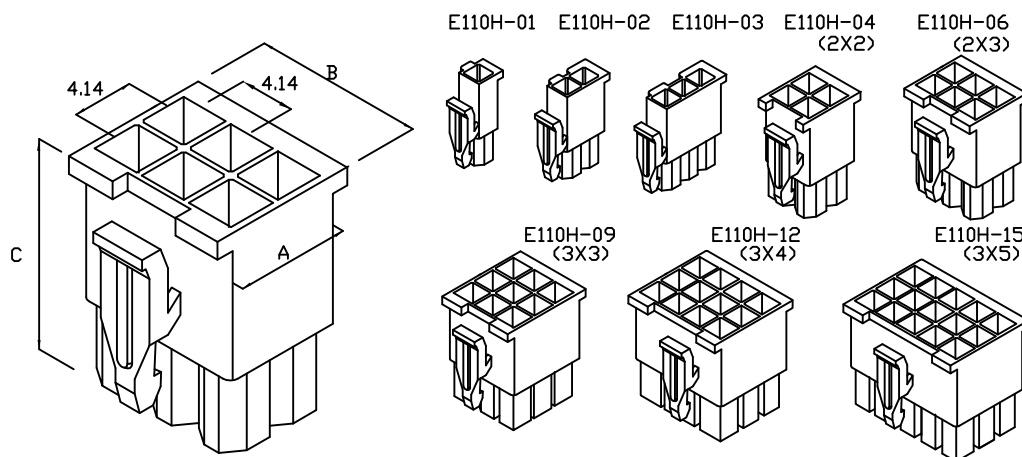
PRAT NO	A	B	C
E010H-01 E010H-01E	5.6	5.6	24.0
E010H-02 E010H-02E(2X1)	9.8	5.6	24.0
E010H-03 E010H-03E(3X1)	14.0	5.6	24.0
E010H-04 E010H-04E(2X2)	9.8	9.8	24.0
E010H-06 E010H-06E(2X3)	9.8	14.0	24.0
E010H-09 E010H-09E(3X3)	14.0	14.0	24.0
E010H-12 E010H-12E(3X4)	14.0	18.5	24.0
E010H-15 E010H-15E(3X5)	14.0	22.5	24.0

E110H SERIES 4.14 PITCH HOUSING

Features:

unit:mm

- * MAT'L: NYLON66 UL94 V-2
- * MATES: E110 SERIES TERMINAL
- * ACCEPTS WITH: : E010H & E010H-E SERIES HOUSING



PRAT NO.	A	B	C
E110H-01	5.6	5.6	24.0
E110H-02 (2X1)	9.8	5.6	24.0
E110H-03 (3X1)	14.0	5.6	24.0
E110H-04 (2X2)	9.8	9.8	24.0
E110H-06 (2X3)	9.8	14.0	24.0
E110H-09 (3X3)	14.0	14.0	24.0
E110H-12 (3X4)	14.0	18.5	24.0
E110H-15 (3X5)	14.0	23.0	24.0