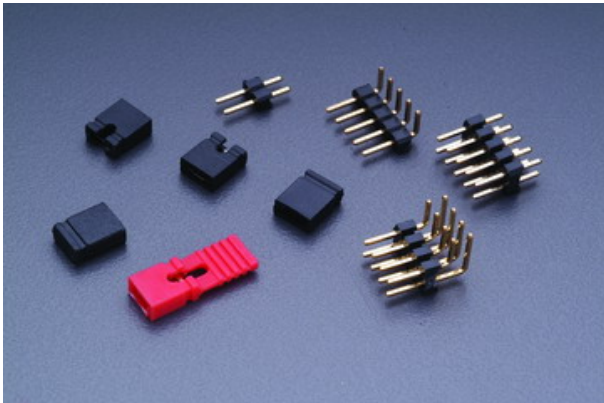


# JUMPER SERIES

.079" (2.0mm) PITCH



## Specifications

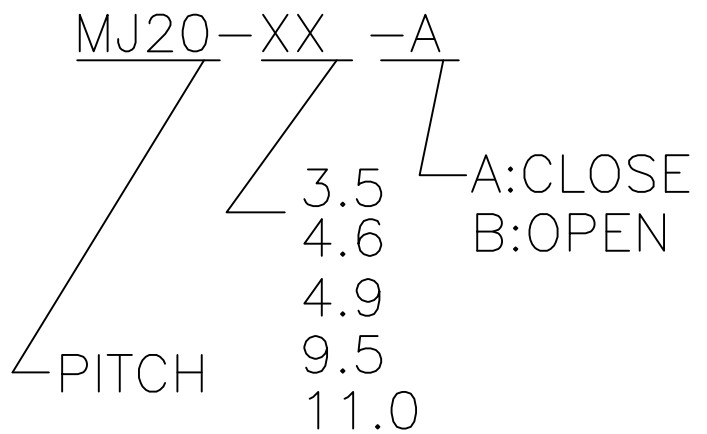
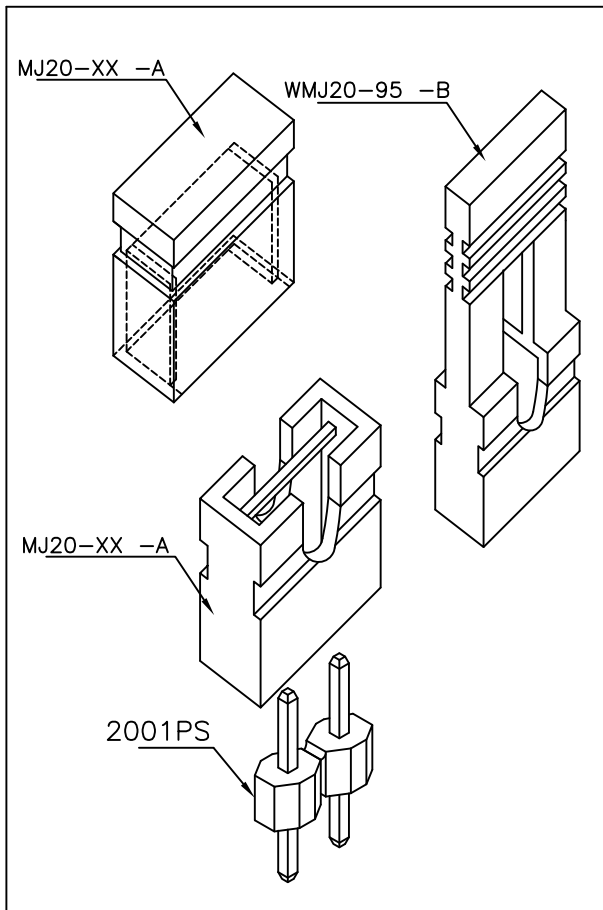
Current rating: 1A AC,DC

Voltage rating: 5000V AC,DC

Temperature range: -40°C to +105°C

Insulation resistance: 5000M $\Omega$  MIN.

Withstanding voltage: 500V AC/minute



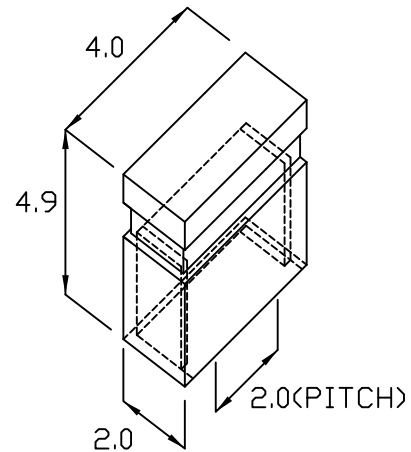
**COLER: BLOCK.BROWN RED ORANG  
ORANG YELLOW GREEN**

***MJ20-49-A*** .079"(2.0mm) PITCH MINI JUMPER

unit:mm

Features:

- \* MAT'L: CONTACT: PHOSPHOR BRONZE
- \* INSULATOR: POLYESTER P.B.T UL94V-0 RATED
- \* MATES: 2001PS SERIES WAFAR

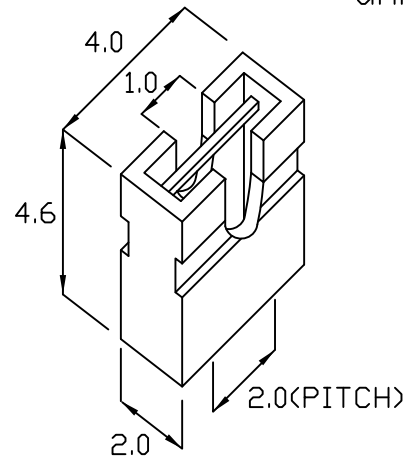


***MJ20-46-B*** .079"(2.0mm) PITCH MINI JUMPER

unit:mm

Features:

- \* MAT'L: CONTACT: PHOSPHOR BRONZE
- \* INSULATOR: POLYESTER P.B.T UL94V-0 RATED
- \* MATES: 2001PS SERIES WAFAR



***WMJ20-95-B*** .079"(2.0mm) PITCH MINI JUMPER

unit:mm

Features:

- \* MAT'L: CONTACT: PHOSPHOR BRONZE
- \* INSULATOR: POLYESTER P.B.T UL94V-0 RATED
- \* MATES: 2001PS SERIES WAFAR

