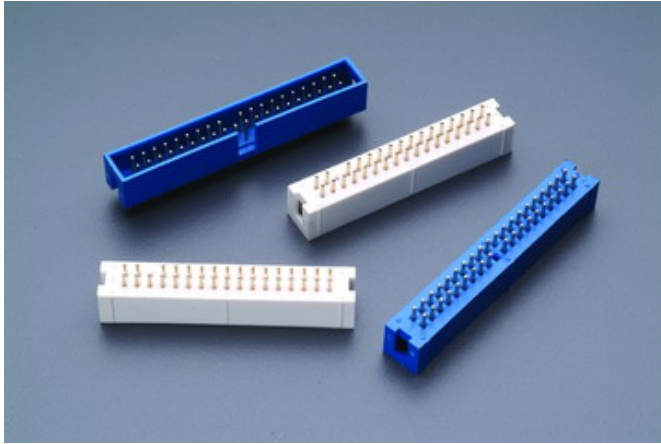


BOX HEADER SERIES

.100" (2.54mm) BOX HEADER



Specifications

Current rating: 3A AC,DC

Voltage rating: 250V AC,DC

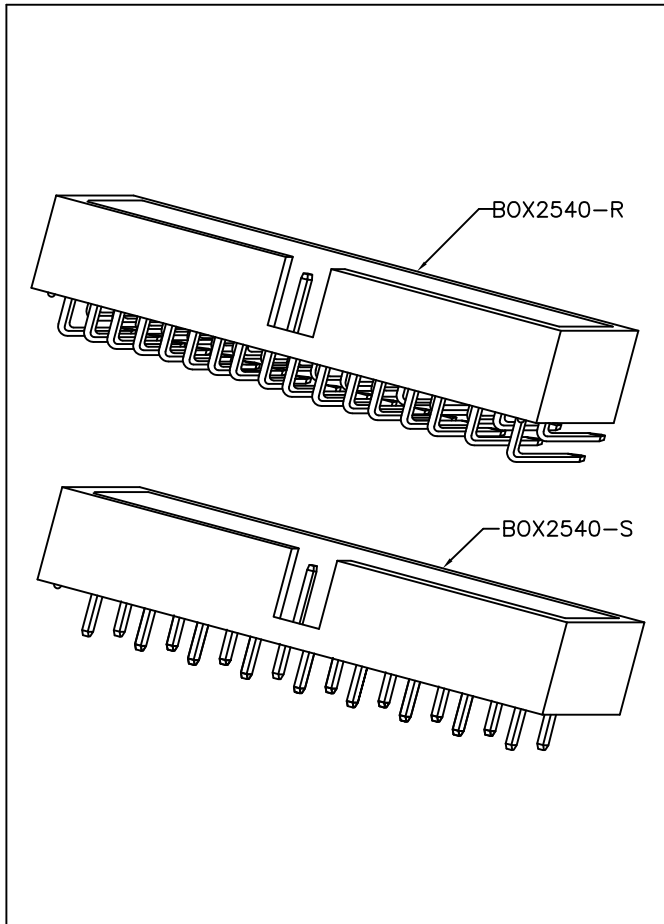
Temperature range: -25°C to $+125^{\circ}\text{C}$
(including temperature rise)

Contact resistance: Initial value/20m Ω Max.

After environmental testing/20m Ω Max.

Insulation resistance: 1000M Ω MIN.

Withstanding voltage: 1000V AC/minute



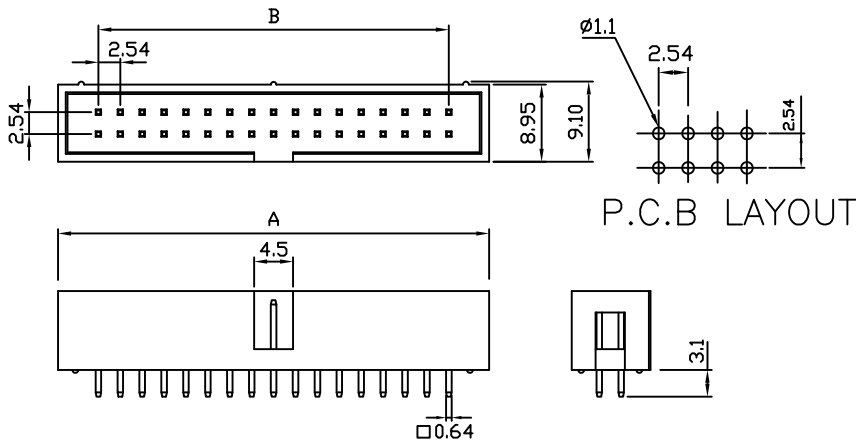
Assembly layout

BOX2540-S .100" (2.54mm) BOX HEADER

Features:

- * MAT'L: BODY: PBT UL94V-0
PINS: BRASS GOLD OR TIN PLATED

unit:mm



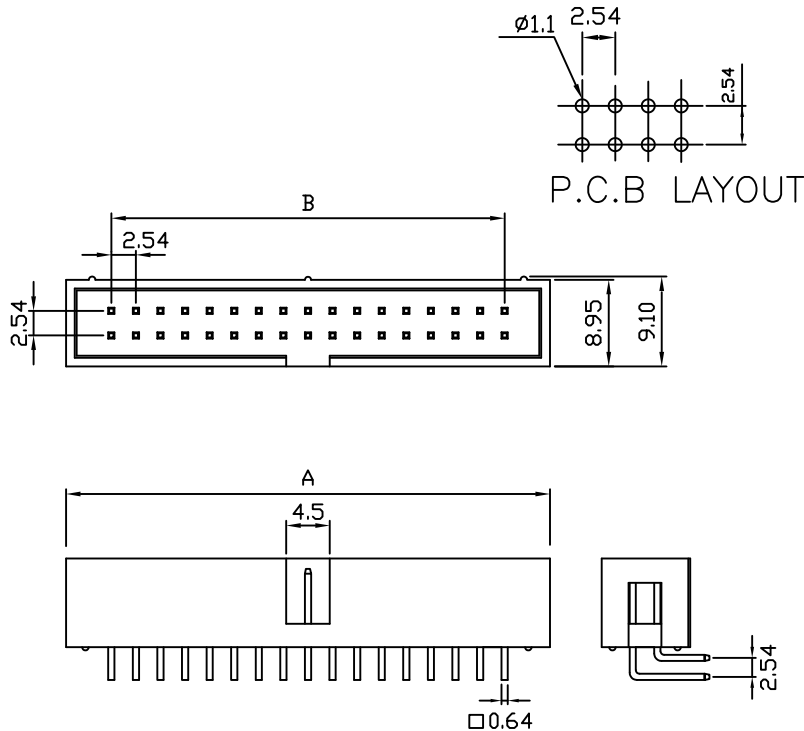
PRAT NO.	A	B
BOX2540-S(2x03)	15.32	5.08
BOX2540-S(2x04)	17.86	7.62
BOX2540-S(2x05)	20.40	10.16
BOX2540-S(2x06)	22.94	12.70
BOX2540-S(2x07)	25.48	15.24
BOX2540-S(2x08)	28.02	17.78
BOX2540-S(2x10)	33.10	22.86
BOX2540-S(2x12)	38.18	27.94
BOX2540-S(2x13)	40.72	30.48
BOX2540-S(2x15)	45.80	35.56
BOX2540-S(2x17)	50.88	40.64
BOX2540-S(2x20)	58.50	48.26
BOX2540-S(2x22)	63.58	53.34
BOX2540-S(2x24)	68.66	58.42
BOX2540-S(2x25)	71.20	60.96
BOX2540-S(2x30)	83.90	73.66
BOX2540-S(2x32)	88.98	78.74

BOX2540-R .100" (2.54mm) BOX HEADER

Features:

- * MAT'L: BODY: PBT UL94V-0
PINS: BRASS GOLD OR TIN PLATED

unit:mm



PRAT NO.	A	B
BOX2540-R(2x03)	15.32	5.08
BOX2540-R(2x04)	17.86	7.62
BOX2540-R(2x05)	20.40	10.16
BOX2540-R(2x06)	22.94	12.70
BOX2540-R(2x07)	25.48	15.24
BOX2540-R(2x08)	28.02	17.78
BOX2540-R(2x10)	33.10	22.86
BOX2540-R(2x12)	38.18	27.94
BOX2540-R(2x13)	40.72	30.48
BOX2540-R(2x15)	45.80	35.56
BOX2540-R(2x17)	50.88	40.64
BOX2540-R(2x20)	58.50	48.26
BOX2540-R(2x22)	63.58	53.34
BOX2540-R(2x24)	68.66	58.42
BOX2540-R(2x25)	71.20	60.96
BOX2540-R(2x30)	83.90	73.66
BOX2540-R(2x32)	88.98	78.74