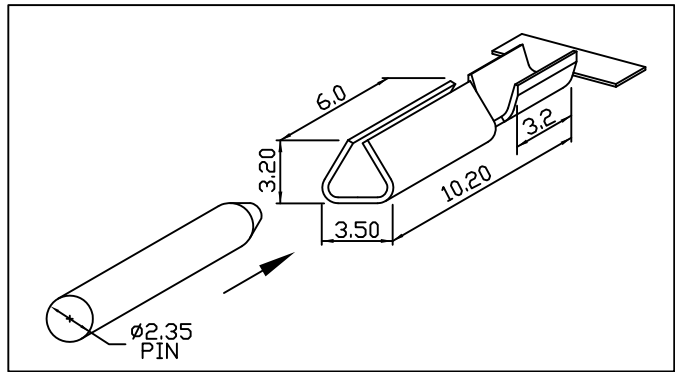
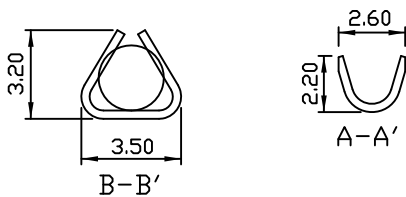


235 SERIES TERMINAL

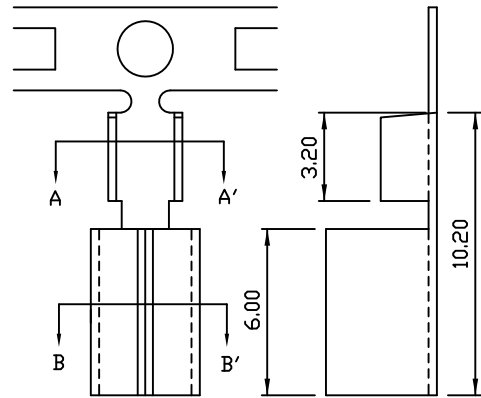


Features:

- * THICKNESS: 0.3mm
- * MAT'L: PHOSPHOR BRONZE TIN PLATED
- * APPLICABLE WIRE RANGE: #20

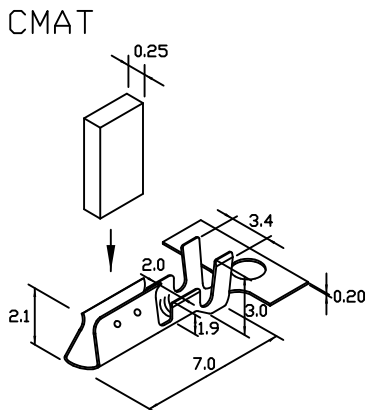


235



CAMERA SERIES

unit:mm



Specifications

- Current rating: 3A AC,DC
- Voltage rating: 250V AC,DC
- Temperature range: -25°C to $+85^{\circ}\text{C}$
(including temperature rise)
- Contact resistance: Initial value/10m Ω Max.
After environmental testing/20m Ω Max.
- Insulation resistance: 500m Ω MIN
- Withstanding voltage: 1000V AC/minute
- Applicable wire: AWG#22-24

Standards

| PART/NO. | WIRE RANGE | INSULATION O.D. | QTY/REEL | MATERIAL |
|----------|------------|-------------------------|----------|-----------------|
| CMAT | AWG#22-#24 | $\phi 1.2-2.2\text{mm}$ | 8000 | PHOSPHOR BRONZE |