

# 1501H SERIES

.059" (1.50mm) PITCH WIRE TO BOARD CONNECTOR



## Specifications

Current rating: 1A AC,DC

Voltage rating: 100V AC,DC

Temperature range:  $-25^{\circ}\text{C}$  to  $+85^{\circ}\text{C}$   
(including temperature rise)

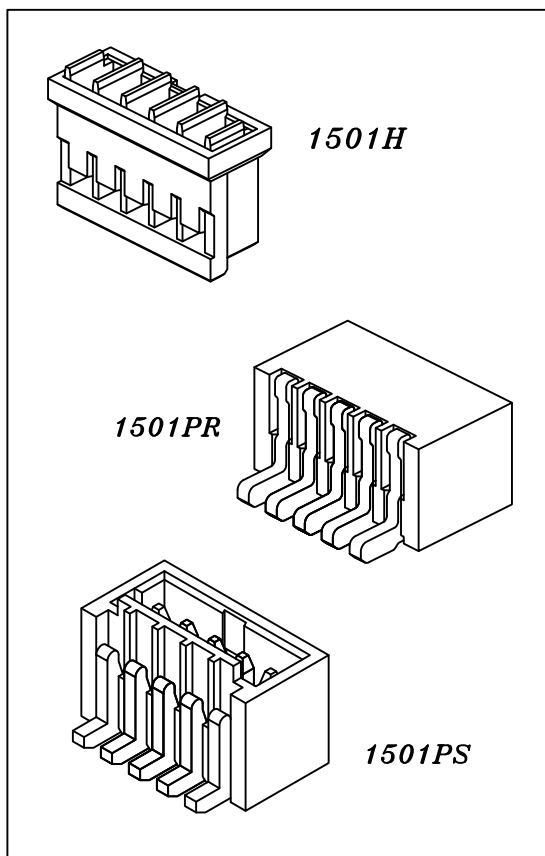
Contact resistance: Initial value/10  $\text{m}\Omega$  Max.

After environmental testing/20 $\text{m}\Omega$  Max.

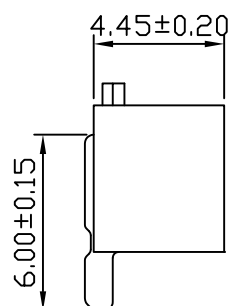
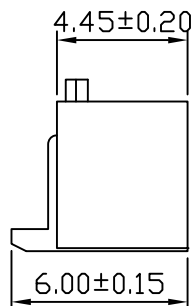
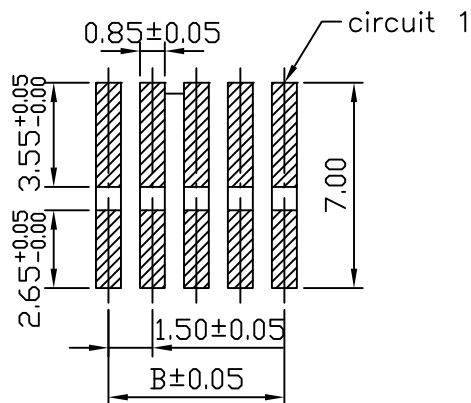
Insulation resistance: 500 $\text{M}\Omega$  MIN.

Withstanding voltage: 500V AC/minute

Applicable wire: AWG#24~#28



## Side enter type



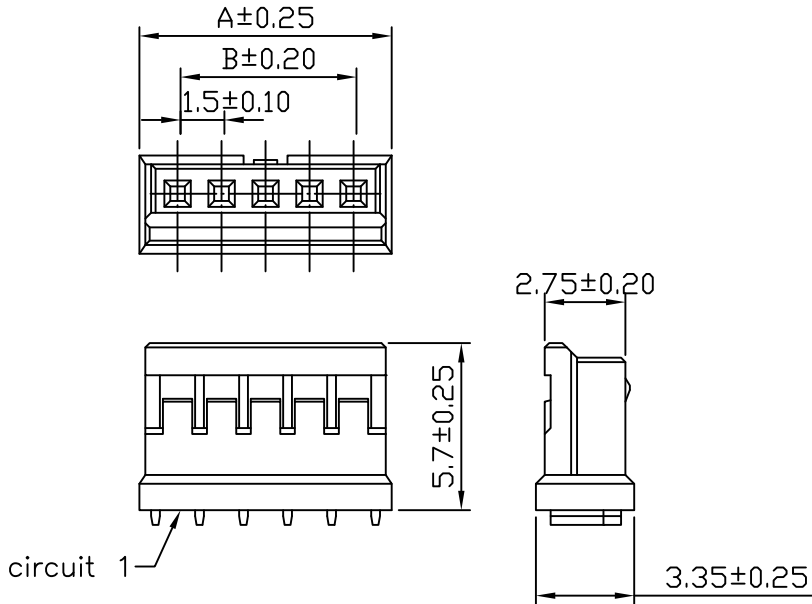
# 1501H .059" (1.50mm) PITCH HOUSING

Features:

unit:mm

- \* MAT'L: NYLON 66 UL94V-0
- \* MATES WITH: 1501 SERIES TERMINAL
- \* ACCEPTS WITH: 1501PR-S&1501PS SERIES WAFER

PART NO.	A	B
1501H-02	4.1	1.5
1501H-03	5.6	3.0
1501H-04	7.1	4.5
1501H-05	8.6	6.0
1501H-06	10.1	7.5
1501H-07	11.6	9.0
1501H-08	13.1	10.5
1501H-09	14.6	12.0
1501H-10	16.1	13.5
1501H-11	17.6	15.0
1501H-12	19.1	16.5
1501H-13	20.6	18.0
1501H-14	22.1	19.5
1501H-15	23.6	21.0

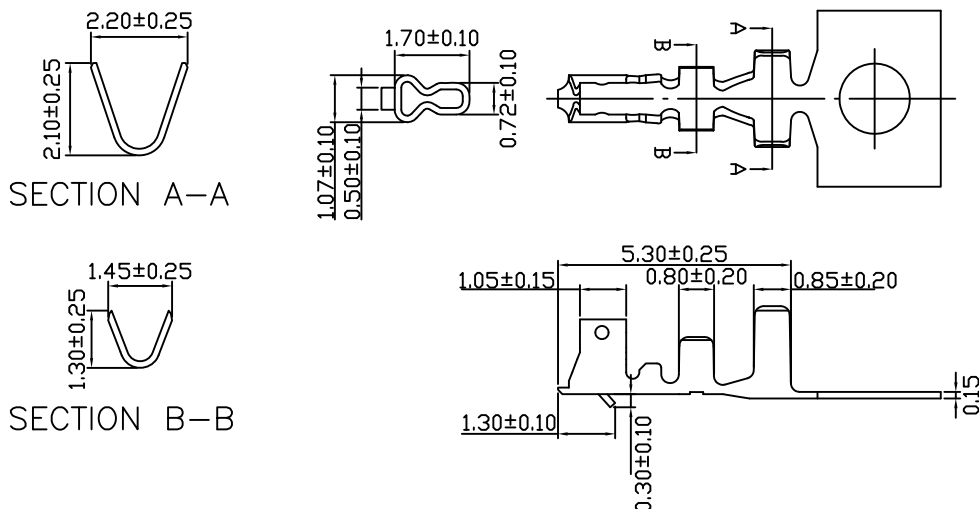


# 1501 .059" (1.50mm) PITCH CRIMP TERMINAL

Features:

unit:mm

- \* THICKNESS: 0.15mm
- \* MAT'L: PHOSPHOR BRONZE TIN PLATED
- \* MATES WITH: 1501H SERIES HOUSING



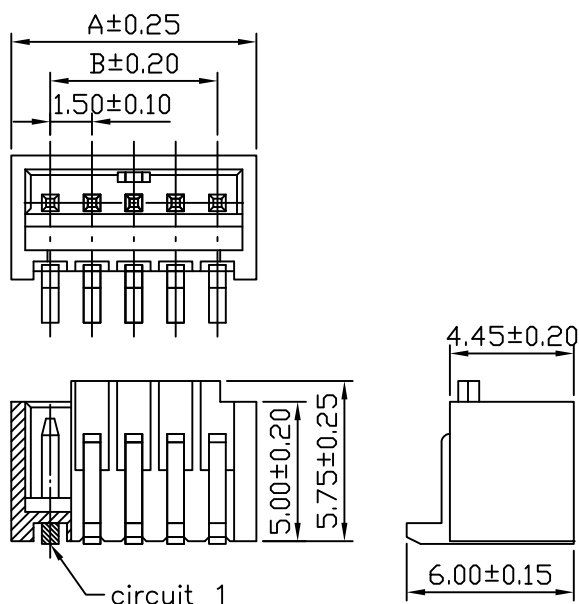
PART NO.	WIRE RANGE	INSULATION O.D.	MATERIAL	FINISH	QTY/REEL
1501-P	AWG#24-#28	ø1.10mm MAX	PHOSPHOR BRONZE	Tin-plated	10,000

# 1501PS .059" (1.50mm) PITCH Headers—Straight

unit:mm

## Features:

- \* MAT'L: BODY: NYLON 6T, UL94V-0  
PINS: BRASS TIN PLATED
- \* MATES WITH: 1501H SERIES HOUSING
- \* ACCEPTS WITH: 1501-P SERIES TERMINAL



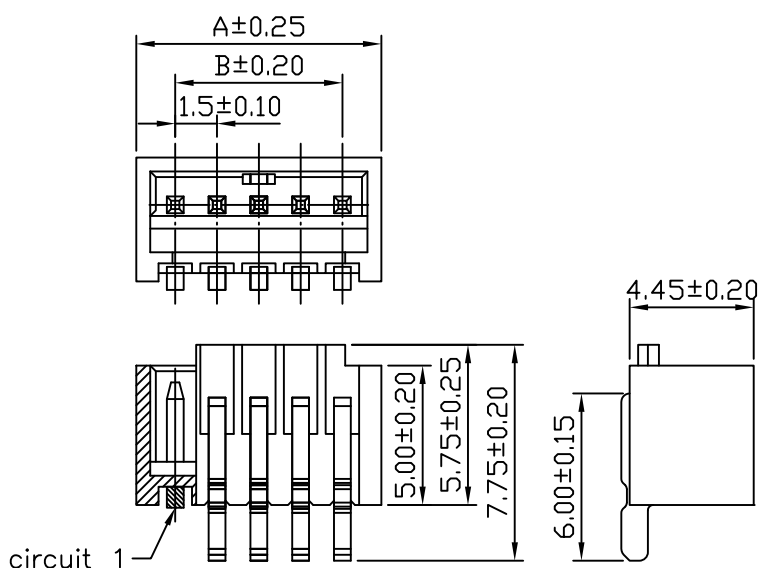
PART NO.	A	B
1501PS-02	4.3	1.5
1501PS-03	5.8	3.0
1501PS-04	7.3	4.5
1501PS-05	8.8	6.0
1501PS-06	10.3	7.5
1501PS-07	11.8	9.0
1501PS-08	13.3	10.5
1501PS-09	14.8	12.0
1501PS-10	16.3	13.5
1501PS-11	17.8	15.0
1501PS-12	19.3	16.5
1501PS-13	20.8	18.0
1501PS-14	22.3	19.5
1501PS-15	23.8	21.0

# 1501PR .059" (1.50mm) PITCH Headers—Right Angle

unit:mm

## Features:

- \* MAT'L: BODY: NYLON 6T, UL94V-0  
PINS: BRASS TIN PLATED
- \* MATES WITH: 1501H SERIES HOUSING
- \* ACCEPTS WITH: 1501-P SERIES TERMINAL



PART NO.	A	B
1501PR-02	4.3	1.5
1501PR-03	5.8	3.0
1501PR-04	7.3	4.5
1501PR-05	8.8	6.0
1501PR-06	10.3	7.5
1501PR-07	11.8	9.0
1501PR-08	13.3	10.5
1501PR-09	14.8	12.0
1501PR-10	16.3	13.5
1501PR-11	17.8	15.0
1501PR-12	19.3	16.5
1501PR-13	20.8	18.0
1501PR-14	22.3	19.5
1501PR-15	23.8	21.0