

# 2501H SERIES

.098" (2.5mm) PITCH WIRE TO BOARD CONNECTOR



## Specifications

Current rating: 3A AC,DC

Voltage rating: 250V AC,DC

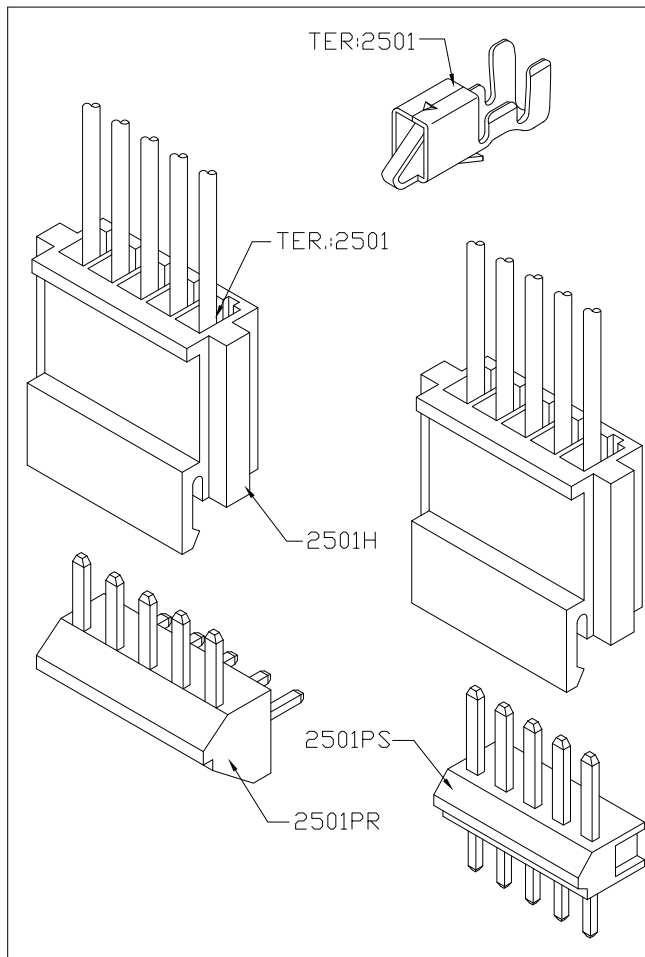
Temperature range:  $-25^{\circ}\text{C}$  to  $+85^{\circ}\text{C}$   
(including temperature rise)

Contact resistance: Initial value/10m $\Omega$  Max.  
After environmental testing/20m $\Omega$  Max.

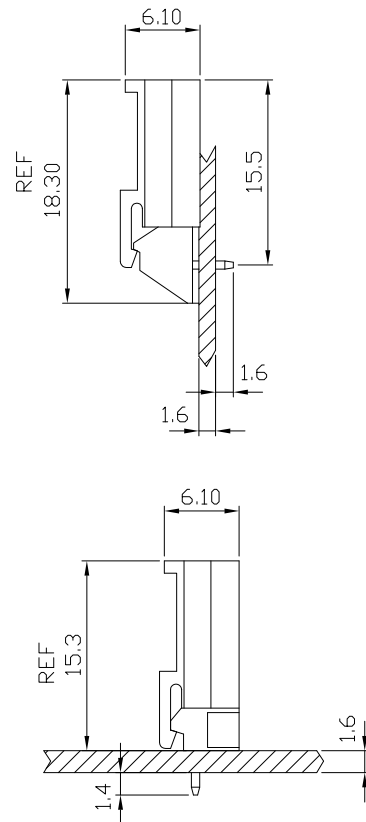
Insulation resistance: 500M $\Omega$  MIN.

Withstanding voltage: 1500V AC/minute

Applicable wire: AWG#22-26



## Assembly layout

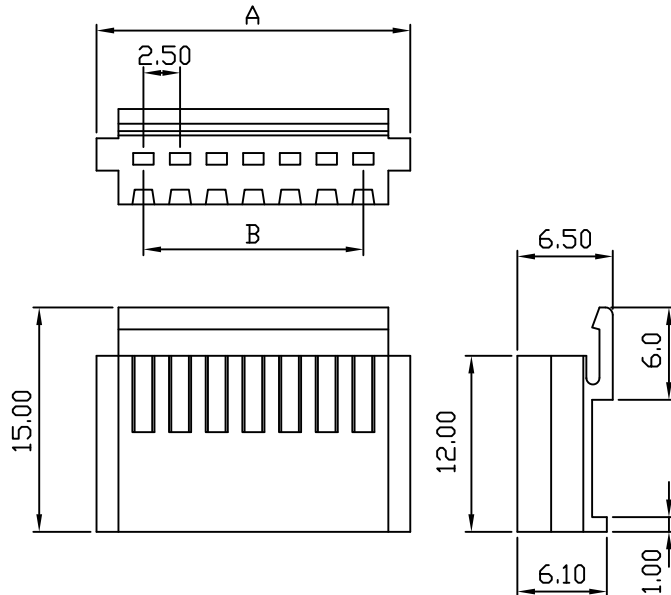


## 2501H .098" (2.5mm) PITCH CRIMP HOUSING

Features:

unit:mm

- \* MAT'L: NYLON 66 UL94V-2
- \* MATES WITH: 2501 SERIES TERMINAL
- \* ACCEPTS WITH: 2501PS 2501PR SERIES WAFER



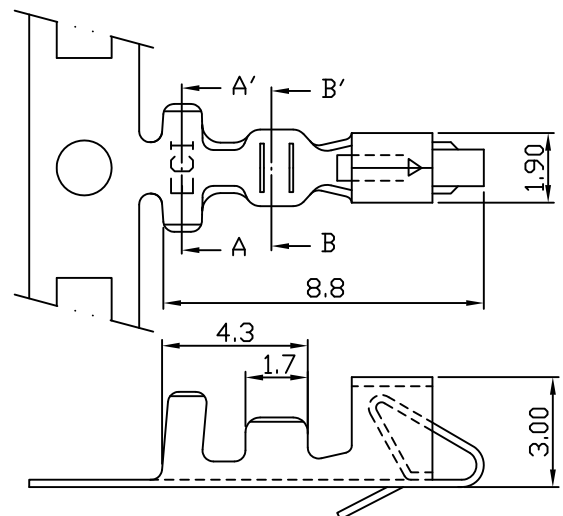
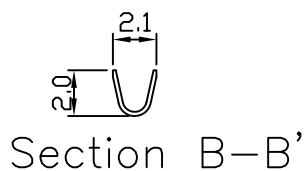
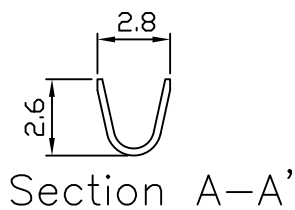
| PART NO. | A    | B    |
|----------|------|------|
| 2501H-02 | 2.5  | 8.9  |
| 2501H-03 | 5.0  | 11.4 |
| 2501H-04 | 7.5  | 13.9 |
| 2501H-05 | 10.0 | 16.4 |
| 2501H-06 | 12.5 | 18.9 |
| 2501H-07 | 15.0 | 21.4 |
| 2501H-08 | 17.5 | 23.9 |
| 2501H-09 | 20.0 | 26.4 |
| 2501H-10 | 22.5 | 28.9 |

## 2501 .098" (2.5mm) PITCH CRIMP TERMINAL

Features:

unit:mm

- \* THICKNESS: 0.20mm
- \* MAT'L: BRASS TIN PLATED
- \* MATES WITH :2501H 2501CH SERIES HOUSING



| PART NO. | WIRE RANGE | INSULATION O.D. | MATERIAL | FINISH     | QTY/REEL |
|----------|------------|-----------------|----------|------------|----------|
| 2501     | #22-#26    | ø1.7mm max      | BRASS    | Tin-plated | 7,000    |

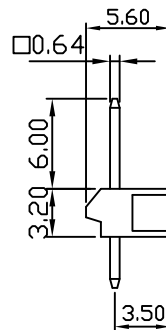
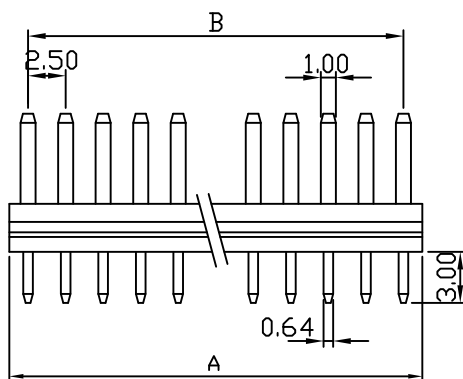
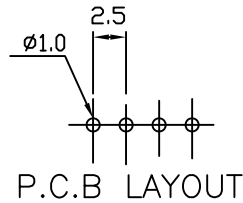
# 2501PS .098" (2.5mm) PITCH Headers—Right Angle

unit:mm

## Features:

- \* MAT'L: BODY: NYLON 66 UL94V-2  
PINS: BRASS TIN PLATED
- \* MATES WITH: 2501 SERIES TERMINAL
- \* ACCEPTS: WITH 2501H SERIES HOUSING

| PART NO.  | A    | B    |
|-----------|------|------|
| 2501PS-02 | 5.0  | 2.5  |
| 2501PS-03 | 7.5  | 5.0  |
| 2501PS-04 | 10.0 | 7.5  |
| 2501PS-05 | 12.5 | 10.0 |
| 2501PS-06 | 15.0 | 12.5 |
| 2501PS-07 | 17.5 | 15.0 |
| 2501PS-08 | 20.0 | 17.5 |
| 2501PS-09 | 22.5 | 20.0 |
| 2501PS-10 | 25.0 | 22.5 |
| 2501PS-11 | 27.5 | 25.0 |
| 2501PS-12 | 30.0 | 27.5 |
| 2501PS-13 | 32.5 | 30.0 |
| 2501PS-14 | 35.0 | 32.5 |
| 2501PS-15 | 37.5 | 35.0 |
| 2501PS-16 | 40.0 | 37.5 |
| 2501PS-17 | 42.5 | 40.0 |
| 2501PS-18 | 45.0 | 42.5 |
| 2501PS-19 | 47.5 | 45.0 |
| 2501PS-20 | 50.0 | 47.5 |

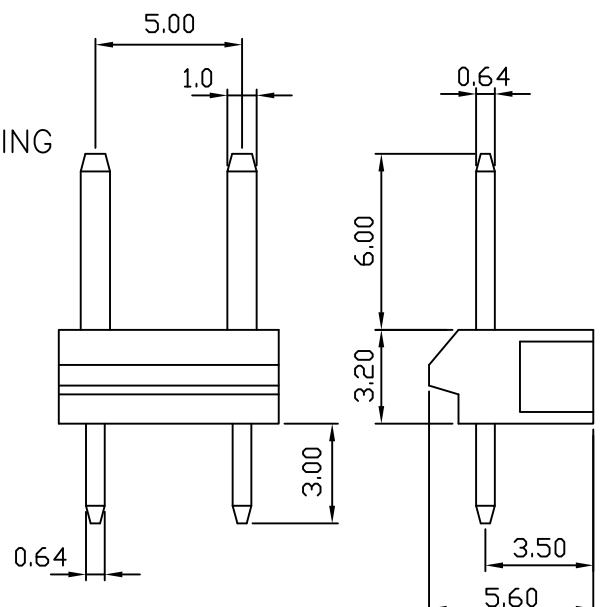
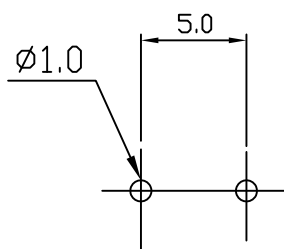


# 2501PS-03N2 .098" (2.5mm) PITCH Headers—Straight

unit:mm

## Features:

- \* MAT'L: BODY: NYLON-66UL 94V-2  
PINS: BRASS TIN PLATED
- \* MATES WITH: 2501 SERIES TERMINAL
- \* ACCEPTS WITH: 2501H SERIES HOUSING

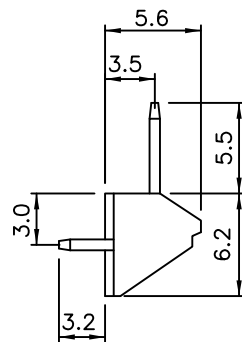
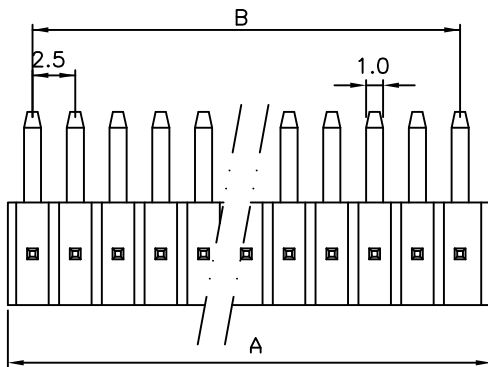
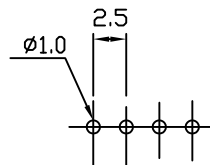


# 2501PR .098" (2.5mm) PITCH Headers—Right Angle

unit:mm

## Features:

- \* MAT'L: BODY: NYLON-66UL 94V-2  
PINS: BRASS TIN PLATED
- \* MATES WITH: 2501 SERIES TERMINAL
- \* ACCEPTS WITH: 2501H SERIES HOUSING



| PART NO.  | A    | B    |
|-----------|------|------|
| 2501PR-02 | 5.0  | 2.5  |
| 2501PR-03 | 7.5  | 5.0  |
| 2501PR-04 | 10.0 | 7.5  |
| 2501PR-05 | 12.5 | 10.0 |
| 2501PR-06 | 15.0 | 12.5 |
| 2501PR-07 | 17.5 | 15.0 |
| 2501PR-08 | 20.0 | 17.5 |
| 2501PR-09 | 22.5 | 20.0 |
| 2501PR-10 | 25.0 | 22.5 |
| 2501PR-11 | 27.5 | 25.0 |
| 2501PR-12 | 30.0 | 27.5 |
| 2501PR-13 | 32.5 | 30.0 |
| 2501PR-14 | 35.0 | 32.5 |
| 2501PR-15 | 37.5 | 35.0 |
| 2501PR-16 | 40.0 | 37.5 |
| 2501PR-17 | 42.5 | 40.0 |
| 2501PR-18 | 45.0 | 42.5 |
| 2501PR-19 | 47.5 | 45.0 |
| 2501PR-20 | 50.0 | 47.5 |