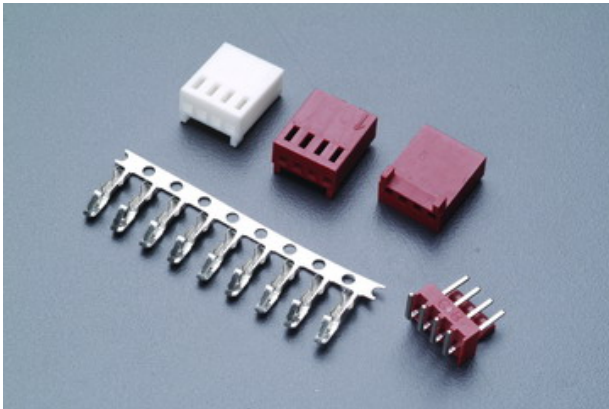


2510Z SERIES

.100" (2.54mm) PITCH WIRE TO BOARD CONNECTOR



Specifications

Current rating: 3A AC,DC

Voltage rating: 250V AC,DC

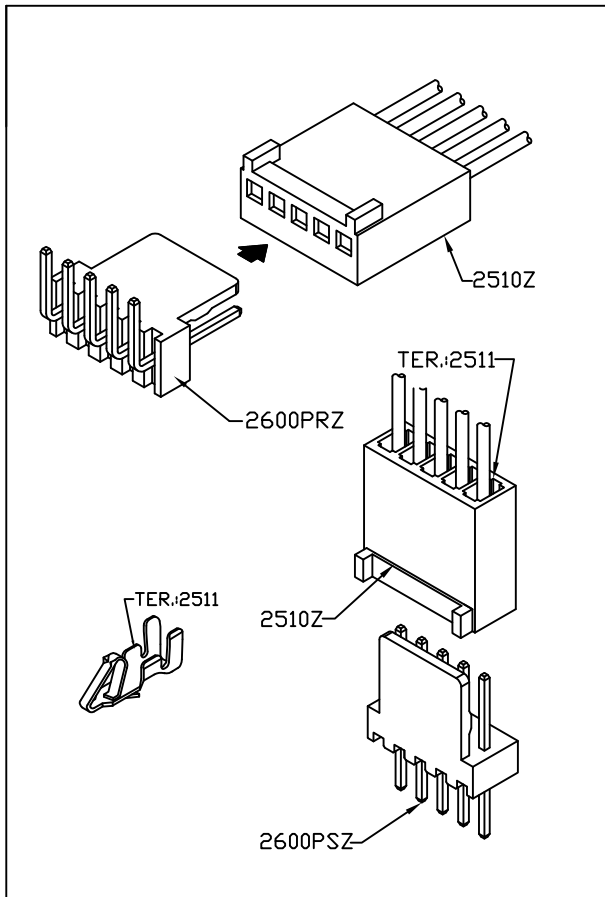
Temperature range: -25°C to $+85^{\circ}\text{C}$
(including temperature rise)

Contact resistance: Initial value/10 $\text{m}\Omega$ Max.
After environmental testing/20 $\text{m}\Omega$ Max.

Insulation resistance: 1000 $\text{M}\Omega$ MIN.

Withstanding voltage: 1000V AC/minute

Applicable wire: AWG#22-28



Assembly layout

2511 .100" (2.54mm) PITCH CRIMP TERMINAL

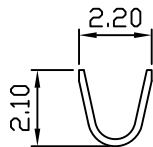
Features:

unit:mm

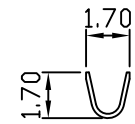
- * THICKNESS: 0.2mm
- * MAT'L:PHOSPHOR BRONZE & BRASS TIN PLATED
- * MATES WITH : 2510 SERIES HOUSING
- * ACCEPTS WITH : 2600PS & 2600PR SERIES WAFER
- * ACCEPTS WITH 0.64mm(.025") SQUARE PIN

2511

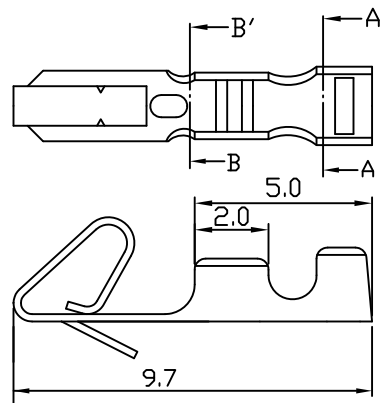
2511P



Section A-A'



Section B-B'



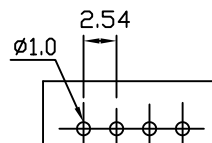
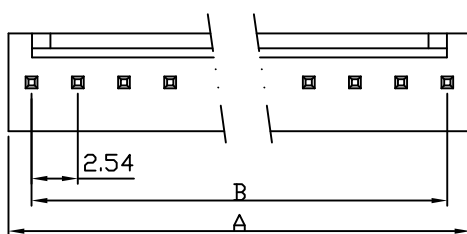
PART NO.	WIRE RANGE	INSULATION O.D.	MATERIAL	FINISH	QTY/REEL
2511	AWG #22-28	ø1.5mm max	BRASS	Tin-plated	10,000
2511-P	AWG #22-28	ø1.5mm max	PHOSPHOR BRONZE	Tin-plated	10,000

2600PRZ .100" (2.54mm) PITCH Headers-Right Angle

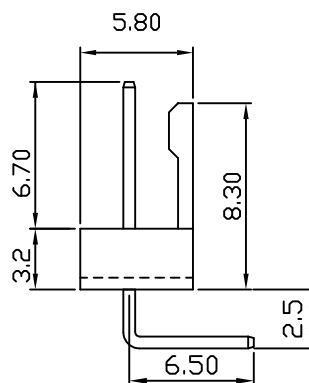
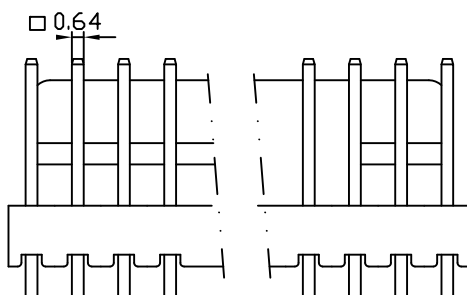
unit:mm

Features:

- * MAT'L: BODY: NYLON 66 UL94V-2
PINS: BRASS TIN PLATED
- * MATES WITH: 2511 SERIES TERMINAL
- * ACCEPTS WITH: 2510Z SERIES HOUSING



P.C.B LAYOUT



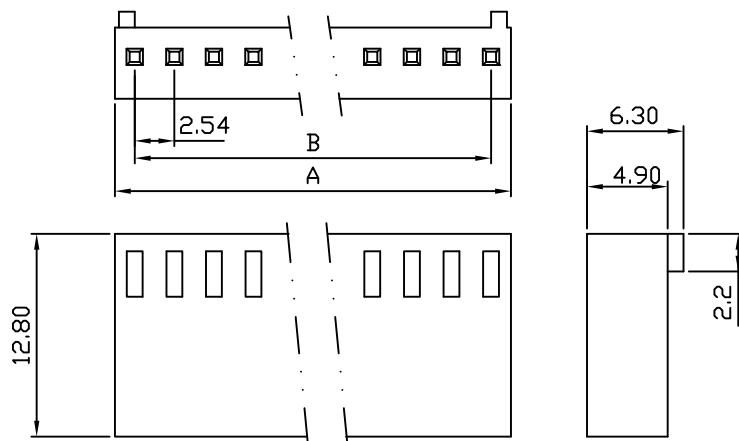
PART NO.	A	B
2600PRZ- 02	5.08	2.54
2600PRZ- 03	7.62	5.08
2600PRZ- 04	10.16	7.62
2600PRZ- 05	12.70	10.16
2600PRZ- 06	15.24	12.70
2600PRZ- 07	17.78	15.24
2600PRZ- 08	20.32	17.78
2600PRZ- 09	22.86	20.32
2600PRZ- 10	25.40	22.86
2600PRZ- 11	27.94	25.40
2600PRZ- 12	30.48	27.94

2510Z .100" (2.54mm) PITCH CRIMP HOUSING

unit:mm

Features:

- * MAT'L: NYLON 66 UL94V-2
- * MATES WITH: 2511 & S2511 SERIES TERMINAL
- * ACCEPTS WITH: 2600PSZ 2600PRZ SERIES WAFER



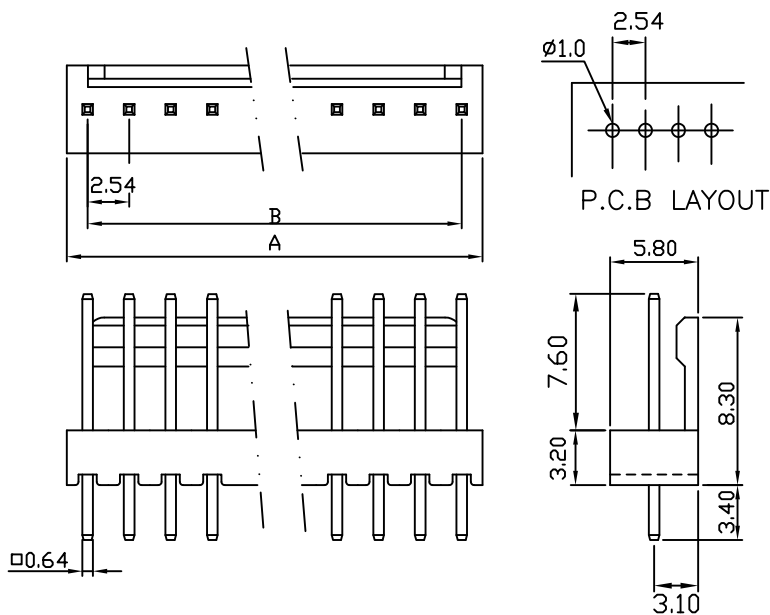
PART NO.	A	B
2510Z- 02	5.68	2.54
2510Z- 03	8.22	5.08
2510Z- 04	10.76	7.62
2510Z- 05	13.30	10.16
2510Z- 06	15.84	12.70
2510Z- 07	18.38	15.24
2510Z- 08	20.92	17.78
2510Z- 09	23.46	20.32
2510Z- 10	26.00	22.86
2510Z- 11	28.54	25.40
2510Z- 12	31.08	27.94

2600PSZ .100" (2.54mm) PITCH Headers—Straight

unit:mm

Features:

- * MAT'L: BODY: NYLON 66 UL94V-2
PINS: BRASS TIN PLATED
- * MATES WITH: 2511 SERIES TERMINAL
- * ACCEPTS WITH: 2510Z SERIES HOUSING



PART NO.	A	B
2600PSZ-02	5.08	2.54
2600PSZ-03	7.62	5.08
2600PSZ-04	10.16	7.62
2600PSZ-05	12.70	10.16
2600PSZ-06	15.24	12.70
2600PSZ-07	17.78	15.24
2600PSZ-08	20.32	17.78
2600PSZ-09	22.86	20.32
2600PSZ-10	25.40	22.86
2600PSZ-11	27.94	25.40
2600PSZ-12	30.48	27.94