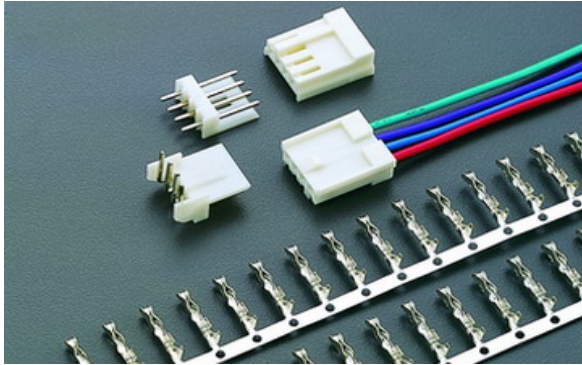


# 2542H-04 SERIES

.100" (2.54mm) PITCH WIRE TO BOARD CONNECTOR



## Specifications

Current rating: 3A AC,DC

Voltage rating: 250V AC,DC

Temperature range: -25°C to +85°C  
(including temperature rise)

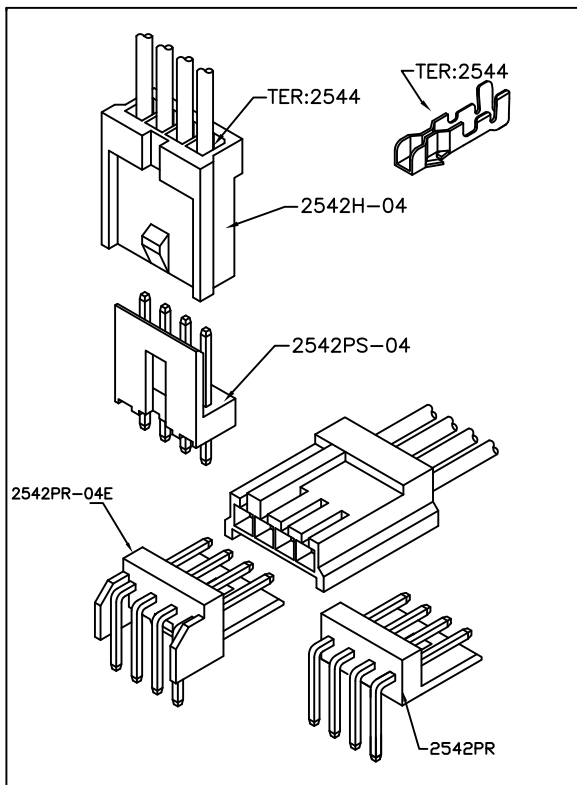
Contact resistance: Initial value/10mΩ Max.

After environmental testing/20mΩ Max.

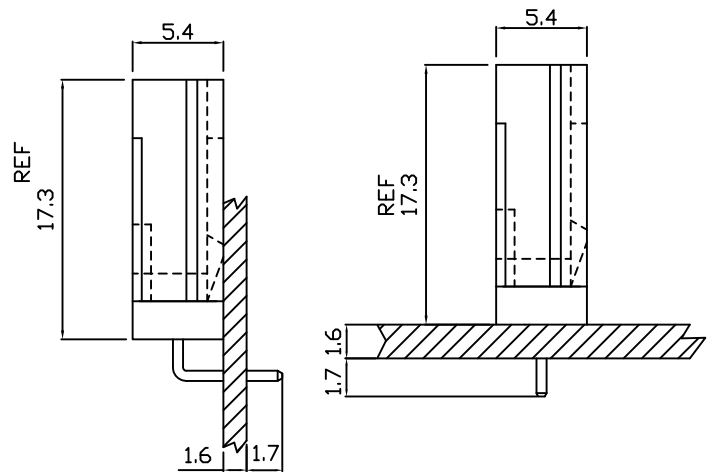
Insulation resistance: 500MΩ MIN.

Withstanding voltage: 1000V AC/minute

Applicable wire: AWG#22-28



## Assembly layout

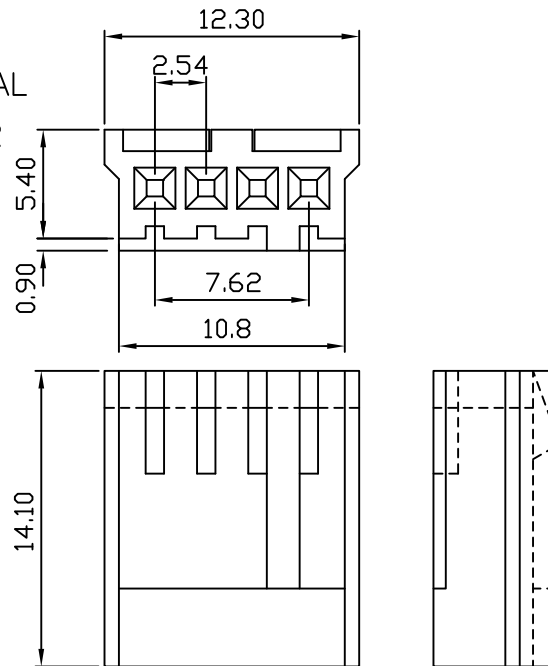


**2542H-04** .100" (2.54mm) PITCH CRIMP HOUSING

Features:

unit:mm

- \* MAT'L: NYLON 66 UL94 V-0
- \* MATES WITH: 2544 SERIES TERMINAL
- \* ACCEPTS WITH: 2542PS & 2542PR SERIES WAFER

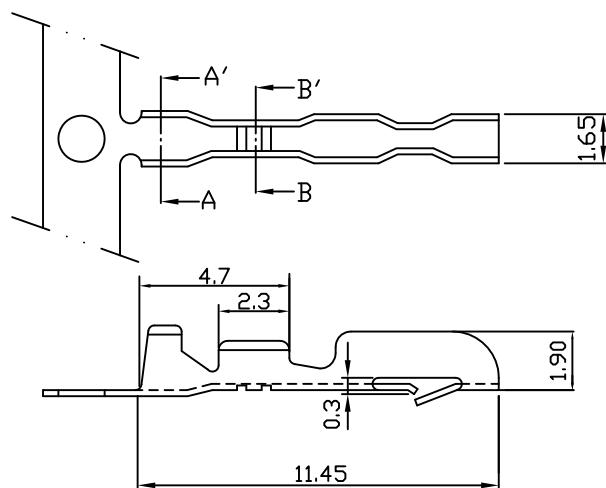
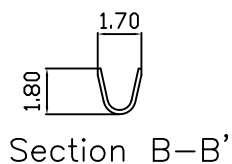
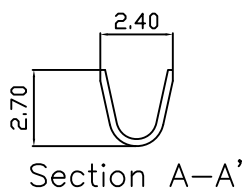


**2544** .100" (2.54mm) PITCH CRIMP TERMINAL

Features:

unit:mm

- \* THICKNESS : 0.2mm
- \* MAT'L: PHOSPHOR BRONZE & BRASS TIN PLATED
- \* MATES WITH : 2542H-04 SERIES HOUSING
- \* ACCEPTS WITH: 2542PS & 2542PR SERIES WAFER



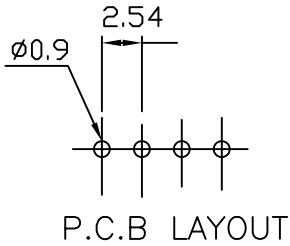
PART NO.	WIRE RANGE	INSULATION O.D.	MATERIAL	FINISH	QTY/REEL
2544	AWG #22-28	ø1.5~ø1.2	Brass	Tin-plated	10,000
2544-P	AWG #22-28	ø1.5~ø1.2	Phosphor bronze	Tin-plated	10,000

# 2542PS .100" (2.54mm) PITCH Headers—Straight

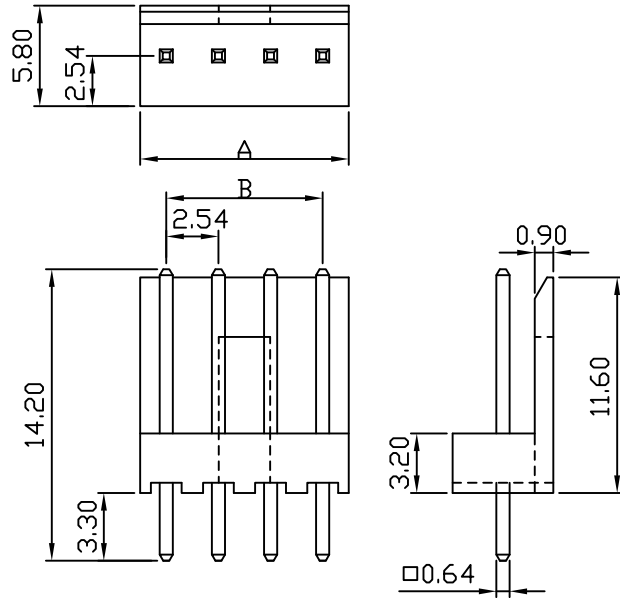
unit:mm

## Features:

- \* MAT'L: BODY: NYLON 66 UL94 V-0  
PINS: BRASS TIN PLATED
- \* MATES WITH: 2544 SERIES TERMINAL
- \* ACCEPTS WITH: 2542H-04 SERIES HOUSING



PART NO.	A	B
2542PS-03	7.62	5.08
2542PS-04	10.16	7.62

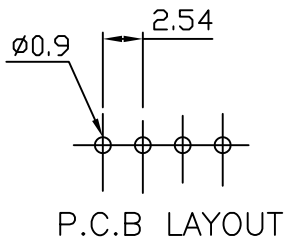


# 2542PR .100" (2.54mm) PITCH Headers—Right Angle

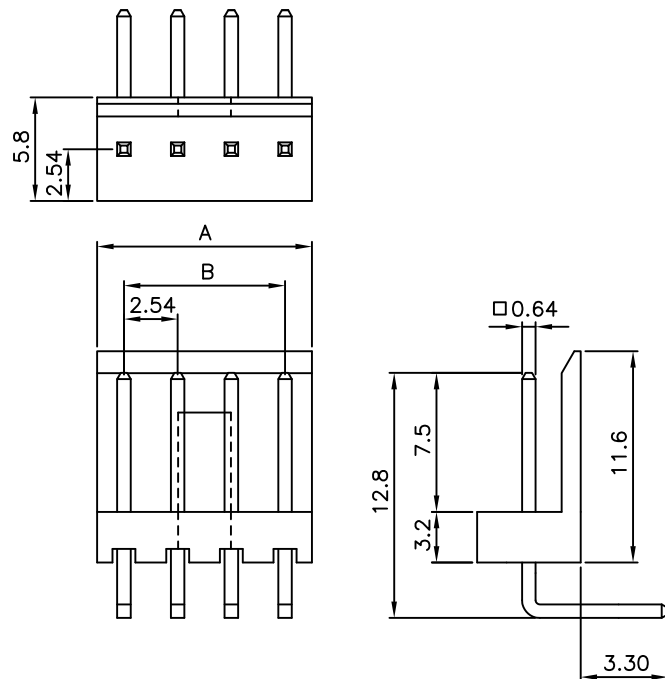
unit:mm

## Features:

- \* MAT'L: BODY: NYLON 66 UL94 V-0  
PINS: BRASS TIN PLATED
- \* MATES WITH: 2544 SERIES TERMINAL
- \* ACCEPTS WITH: 2542H-04 SERIES HOUSING



PART NO.	A	B
2542PR-03	7.62	5.08
2542PR-04	10.16	7.62

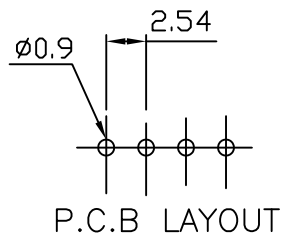


# 2542PR-E .100" (2.54mm) PITCH Headers-Right Angle

Features:

unit:mm

- \* MAT'L:BODY: NYLON 66 UL94 V-0  
PINS: BRASS TIN PLATED
- \* MATES WITH: 2544 SERIES TERMINAL
- \* ACCEPTS WITH: 2542H-04 SERIES HOUSING



PART NO.	A	B
2542PR-03E	7.62	5.08
2542PR-04E	10.16	7.62

