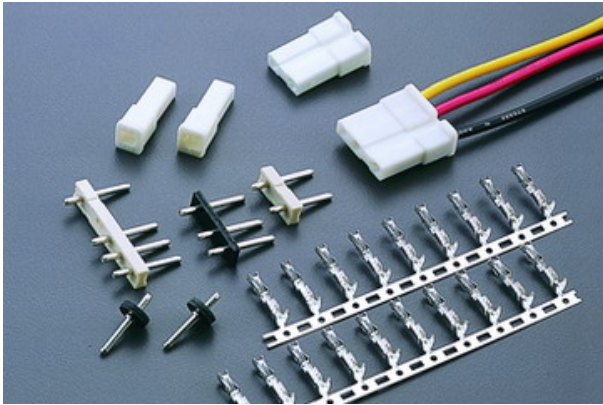


# 7550 SERIES

.295"(7.5mmX5.0mm) PITCH WIRE TO BOARD CONNECTOR



## Specifications

Current rating: 5A AC,DC

Voltage rating: 250V AC,DC

Temperature range: -25°C to +85°C  
(including temperature rise)

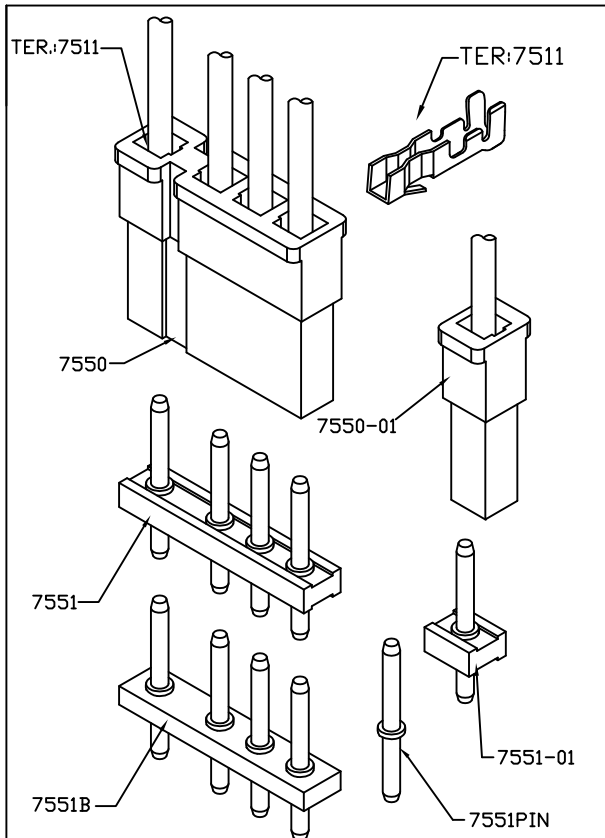
Contact resistance: Initial value/10mΩ Max.

After environmental testing/20mΩ Max.

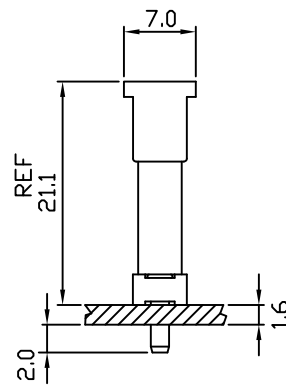
Insulation resistance: 500MΩ MIN.

Withstanding voltage: 1000V AC/minute

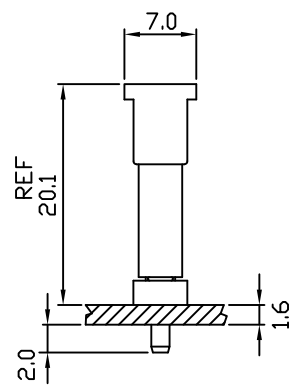
Applicable wire: AWG#18-22



## Assembly layout



7550 & 7551



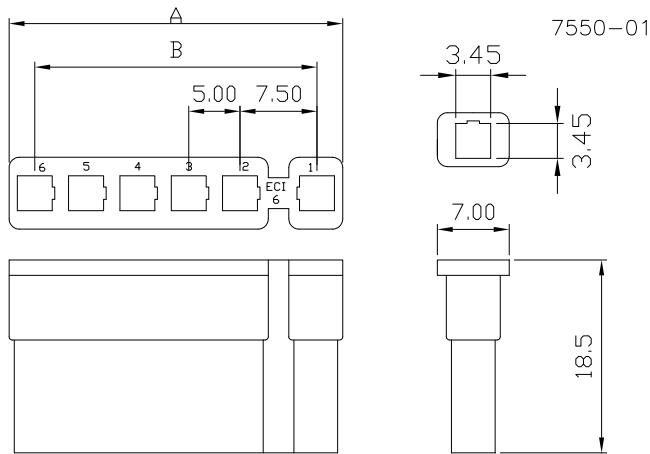
7550 & 7551B

# 7550 .295"(7.5mmX5.0mm) PITCH CRIMP HOUSING

Features:

unit:mm

- \* MAT'L: NYLON 66 UL94V-0
- \* MATES WITH: 7511 SERIES TERMINAL
- \* ACCEPTS WITH: 7551 SERIES WAFER
- \* ACCEPTS WITH: 1.55(.061") ROUND PIN



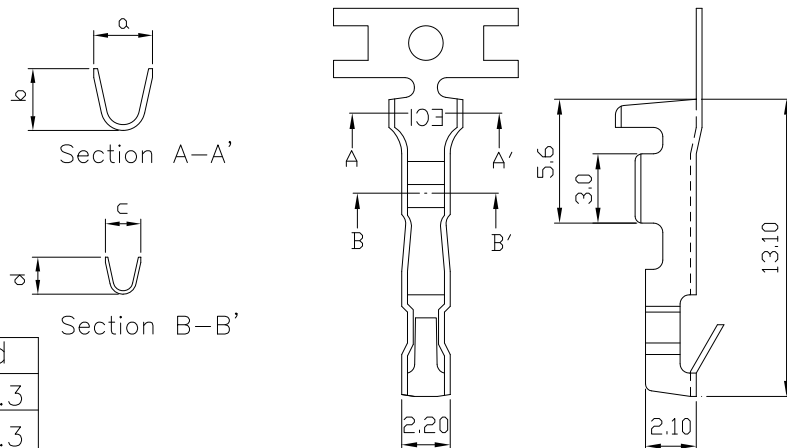
PART NO.	A	B
7550-01	6.5	
7550-02	12.5	7.5
7550-03	17.5	12.5
7550-04	22.5	17.5
7550-05	27.5	22.5
7550-06	32.5	27.5

# 7511 7513 .295"(7.5mmX5.0mm) PITCH CRIMP TERMINAL

Features:

unit:mm

- \* THICKNESS: 0.25mm
- \* MAT'L: BRASS OR PHOSPHOR BRONZE TIN PLATED
- \* MATES WITH: 7550 SERIES HOUSING
- \* ACCEPTS WITH: 7551 SERIES WAFER



PART NO.	a	b	c	d
7511	3.0	3.60	2.2	2.3
7513	4.0	4.2	2.3	2.3

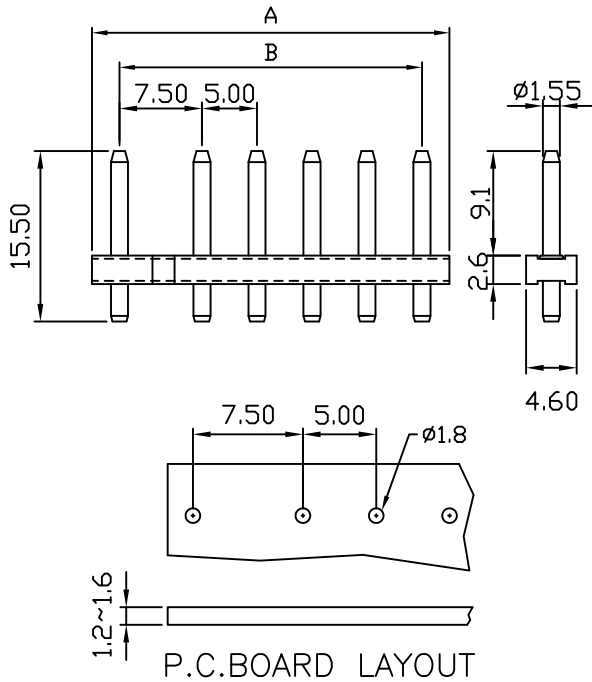
PART NO.	WIRE RANGE	INSULATION O.D.	MATERIAL	FINISH	QTY/REEL
7511	AWG #18-#22	ø2.45mm max	BRASS	Tin-plated	8,000
7511-P	AWG #18-#22	ø2.45mm max	PHOSPHOR BRONZE	Tin-plated	8,000
7513	AWG #12-#16	ø2.8mm max	PHOSPHOR BRONZE	Tin-plated	8,000

# 7551 7551B .295"(7.5mmX5.0mm) PITCH Headers—Straight

## 7551

Features:

- \* MAT'L: BODY: NYLON 66 UL94V-0  
PINS: BRASS TIN PLATED
- \* MATES WITH: 7550 SERIES HOUSING
- \* ACCEPTS WITH: 7511 SERIES TERMINAL

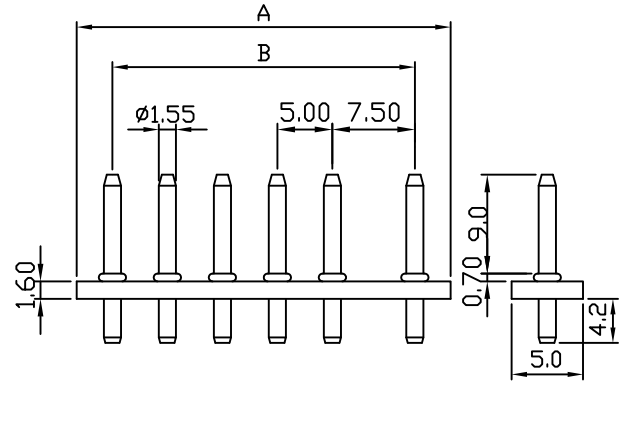


## 7551B

unit:mm

Features:

- \* MAT'L: BODY: BAKELITE  
PINS: BRASS TIN PLATED
- \* MATES WITH: 7550 SERIES HOUSING
- \* ACCEPTS WITH: 7511 SERIES TERMINAL



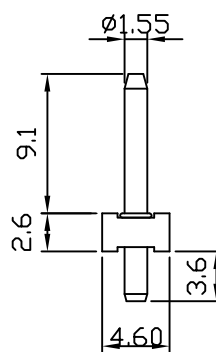
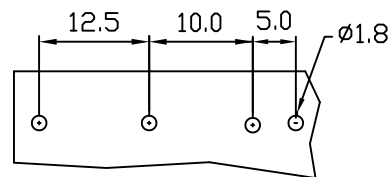
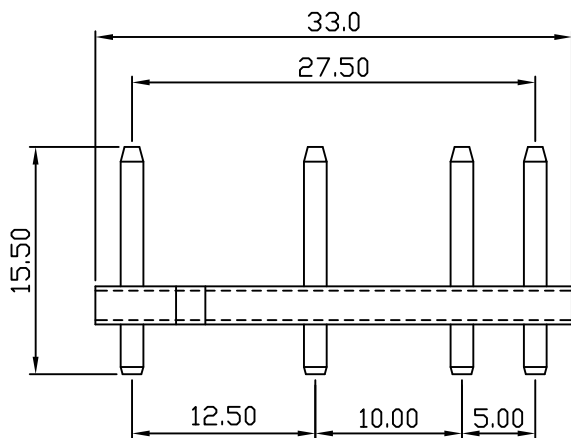
PART NO.	A	B
7551-01	5.5	
7551-02	13	7.5
7551-03	18	12.5
7551-04	23	17.5
7551-05	28	22.5
7551-06	33	27.5

# 7551-06N2,4 Headers—Straight

unit:mm

Features:

- \* MAT'L: BODY: NYLON 66 UL94V-0  
PINS: BRASS TIN PLATED



7551-PIN

