

E023H/E123H E023H-K/E123H-K SERIES

— .198”(5.03mm)/.264”(6.7mm) PITCH WIRE TO WIRE CONNECTOR —



Specifications

Current rating: 4.5A AC,DC

Voltage rating: 250V AC,DC

Temperature range: -25°C to +85°C

(including temperature rise)

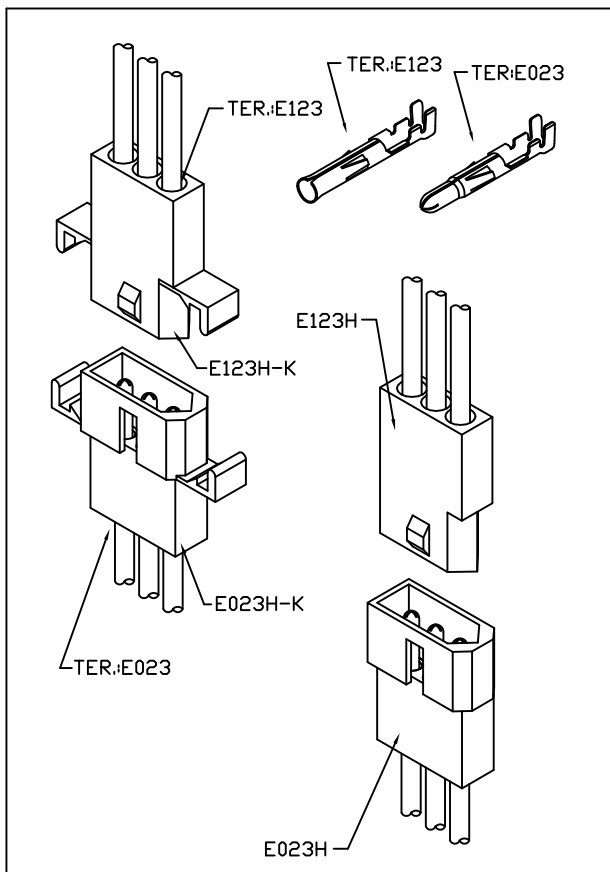
Contact resistance: Initial value/10 mΩ Max.

After environmental testing/20mΩ Max.

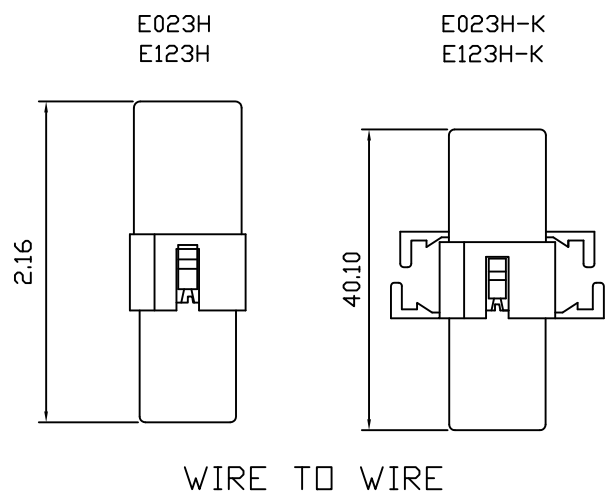
Insulation resistance: 500MΩ MIN.

Withstanding voltage: 1500V AC/minute

Applicable wire: AWG#18-22



Assembly layout



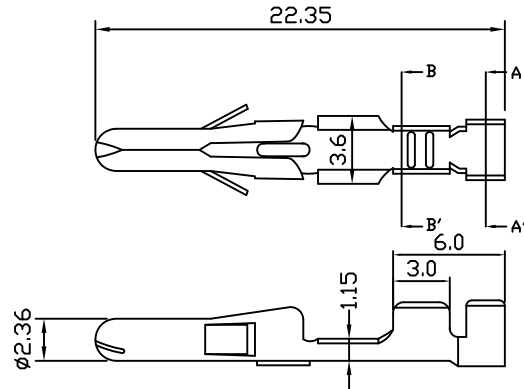
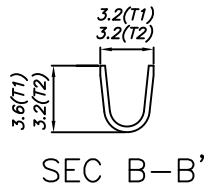
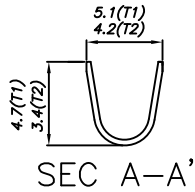
E023 CRIMP TERMINAL

E023

unit:mm

Features:

- * THICKNESS: 0.25mm
- * MAT'L: BRASS TIN PLATED
- * MATES WITH: E023 SERIS TERMINAL
- * MATES WITH: E123H SERIES HOUSING



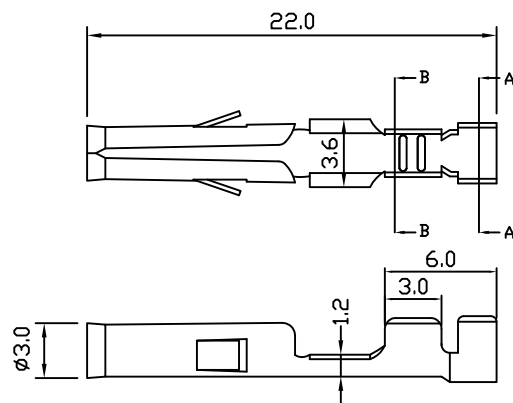
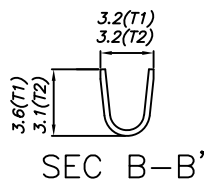
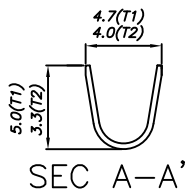
PART NO.	WIRE RANGE	INSULATION O.D.	MATERIAL	FINISH	QTY/REEL
E023T1	AWG#14-#20	$\phi 3.6$ mm MAX	BRASS	Tin-plated	3500
E023T2	AWG#18-#22	$\phi 2.8$ mm MAX	BRASS	Tin-plated	5000

E123 CRIMP TERMINAL

E123

Features:

- * THICKNESS: 0.25mm
- * MAT'L: BRASS TIN PLATED
- * MATES WITH: E023 SERIES TERMINAL
- * MATES WITH: E123H SERIS HOUSING



PART NO.	WIRE RANGE	INSULATION O.D.	MATERIAL	FINISH	QTY/REEL
E123T1	AWG#14-#20	$\phi 3.6$ mm MAX	BRASS	Tin-plated	3500
E123T2	AWG#18-#22	$\phi 2.8$ mm MAX	BRASS	Tin-plated	5000

E123H/E123H-K

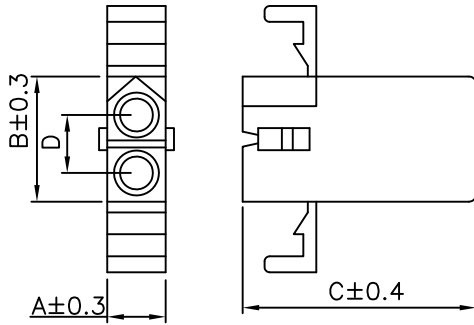
Features:

unit:mm

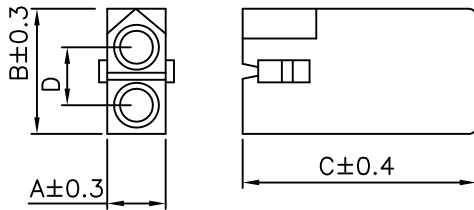
* MAT'L: NYLON 66 UL94-V2

* MTES WITH: E023 & E123 SERIES TERMINAL

E123H-K

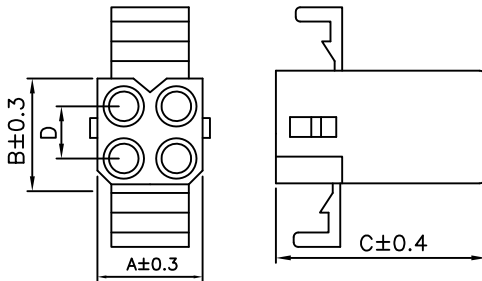


E123H

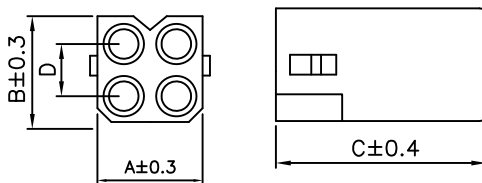


PART NO.	A	B	C	D
E123H-1X1 E123H-1X1K	∅5.9	/	26.6	6.3
E123H-1X2 E123H-1X2K	6.4	13.7	25.4	5.03
E123H-1X3 E123H-1X3K	6.4	13.7	25.8	5.03
E123H-1X4 E123H-1X4K	6.0	22.05	25.8	5.03
E123H-1X5 E123H-1X5K	6.1	27.1	25.7	5.03

E123H-K



E123H



PART NO.	A	B	C	D
E123H-2X2 E123H-2X2K	11.02	11.02	25.7	5.03
E123H-3X2 E123H-3X2K	16.05	11.2	25.7	5.03
E123H-3X3 E123H-3X3K	16.05	17.2	25.8	5.03
E123H-3X4 E123H-3X4K	16.05	22.1	25.8	5.03
E123H-3X5 E123H-3X5K	16.05	27.1	25.8	5.03

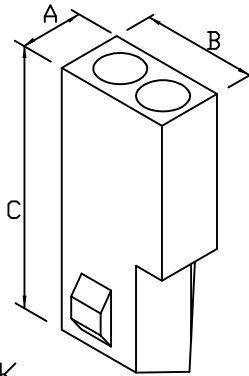
E123H .264" (6.3mm)
E123H-K .198" (5.03mm) PITCH CRIMP HOUSING

Features:

- * MAT'L: NYLON 66 UL94-V2
- * MATES WITH: E123 SERIES TERMINAL
- * MATES WITH: E023H & E023H-K SERIES HOUSING

unit:mm

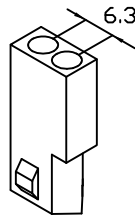
E123H



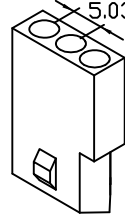
E123H-01



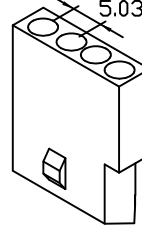
E123H-02



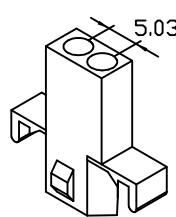
E123H-03



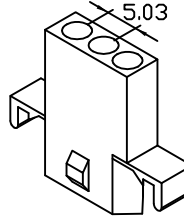
E123H-04



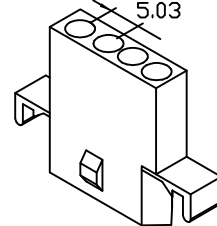
E123H-02K (90°)



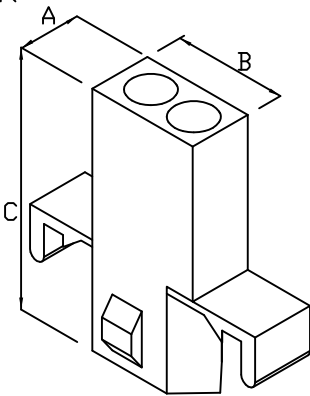
E023H-03K (90°)



E023H-04K (90°)



E123-K



PRAT NO	A	B	C
E123H-01	∅9.1		24.6
E123H-02 (1X2) E123H-02K	9.0	16.4	24.6
E123H-03 (1X3) E123H-03K	8.6	19.6	24.6
E123H-04 (1X4) E123H-04K	8.6	24.7	24.5

E023H .264" (6.3mm)
E023H-K .198" (5.03mm) PITCH CRIMP HOUSING

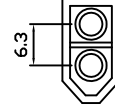
Features:

- * MAT'L: NYLON 66 UL94-V2
- * MATES WITH: E023 SERIES TERMINAL
- * MATES WITH: E123H & E123H-K SERIES HOUSING

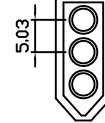
E023H-01



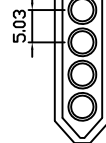
E023H-02



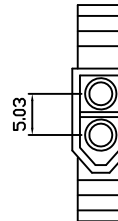
E023H-03



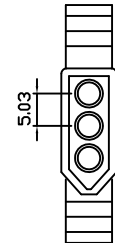
E023H-04



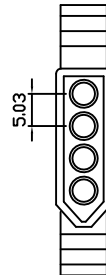
E023H-2K (90°)



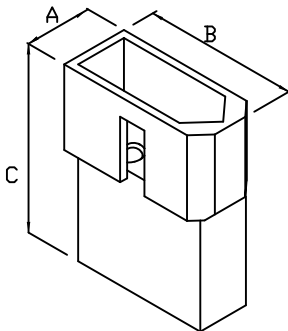
E023H-3K (90°)



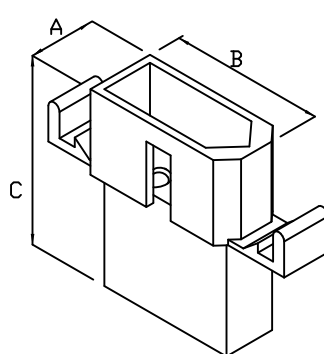
E023H-4K (90°)



E023H



E023H-K



PRAT NO	A	B	C
E023H-01	∅9.1		24.6
E023H-02 (1X2) E023H-02K	9.0	16.4	24.6
E023H-03 (1X3) E023H-03K	8.6	19.6	24.6
E023H-04 (1X4) E023H-04K	8.6	24.7	24.5

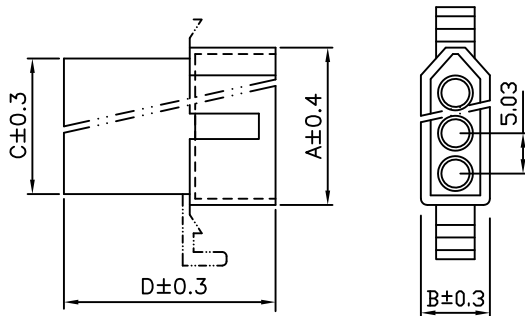
E023H/E023H-K

Features:

unit:mm

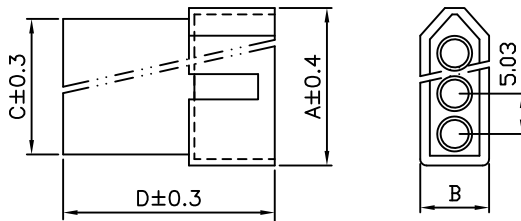
- * MAT'L: NYLON 66 UL 94-V2
- * CURRENT: 4.5A AC DC
- * VOLTAGE RATING: 250V AC DC
- * MATES WITH: E023 & E123 SERIS TERMINAL
- * CSA FILEN NO: LR84767

E023H-K

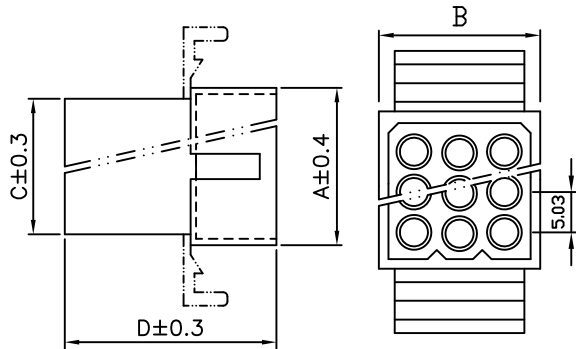


PART NO.	A	B	C	D
E023H-01	$\phi 9.1$		$\phi 6.1$	24.5
E023H-1X2 E023H-1X2K	16.4	8.9	13.6	24.6
E023H-1X3 E023H-1X3K	19.7	8.6	16.9	24.6
E023H-1X4 E023H-1X4K	24.66	8.6	21.9	24.6
E023H-1X5 E023H-1X5K	30.1	27.1	27.1	24.5

E023H



E023H-K



PART NO.	A	B	C	D
E023H-2X2 E023H-2X2K	13.7	13.7	11.4	24.5
E023H-3X2 E023H-3X2K	18.7	13.7		24.5
E023H-3X3 E023H-3X3K	18.6	17.2		24.6
E023H-3X4 E023H-3X4K	18.7	24.1		24.6
E023H-3X5 E023H-3X5K	18.7	29.7		24.6

E023H

