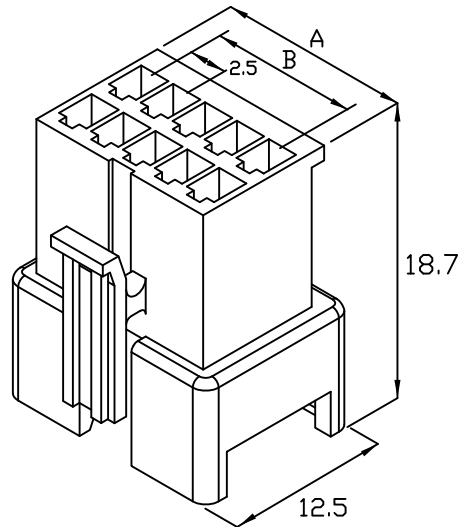
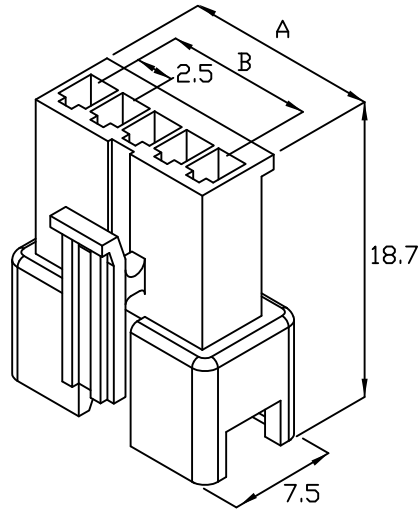


2601CH .098" (2.5mm) PITCH CRIMP HOUSING

Features:

unit:mm

- * MAT'L: NYLON 66 UL 94V-2
- * MATES WITH: 2601 SERIES TERMINAL
- * ACCEPTS WITH: 2501CH SERIES HOUSING



PART/NO.	A	B
2601CH-02	8.0	2.5
2601CH-03	10.5	5.0
2601CH-04	13.0	7.5
2601CH-05	15.5	10.0
2601CH-06	18.0	12.5
2601CH-07	20.5	15.0
2601CH-08	23.0	17.5
2601CH-09	25.5	20.0
2601CH-10	28.0	22.5

PART/NO.	A	B
2601CH-04(2X2)	8.0	2.5
2601CH-06(2X3)	10.5	5.0
2601CH-08(2X4)	13.0	7.5
2601CH-10(2X5)	15.5	10.0
2601CH-12(2X6)	18.0	12.5
2601CH-14(2X7)	20.5	15.0
2601CH-16(2X8)	23.0	17.5
2601CH-18(2X9)	25.5	20.0
2601CH-20(2X10)	28.0	22.5