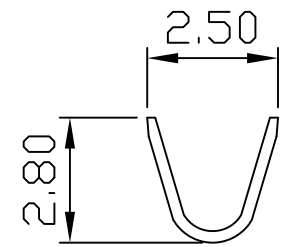


# 2601 .098" (2.5mm) PITCH CRIMP TERMINAL

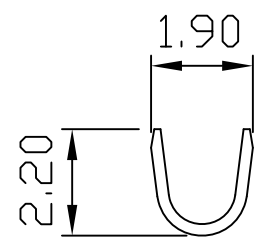
unit:mm

Features:

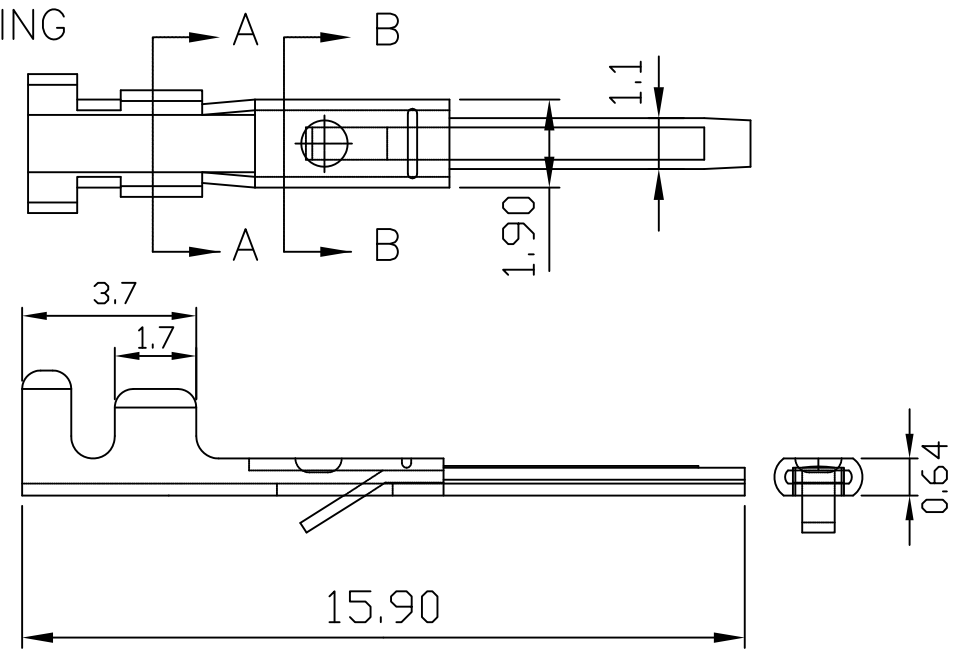
- \* THICKNESS: 0.25mm
- \* MAT'L: BRASS TIN PLATED
- \* MATES WITH: 2601CH SERIES HOUSING



Section A-A'



Section B-B'



PART NO.	WIRE RANGE	INSULATION O.D.	MATERIAL	FINISH	QTY/REEL
2601	AWG#22-#26	ø1.7 mm MAX	BRASS	Tin-plated	7,000