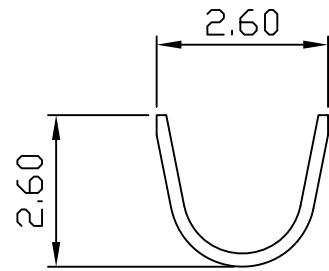


2570 .098" (2.50mm) PITCH CRIMP TERMINAL

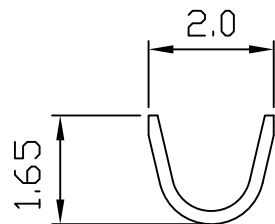
Features:

unit:mm

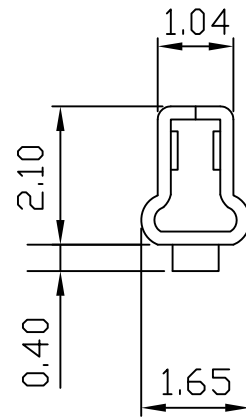
- * THICKNESS: 0.2mm
- * MAT'L: PHOSPHOR BRONZE TIN PLANED
- * MATES WITH: 2570H SERIES HOUSING
- * ACCEPTS WITH: 2570PS & 2570PR SERIES WAFER
- * ACCEPTS WITH: 0.64mm(.025") SQUARE PIN



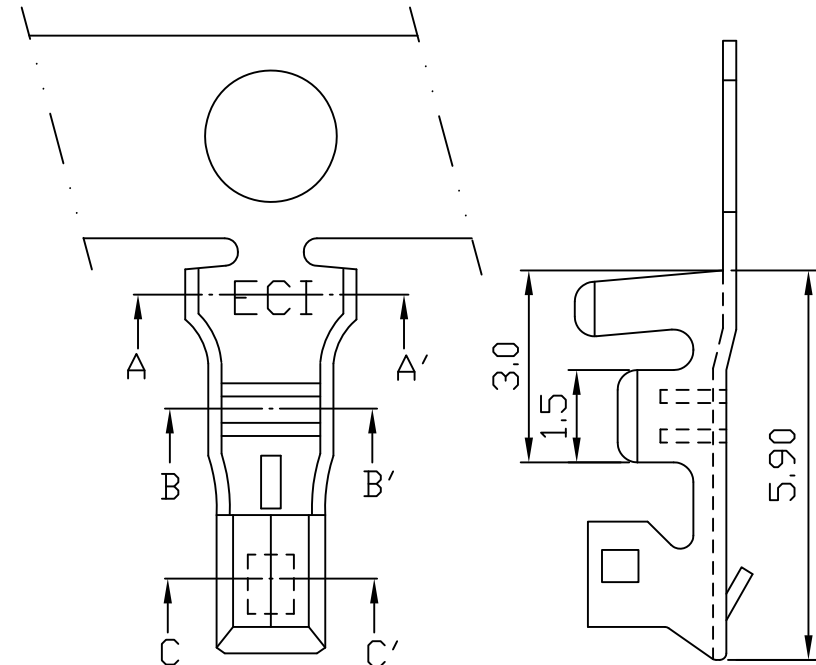
Section A-A'



Section B-B'



Section C-C'



PART NO.	WIRE RANGE	INSULATION O.D.	MATERIAL	FINISH	QTY/REEL
2570	AWG #24-28	ø1.8mm MAX	Phosphor bronze	Tin-plated	10,000