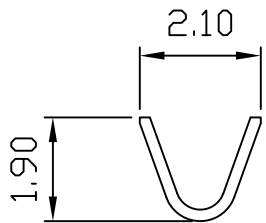


# 2551 .100" (2.54mm) PITCH CRIMP TERMINAL

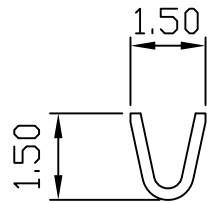
Features:

unit:mm

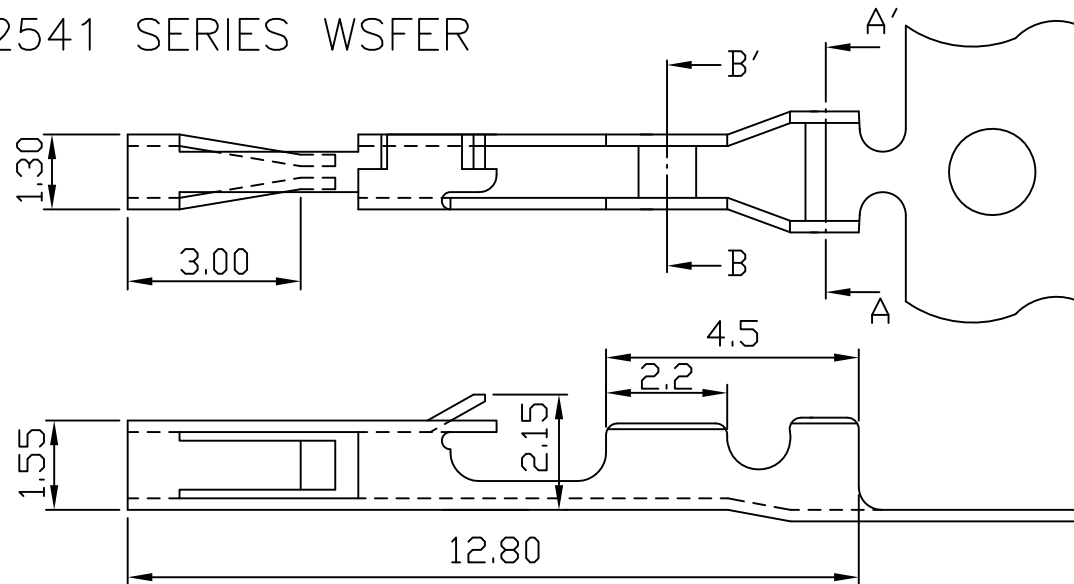
- \* THICKNESS: 0.2mm
- \* MAT'L: PHOSPHOR BRONZE TIN OR GOLD PLATED
- \* MATES WITH: 2550 SERIES HOUSING
- \* ACCEPTS WITH: 2540 & 2541 SERIES WSFER



Section A-A'



Section B-B'



PART NO.	WIRE RANGE	INSULATION O.D.	MATERIAL	FINISH	QTY/REEL
2551-P	AWG#24-#28	ø1.7mm MAX	PHOSPHOR BRONZE	TIN OR GOLD PLATED	10,000