

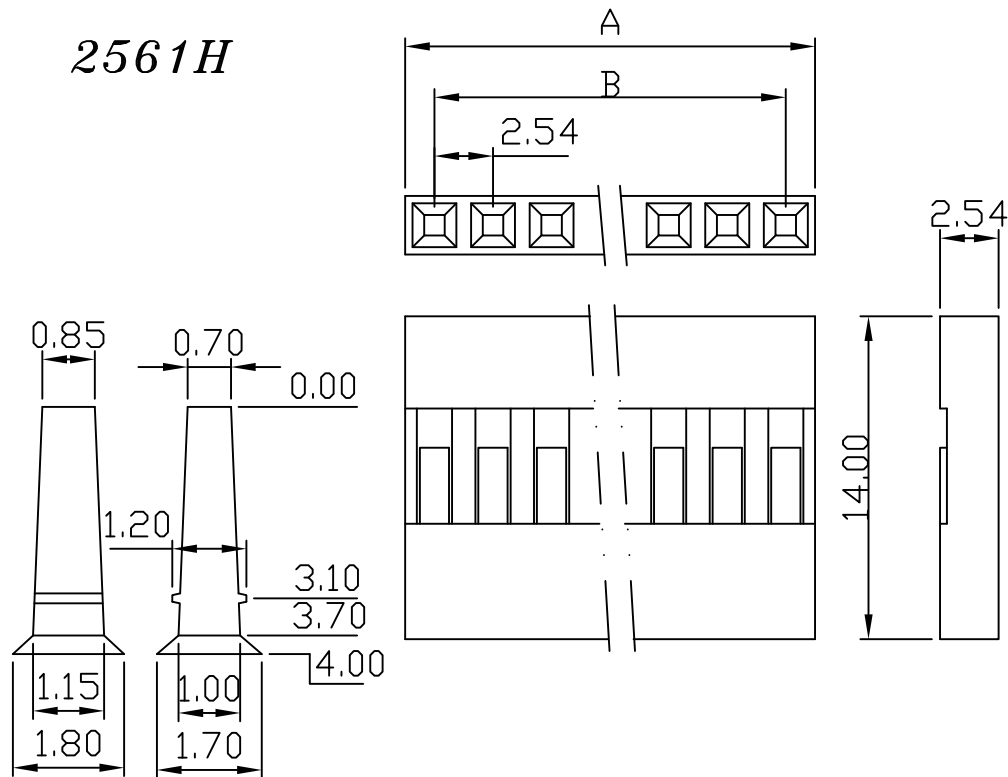
# 2561H .100" (2.54mm) PITCH CRIMP HOUSING

unit:mm

Features:

- \* MAT'L: NYLON 66 UL 94V-0
- \* MATES WITH: 2563 2564 SERIES TERMINAL
- \* ACCEPTS WITH: 2540 & 2541 SERIES WAFER

**2561H**



PART NO.	A	B	PART NO.	A	B
2561H-01	2.54	0.00	2561H-21	53.34	50.80
2561H-02	5.08	2.54	2561H-22	55.88	53.34
2561H-03	7.62	5.08	2561H-23	58.42	55.88
2561H-04	10.16	7.62	2561H-24	60.96	58.42
2561H-05	12.70	10.16	2561H-25	63.05	60.96
2561H-06	15.24	12.70	2561H-26	66.04	63.05
2561H-07	17.78	15.24	2561H-27	68.58	66.04
2561H-08	20.32	17.78	2561H-28	71.12	68.58
2561H-09	22.86	20.32	2561H-29	73.66	71.12
2561H-10	25.40	22.86	2561H-30	76.20	73.66
2561H-11	27.94	25.40	2561H-31	78.74	76.20
2561H-12	30.48	27.94	2561H-32	81.28	78.74
2561H-13	33.02	30.48	2561H-33	83.82	81.28
2561H-14	35.56	33.02	2561H-34	86.36	83.82
2561H-15	38.10	35.56	2561H-35	88.90	86.36
2561H-16	40.64	38.10	2561H-36	91.44	88.90
2561H-17	43.18	40.64	2561H-37	93.98	91.44
2561H-18	45.72	43.18	2561H-38	96.52	93.98
2561H-19	48.26	45.72	2561H-39	99.06	96.52
2561H-20	50.80	48.26	2561H-40	101.6	99.06