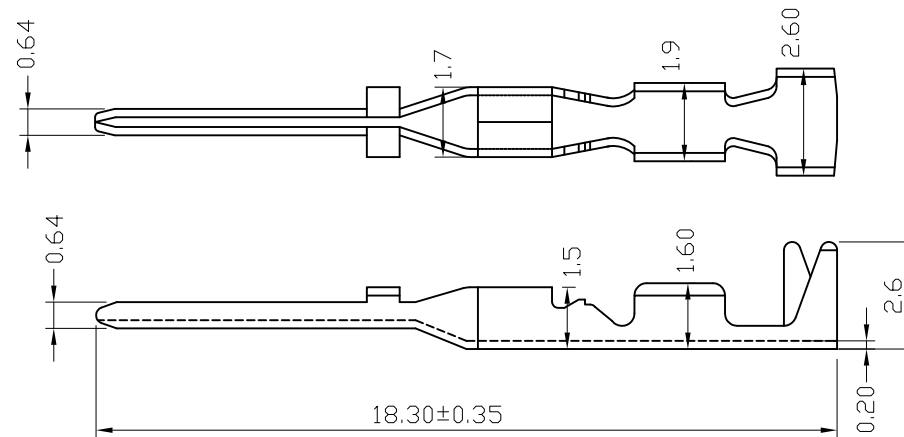


2663 .100" (2.54mm) PITCH TERMINAL

Features:

unit:mm

- * THICKNESS: 0.2mm
- * MAT'L: BRASS OR PHOSPHOR BRONZE TIN PLATED
- * ACCEPTS WITH: 2561H & 2562H & 2561H-04K SERIES HOUSING



PART NO.	WIRE RANGE	INSULATION O.D.	MATERIAL	FINISH	QTY/REEL
2663	AWG#22-#28	∅1.5~∅1.2mm	Brass	Tin-plated	10,000
2663-P	AWG#22-#28	∅1.5~∅1.2mm	Phosphor Bronze	Tin-plated	10,000