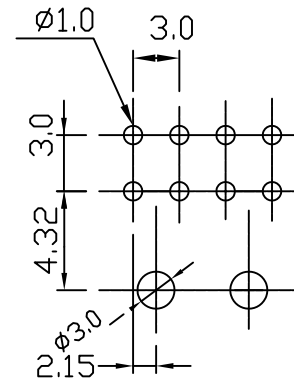
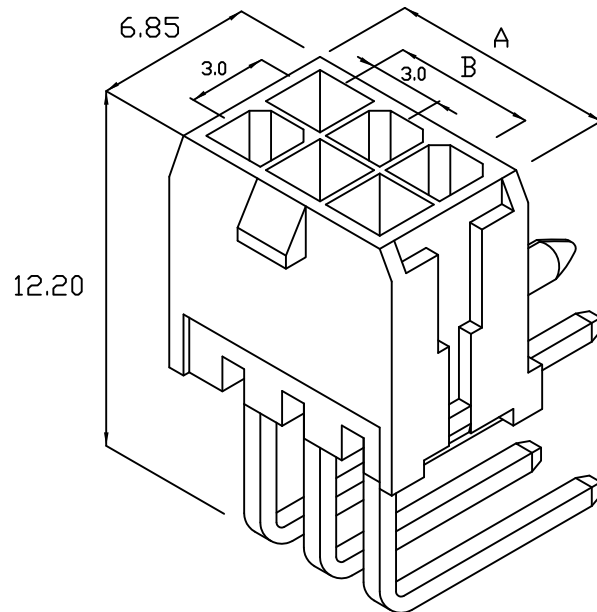


# 3015PR .118" (3.0mm) PITCH Headers—Right Angle

Features:

- \* MAT'L: NYLON 66 UL94V-0
- \* MATES WITH: 3016 SERIES TERMINAL
- \* ACCEPTS WITH: 3016H SERIES HOUSING

unit:mm



PART NO.	A	B
3015PR-02 (2X1)	6.65	
3015PR-04 (2X2)	9.65	3.0
3015PR-06 (2X3)	12.65	6.0
3015PR-08 (2X4)	15.65	9.0
3015PR-10 (2X5)	18.65	12.0
3015PR-12 (2X6)	21.65	15.0
3015PR-14 (2X7)	24.65	18.0
3015PR-16 (2X8)	27.65	21.0
3015PR-18 (2X.9)	30.65	24.0
3015PR-20 (2X10)	33.65	27.0
3015PR-22 (2X11)	36.65	30.0
3015PR-24 (2X12)	39.65	33.0