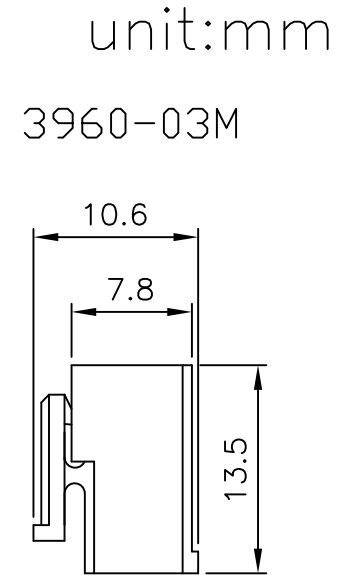
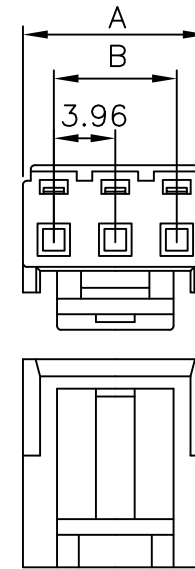
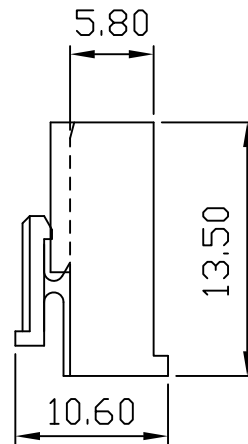
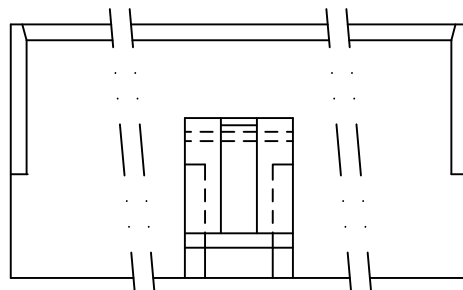
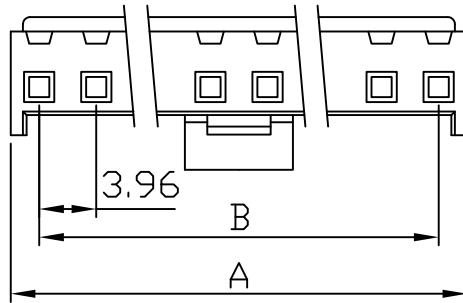


# 3960 .156" (3.96mm) PITCH CRIMP HOUSING

## Features:

- \* MAT'L: NYLON 66 UL94V-0
- \* MATES WITH: 3911 3914 SERIES TERMINAL
- \* ACCEPTS WITH: 3961 3962 SERIES WAFER
- \* ACCEPTS WITH 1.14mm(.045") SQUARE PINS



PART NO.	PART NO.	B	A
3960-02	3960-02M	7.86	3.96
3960-03	3960-03M	11.82	7.92
3960-04	3960-04M	15.78	11.88
3960-05	3960-05M	19.74	15.84
3960-06	3960-06M	23.70	19.80
3960-07	3960-07M	27.66	23.76
3960-08	3960-08M	31.62	27.72
3960-09	3960-09M	35.58	31.68
3960-10	3960-10M	39.54	35.64
3960-11	3960-11M	43.50	39.60
3960-12	3960-12M	47.46	43.56