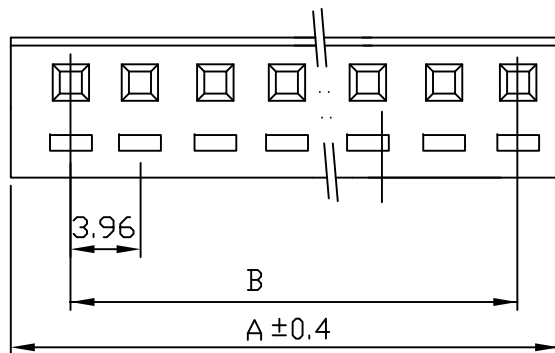


8396H SERIES .156" (3.96mm) PITCH HOUSING

Features:

- * MAT'L: NYLON 66 UL94V-2 OR V-0
- * MATES WITH: 8396T SERIES TERMINAL
- * ACCEPTS WITH: 8673 7674 SERIES WAFER



PART NO.	A	B
8396H-02	9.06	3.96
8396H-03	13.02	7.92
8396H-04	16.98	11.88
8396H-05	20.94	15.84
8396H-06	24.90	19.80
8396H-07	28.86	23.76
8396H-08	32.82	27.72
8396H-09	36.78	31.68
8396H-10	40.74	35.64
8396H-11	44.70	39.60
8396H-12	48.66	43.56
8396H-13	52.62	47.52
8396H-14	56.58	51.50
8396H-15	60.54	55.46

PART NO.	A	B
8396H-16	64.50	59.42
8396H-17	68.46	63.38
8396H-18	72.42	67.34
8396H-19	76.46	71.30
8396H-20	80.34	75.26
8396H-21	84.30	79.22
8396H-22	88.26	83.18
8396H-23	92.22	87.14
8396H-24	96.18	91.10
8396H-25	100.14	95.06

