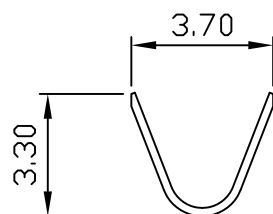
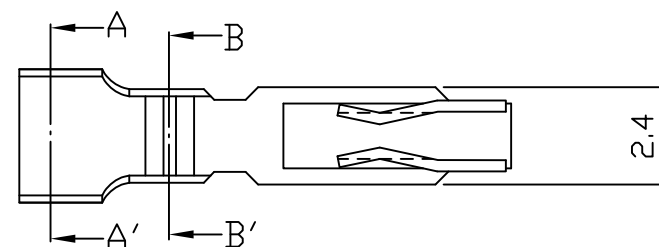


85783 .156" (3.96mm) PITCH CRIMP TERMINAL

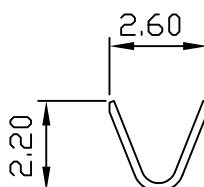
unit:mm

Features:

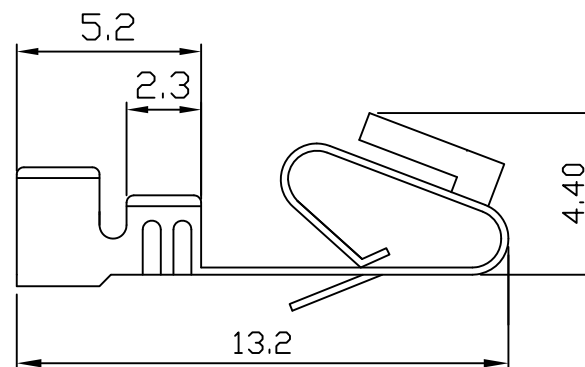
- * THICKNESS: 0.25mm & 0.30mm
- * MAT'L: BRASS & PHOSPHOR BRONZE TIN PLATED
- * ACCEPTS WITH: 8639 8669 SERIES HOUSING
- * ACCEPTS WITH: 8673 8674 SERIES WAFER
- * ACCEPTS WITH: 1.14mm (.045") SQUARE PIN



Section A-A'



Section B-B'



PART NO.	WIRE RANGE	INSULATION O.D.	MATERIAL	FINISH	QTY/REEL
85783	AWG#18-#22	ø2.8mm max	Brass	Tin-plated	6,000
85783-P	AWG#18-#22	ø2.8mm max	Phosphor bronze	Tin-plated	6,000