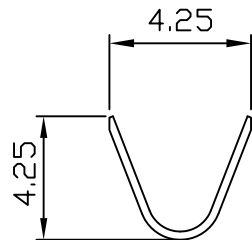


# 8629 .156" (3.96mm) PITCH CRIMP TERMINAL

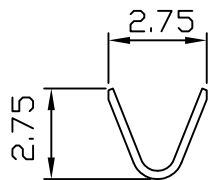
Features:

unit:mm

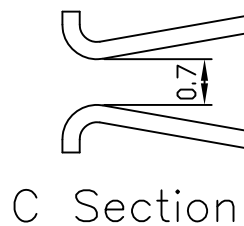
- \* THICKNESS: 0.25mm
- \* MAT'L: BRASS TIN PLATED
- \* MATES WITH: 8629H SERIES HOUSING
- \* ACCEPTS WITH: 8673 8674 SERIES WAFER



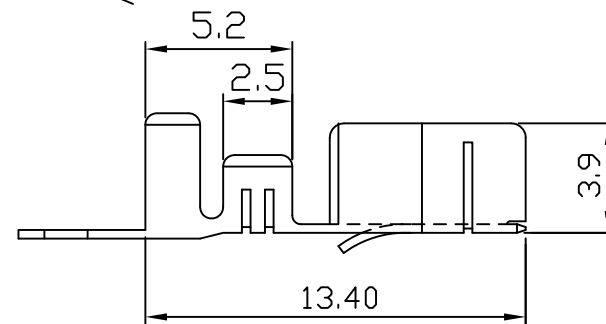
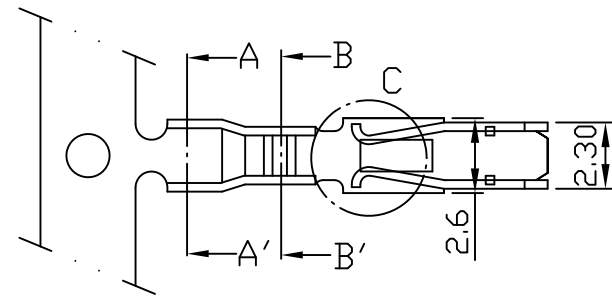
Section A-A'



Section B-B'



C Section



PART NO.	WIRE RANGE	INSULATION O.D.	MATERIAL	FINISH	QTY/REEL
8629	AWG#16-#22	ø3.0~ø1.8mm	BRASS	Tin-plated	5,000