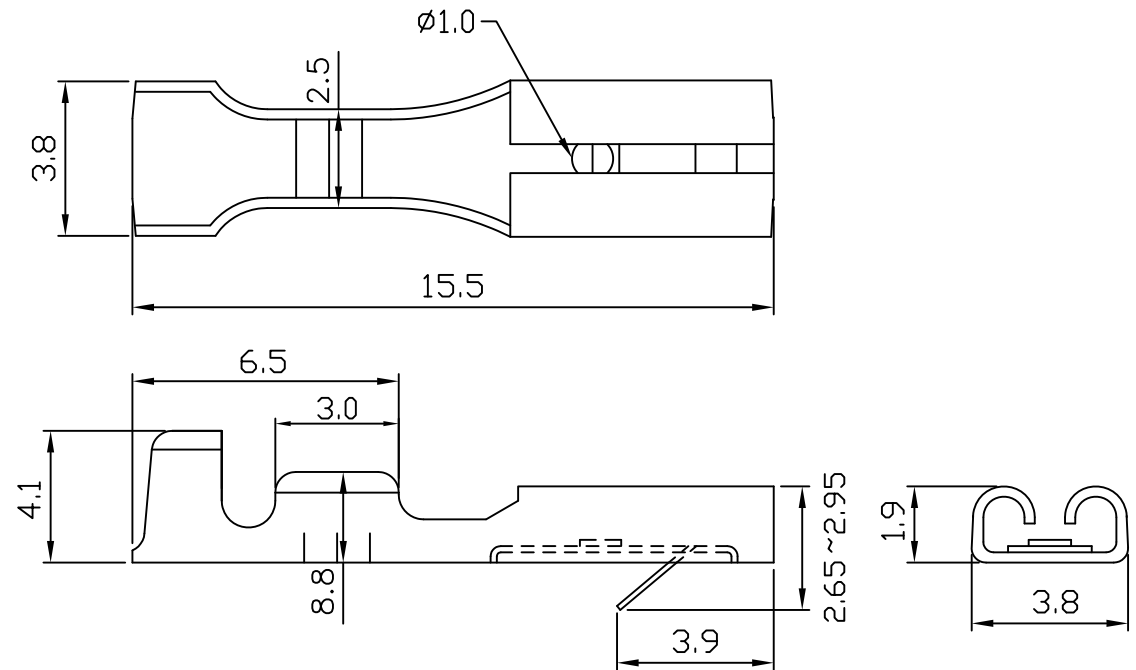


E731 FASTON TERMINAL

unit:mm

Features:

- * THICKNESS: 0.25mm
- * MATERIAL: BRASS TIN PLATED
- * ACCEPTS: 110" TAB PLUG



| PART NO. | WIRE RANGE | INSULATION O.D. | MATERIAL | FINISH | QTY/REEL |
|----------|------------|------------------------------------|----------|------------|----------|
| E731 | AWG#18-#22 | $\phi 1.9 \sim \phi 2.5 \text{mm}$ | BRASS | TIN PLATED | 10,000 |
| E731S-0 | AWG#18-#22 | $\phi 1.9 \sim \phi 2.5 \text{mm}$ | BRASS | TIN PLATED | 5,000 |