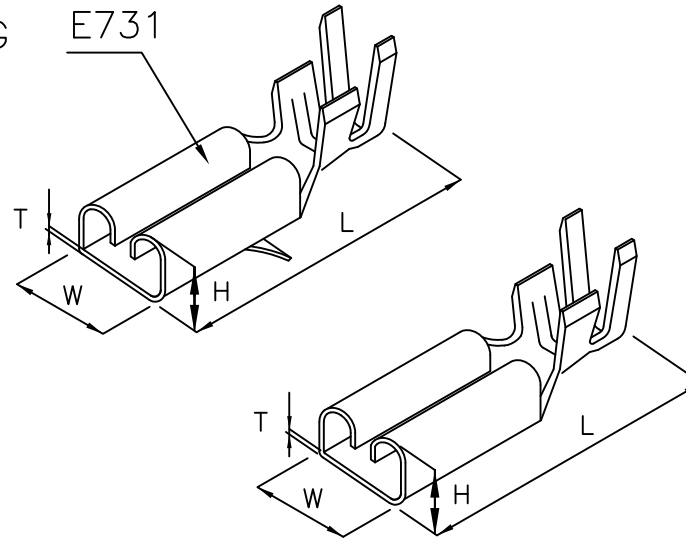


FASTON 110 SERIES TERMINAL

110 TERMINAL(Female)

Features:

- * MAT'L: BRASS TIN PLATED
- * MATES WITH: 110(Male) SERIES TERMINAL
- * MATES WITH: 110 SERIES HOUSING



PART/NO.	THICKNESS	W	L	H	WIRE RANGE	MAT'L	TAB (TXB)
E731	0.25	3.8	15.5	1.85	AWG#16-20	BRASS TIN PLATED	0.5X2.8
E732	0.25	3.8	15.5	1.85			0.5X2.8
E733	0.25	3.8	15.5	2.0			0.8X2.8
E735	0.25	3.8	15.5	1.85	AWG#18-22	BRASS TIN PLATED	0.5X2.8
E7351	0.25	3.8	15.5	2.0			0.8X2.8
110	0.25	3.8	15.5	1.90			0.5X2.8