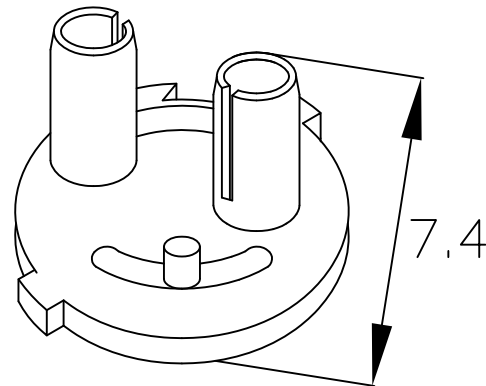


FUSE HOLDERS E841-2PL E841-2PA

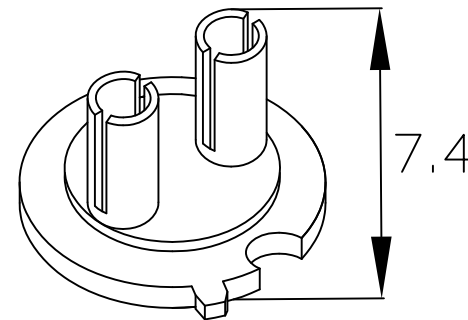
unit:mm

FEATURES:

- * MATERIAL: NYLON
- * RATING VOLTAGE : AC/250, DC/350V
- * RATING CURRENT: 5A
- * TEMPERATURE RANGE: -25° TO $+85^{\circ}\text{C}$



E841-2PL



E841-2PA