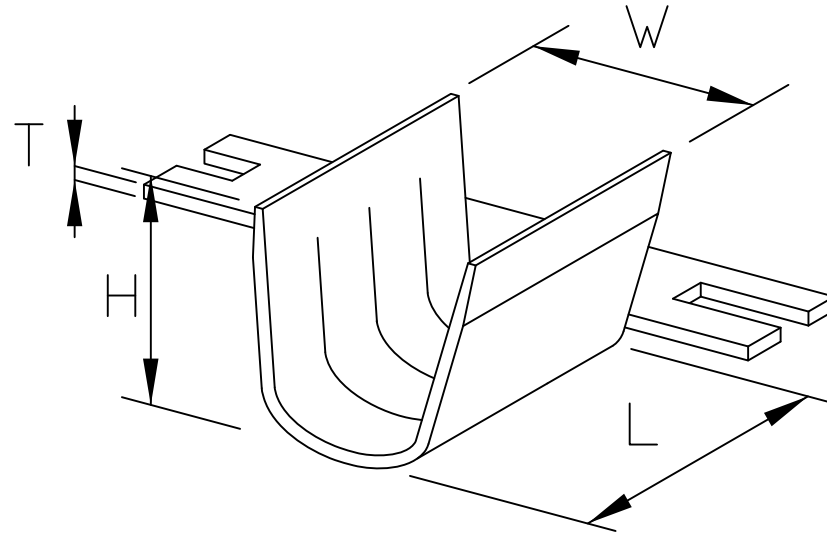


SPLICE TERMINAL SERIES

unit:mm



PART/NO.	MATERIAL	L	T	W	H
2133	BRASS	3.3	0.3	4.5	3.6
2143	BRASS	5.0	0.5	4.4	3.9