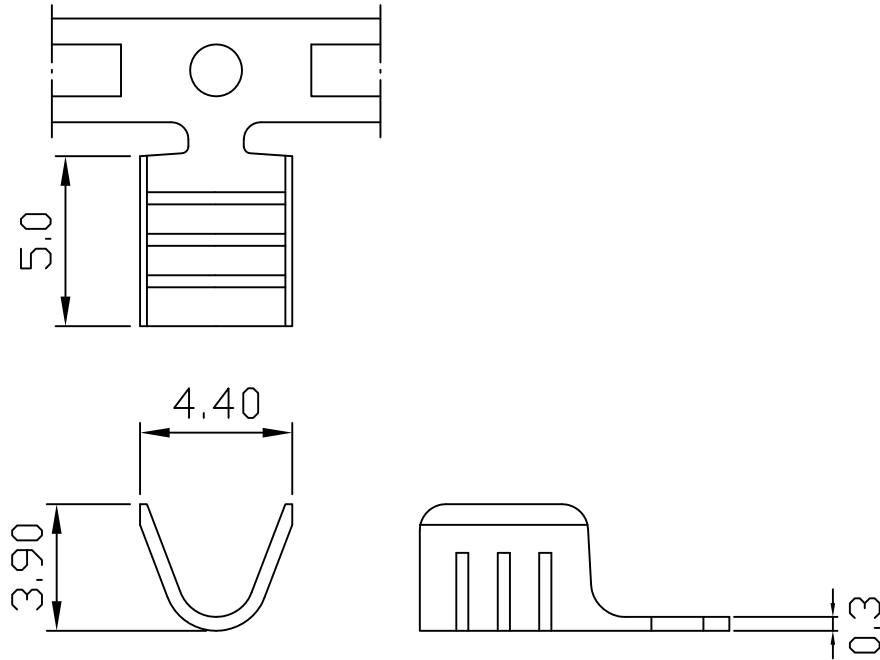


# *SPLICE TERMINAL SERIES*

unit:mm



PART/NO.	WIRE RANGE	THICKNESS	MATERIAL	FINISH	QTY/REEL
2161	#8-#14	0.4mm	BRASS	—	3000
565200	#8-#14	0.5mm	BRASS	—	3000