

CAMERA SERIES

unit:mm

Specifications

Current rating: 3A AC,DC

Voltage rating: 250V AC,DC

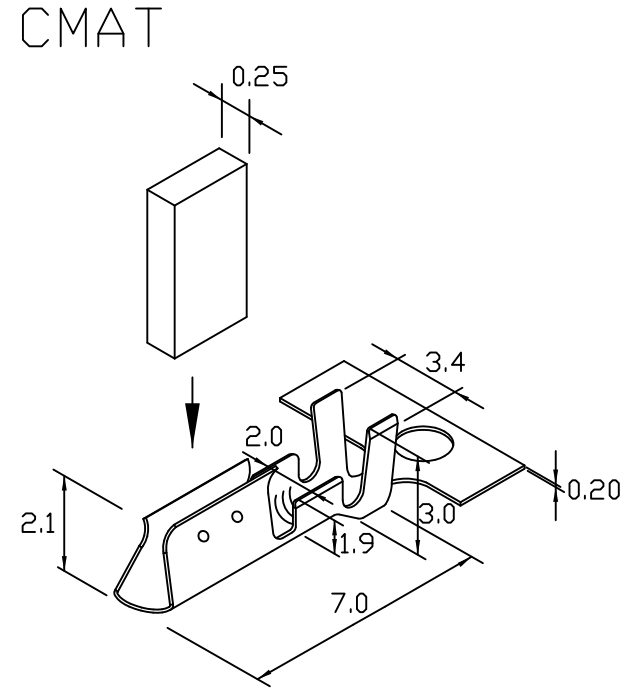
Temperature range: -25°C to $+85^{\circ}\text{C}$
(including temperature rise)

Contact resistance: Initial value/10m Ω Max.
After environmental testing/20m Ω Max.

Insulation resistance: 500m Ω MIN

Withstanding voltage: 1000V AC/minute

Applicable wire: AWG#22-24



Standards

| PART/NO. | WIRE RANGE | INSULATION O.D. | QTY/REEL | MATERIAL |
|----------|------------|-------------------------|----------|-----------------|
| CMAT | AWG#22-#24 | $\phi 1.2-2.2\text{mm}$ | 8000 | PHOSPHOR BRONZE |