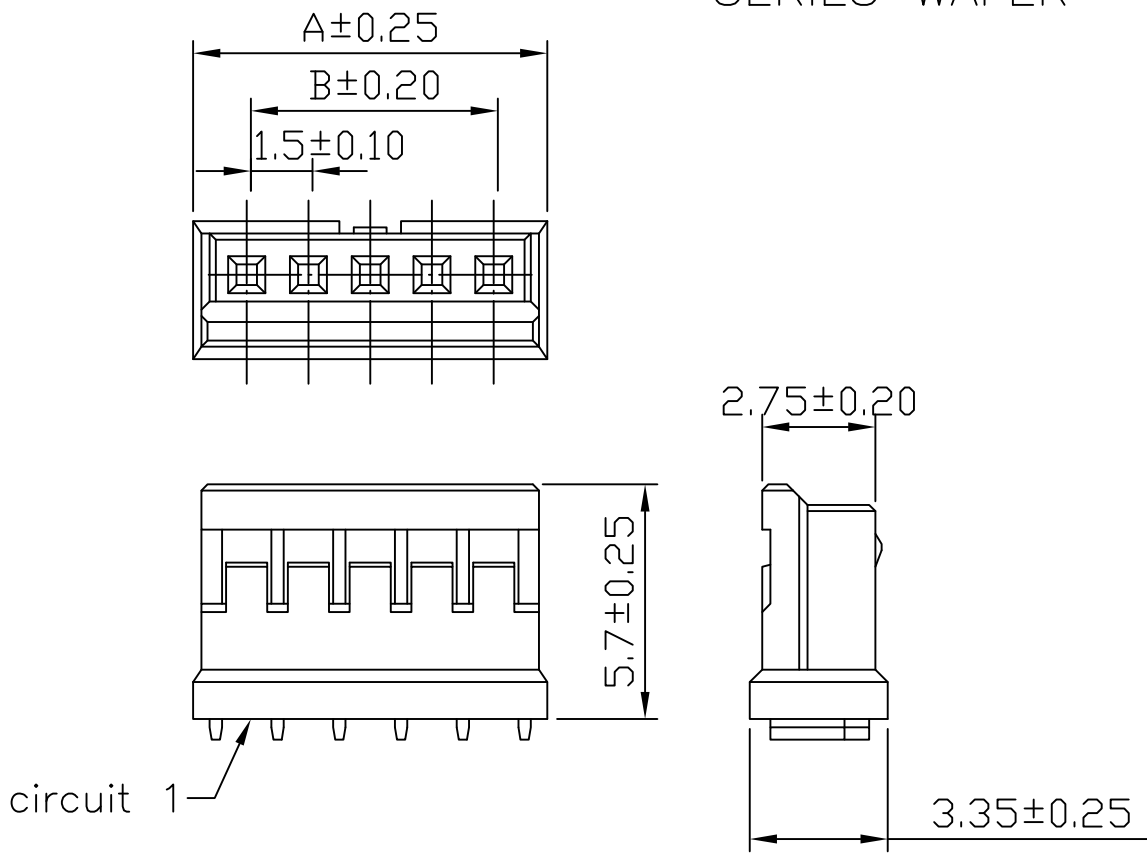


1501H .059" (1.50mm) PITCH HOUSING

unit:mm

Features:

- * MAT'L: NYLON 66 UL94V-0
- * MATES WITH: 1501 SERIES TERMINAL
- * ACCEPTS WITH: 1501PR-S&1501PS SERIES WAFER



PART NO.	A	B
1501H-02	4.1	1.5
1501H-03	5.6	3.0
1501H-04	7.1	4.5
1501H-05	8.6	6.0
1501H-06	10.1	7.5
1501H-07	11.6	9.0
1501H-08	13.1	10.5
1501H-09	14.6	12.0
1501H-10	16.1	13.5
1501H-11	17.6	15.0
1501H-12	19.1	16.5
1501H-13	20.6	18.0
1501H-14	22.1	19.5
1501H-15	23.6	21.0