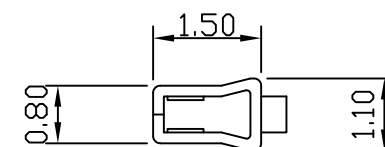
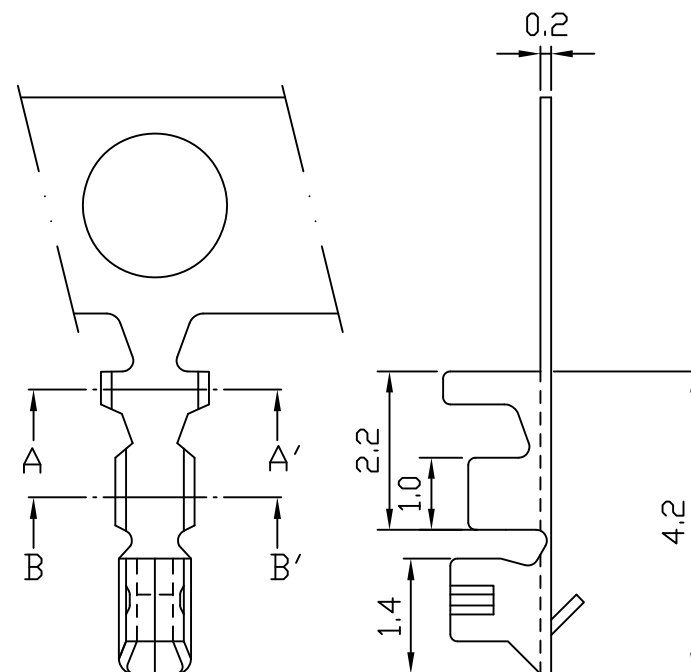
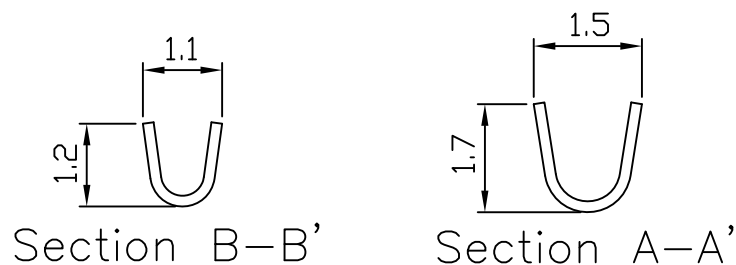


# 1510 1511 .059" (1.50mm) PITCH CRIMP TERMINAL

unit:mm

Features:

- \* THICKNESS: 0.2mm
- \* MAT'L: PHOSPHOR BRONZE TIN PLATED
- \* MATES WITH: 1510H SERIES HOUSING



PART NO.	WIRE RANGE	INSUATION O.D.	MATERIAL	FINISH	QTY/REEL
1510	AWG#28-#26	ø1.35mm max	PHOSPHOR BRONZE	Tin-plated	15,000
1511	AWG#32-#28	ø1.25mm max	PHOSPHOR BRONZE	Tin-plated	16,000