

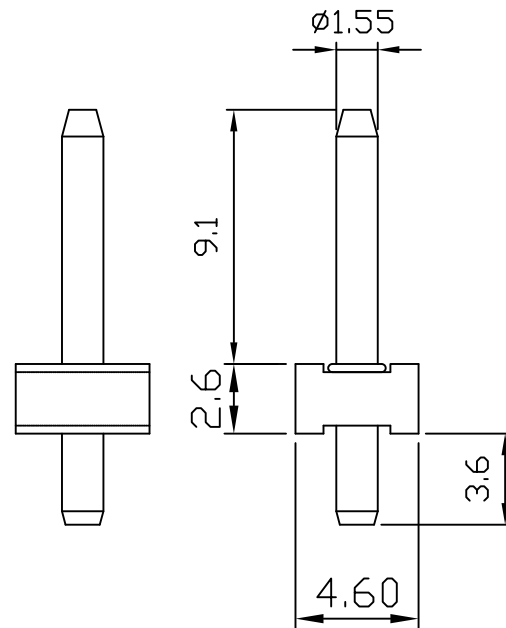
7551-01 Headers—Straight

unit:mm

Features:

- * MAT'L: BODY: NYLON 66 UL94V-2
PINS: BRASS TIN PLATED
- * MATES WITH 7551 SERIES WAFER
- * ACCEPTS WITH 7521 SERIES TERMINAL

7551-01



7551-PIN

