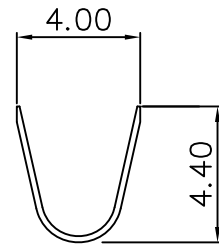


E010 CRIMP TERMINAL

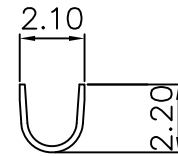
unit:mm

Features:

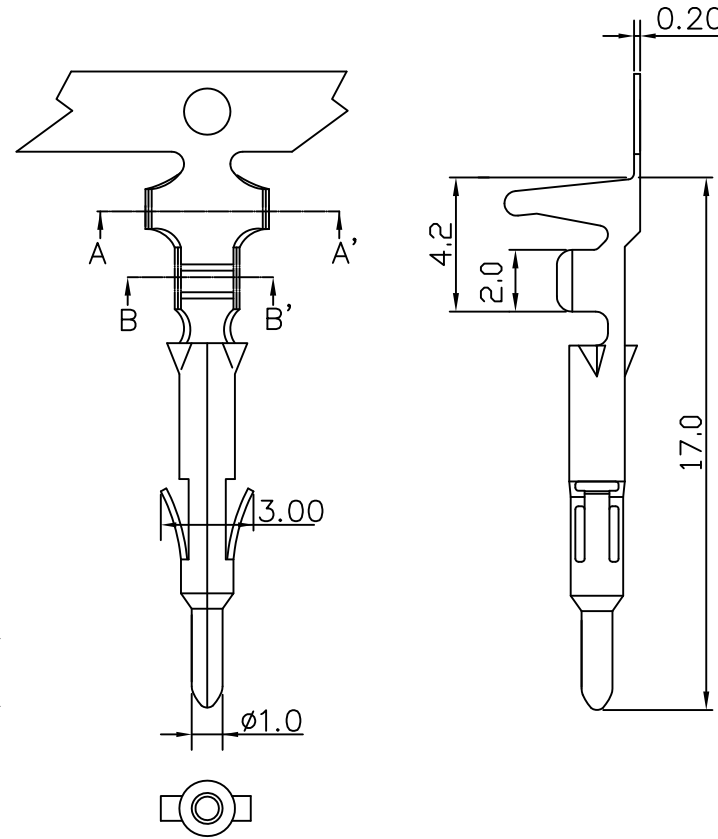
- * THICKNESS: 0.20mm
- * MAT'L: BRONZE TIN PLATED
- * ACCEPTS WITH: E010H HOUSING
- * MATES WITH: E110 TERMINAL
E110H HOUSING



SEC A-A



SEC B-B



PART NO.	WIRE RANGE	INSULATION O.D.	MATERIAL	FINISH	QTY/REEL
E010	AWG#24-#18	ø1.7-3.0mm	PHOSPHOR BRONZE	Tin-plated	4000