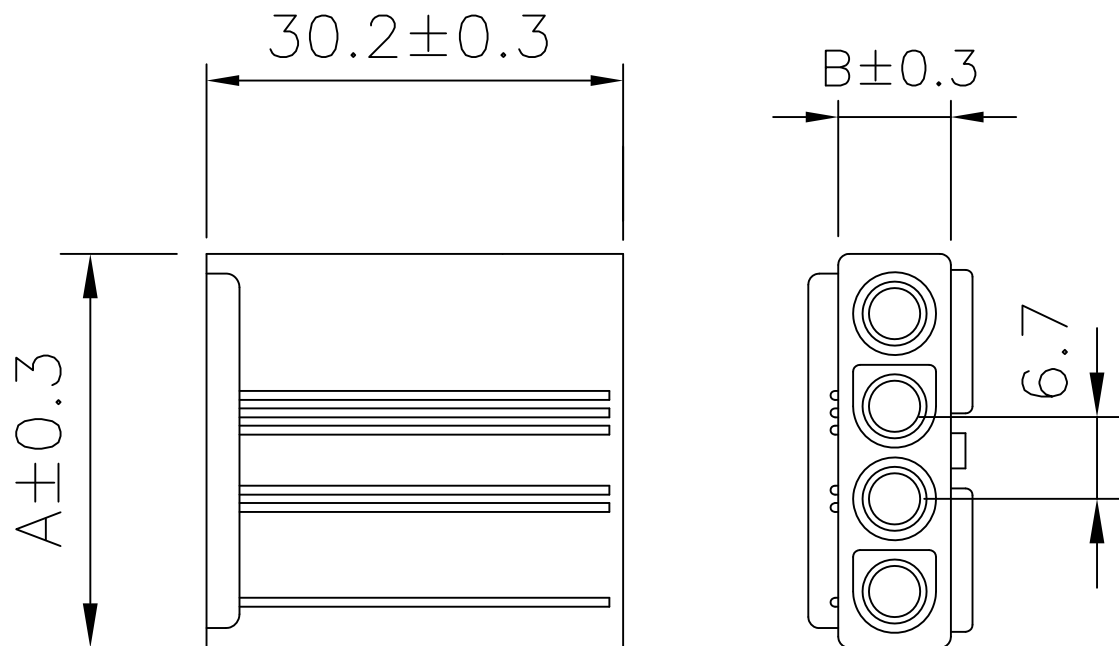


# *E023H-S*

unit:mm

Features:

- \* MAT'L: NYLON 66 UL94-V2
- \* MTES WITH: E023 & E123 SERIES TERMINAL



| PART NO.   | A    | B    |
|------------|------|------|
| E023H-1X1S | 8.1  | 8.1  |
| E023H-1X2S | 14.7 | 8.2  |
| E023H-1X3S | 21.7 | 8.2  |
| E023H-1X4S | 28.2 | 8.2  |
| E023H-3X3S | 22.6 | 21.7 |
| E023H-3X4S | 28   | 21.7 |