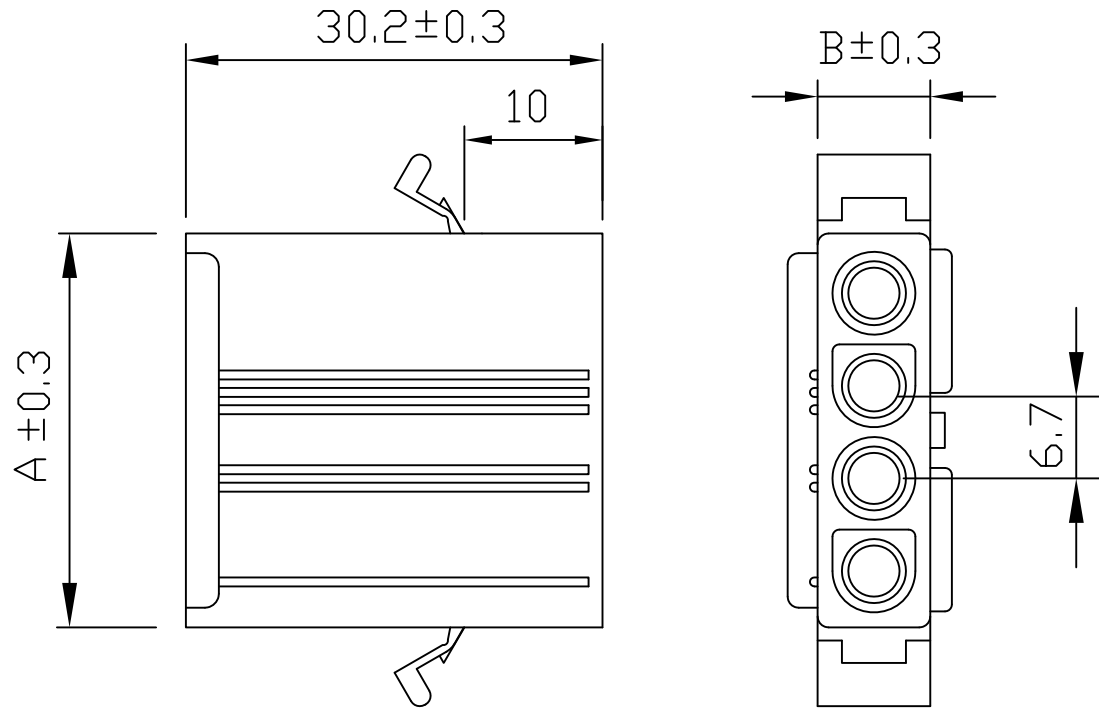


# *E023H-A*

Features:

unit:mm

- \* MAT'L: NYLON 66 UL94-V2
- \* MTES WITH: E023 & E123 SERIES TERMINAL



PART NO.	A	B
E023H-1X1A	8.1	8.1
E023H-1X2A	14.7	8.2
E023H-1X3A	21.7	8.2
E023H-1X4A	28.2	8.2
E023H-3X3A	22.6	21.7
E023H-3X4A	28	21.7