

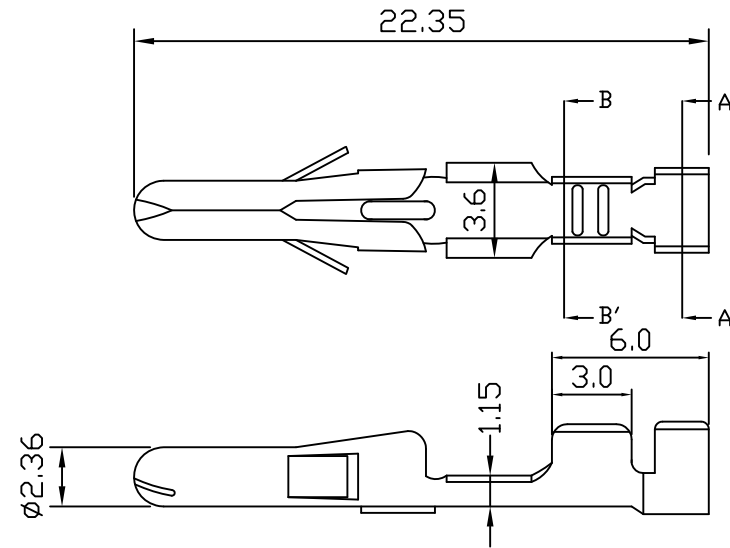
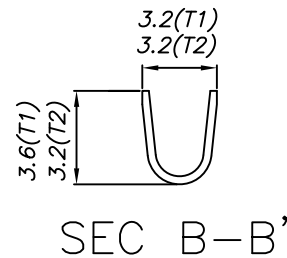
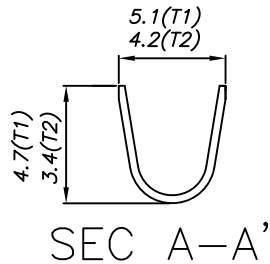
E023 CRIMP TERMINAL

unit:mm

E023

Features:

- * THICKNESS: 0.25mm
- * MAT'L: BRASS TIN PLATED
- * MATES WITH: E023 SERIS TERMINAL
- * MATES WITH: E123H SERIES HOUSING



PART NO.	WIRE RANGE	INSULATION O.D.	MATERIAL	FINISH	QTY/REEL
E023T1	AWG#14-#20	$\phi 3.6\text{mm}$ MAX	BRASS	Tin-plated	3500
E023T2	AWG#18-#22	$\phi 2.8\text{mm}$ MAX	BRASS	Tin-plated	5000