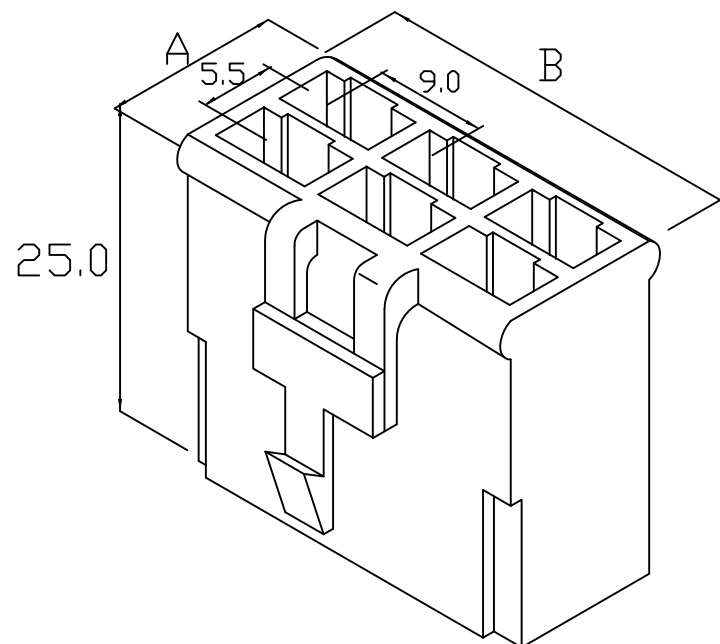


E761-S SERIES

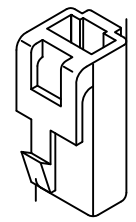
Features:

- * MAT'L: NYLON 66 UL 94V-2
- * MATES WITH E761 SERIES TERMINAL
- * MATES WITH: E661-S SERIES HOUSING

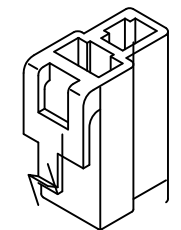
unit:mm



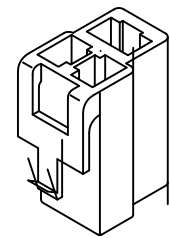
E761H-01S



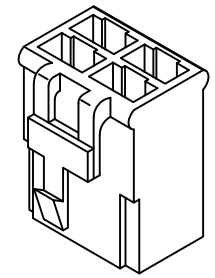
E761H-02S



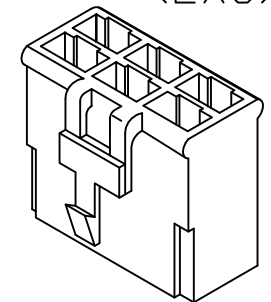
E761H-03S



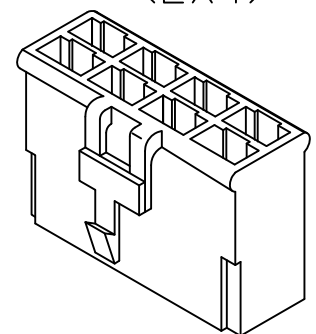
E761H-04S
(2X2)



E761H-06S
(2X3)



E761H-08S
(2X4)



PRAT NO	A	B
E761H-01S	6.5	10.0
E761H-02S	15.3	10.0
E761H-03S	16.5	13.0
E761H-04S(2X2)	12.0	19.0
E761H-06S(2X3)	12.0	28.0
E761H-08S(2X4)	12.0	37.0